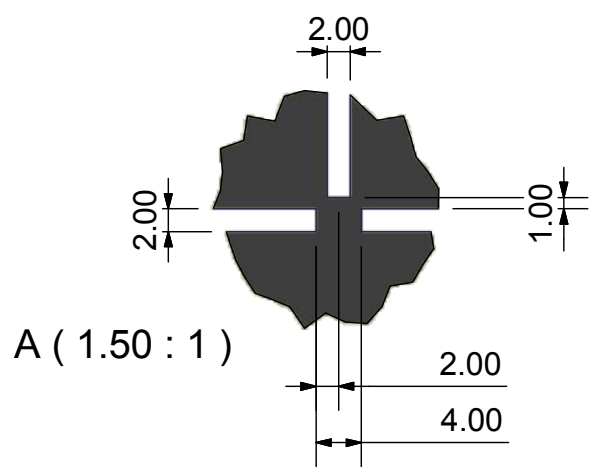
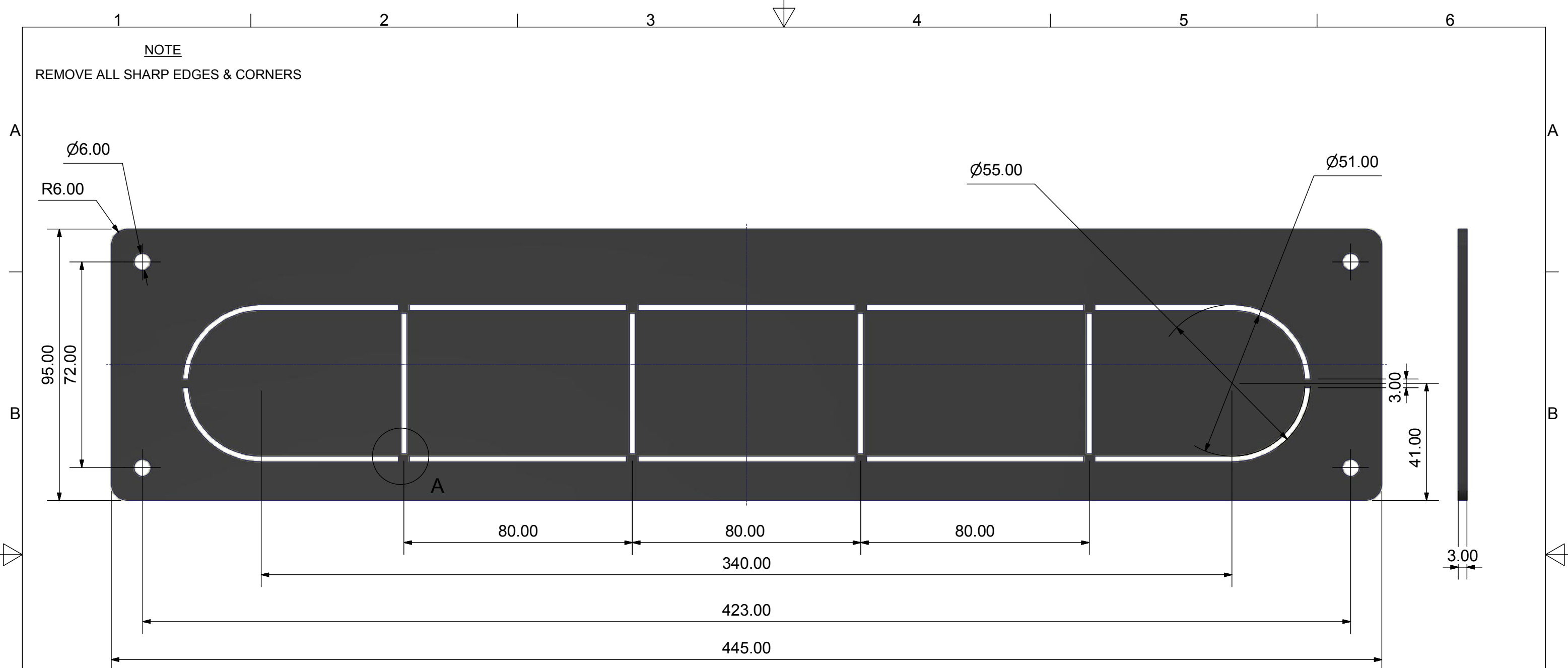


NOTE
REMOVE ALL SHARP EDGES & CORNERS



Material:
3mm thick DARVIC or similar

Revision History			
Issue	Date	Change Details	Intials
1	30.08.17	First Issue	TSS
2	02.01.18	Material between slots reduced	TSS

Material See Note		Finish As Supplied		TOLERANCE UNLESS OTHERWISE STATED TO BE - ± 0.25		ALL DIMENSIONS IN MM UNLESS OTHERWISE STATED.	
 ABB Limited Tower Court, Courtaulds Way Coventry, CV6 5NX TEL - 02476 368 500 FAX - 02476 364 499		Scale 1 : 1	A3	Drawn TSS	Title DARVIC Plate for Protecta Plus		Sheet No 1
				Checked xxxx	Drawing No EPP-TRADT		Issue 2
		Date 30.08.17					