

# Termination resistor - SAC-5P-M12MSB CAN TR - 1401999


Please be informed that the data shown in this PDF Document is generated from our Online Catalog. Please find the complete data in the user's documentation. Our General Terms of Use for Downloads are valid (<http://phoenixcontact.com/download>)



Terminating resistor CANopen®/DeviceNet™ M12



## Key Commercial Data

Packing unit	5 pc
Minimum order quantity	100 pc
GTIN	 4 046356 579025
GTIN	4046356579025
Weight per Piece (excluding packing)	11.320 g
Custom tariff number	85332100
Country of origin	Germany
Note	Made to Order (non-returnable)

## Technical data

### Ambient conditions

Ambient temperature (operation)	-25 °C ... 90 °C (Plug)
Degree of protection	IP65
	IP67
	IP68

### General

Rated current at 40°C	4 A
	45 mA ( $I_{eff}$ )
Rated voltage	48 V AC
	60 V DC
	5 V <sub>rms</sub>
Termination resistor	120 Ω ±1 %
Power consumption	≤ 0.25 W

# Termination resistor - SAC-5P-M12MSB CAN TR - 1401999

## Technical data

### General

Number of positions	5
Color handle area	black
Coding	B - inverse
Status display	No
Overvoltage category	II
Degree of pollution	3
Insertion/withdrawal cycles	≥ 100

### Material

Flammability rating according to UL 94	HB
Contact material	CuSn
Contact surface material	Ni/Au
Contact carrier material	TPU GF
Material of grip body	TPU, hardly inflammable, self-extinguishing
Material, knurls	Zinc die-cast, nickel-plated

### Cable

#### Standards and Regulations

Flammability rating according to UL 94	HB
--	----

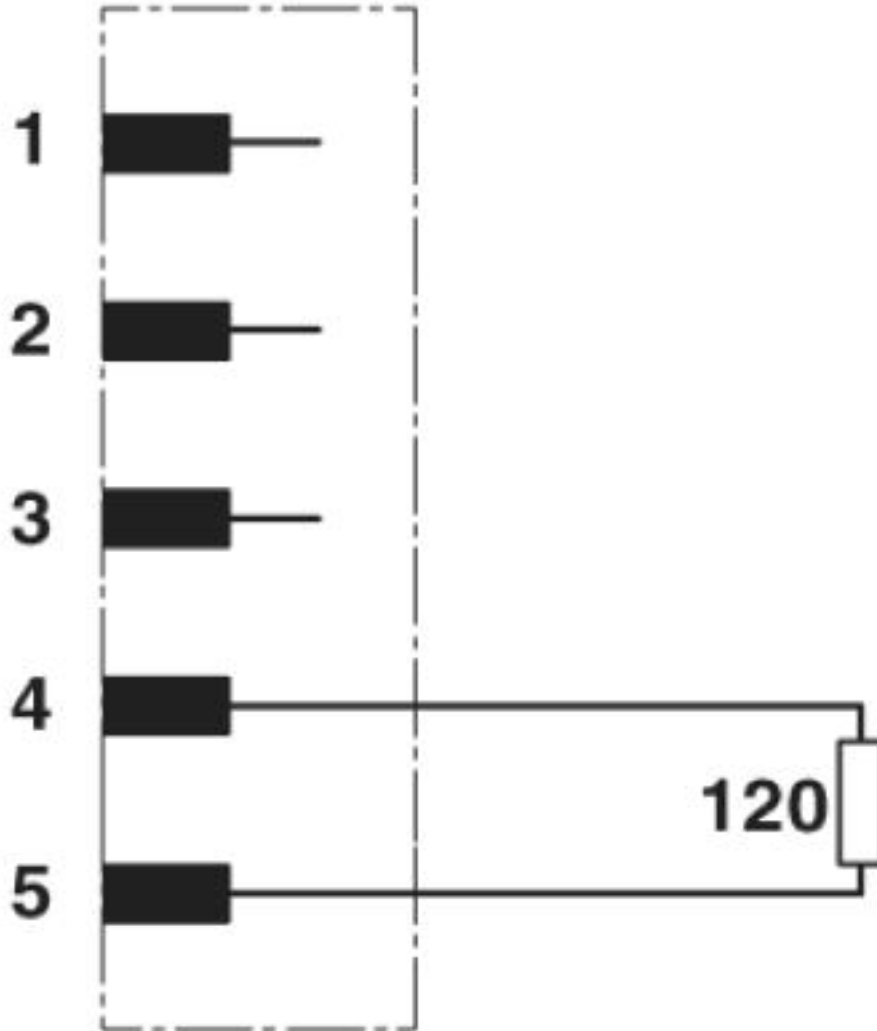
#### Environmental Product Compliance

China RoHS	Environmentally Friendly Use Period = 50
	For details about hazardous substances go to tab "Downloads", Category "Manufacturer's declaration"

## Drawings

# Termination resistor - SAC-5P-M12MSB CAN TR - 1401999

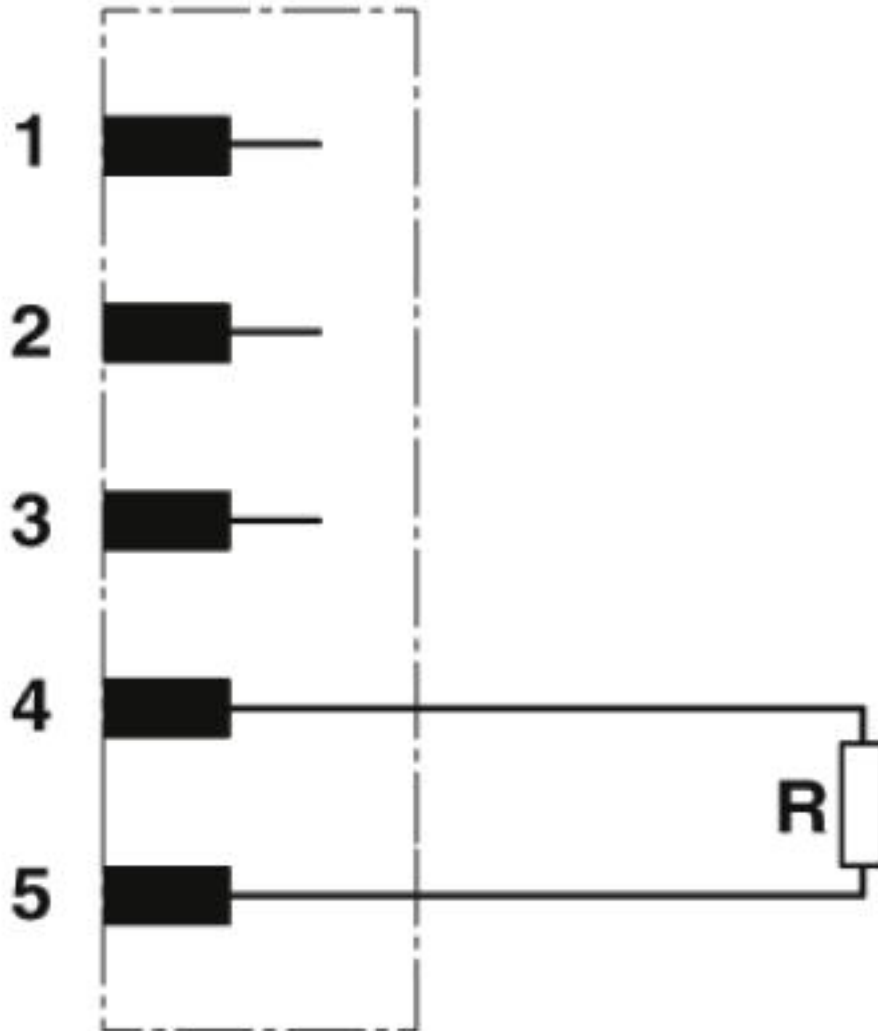
Circuit diagram



Internal wiring of connections

## Termination resistor - SAC-5P-M12MSB CAN TR - 1401999

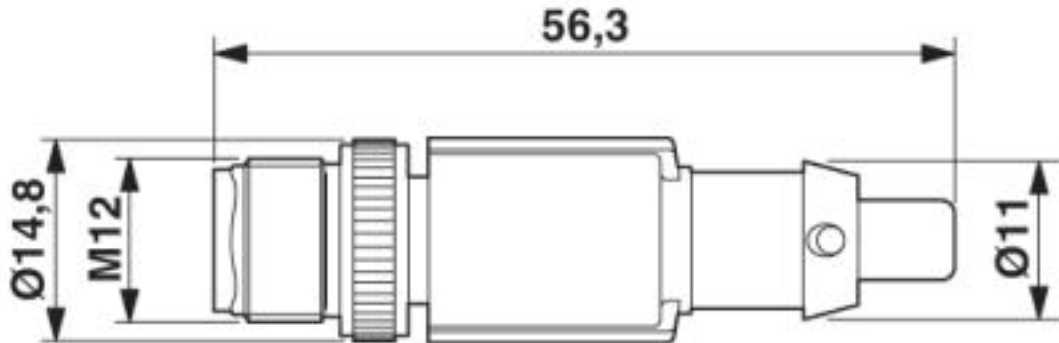
Circuit diagram



Contact assignment of the termination resistor; for resistance values, see technical data

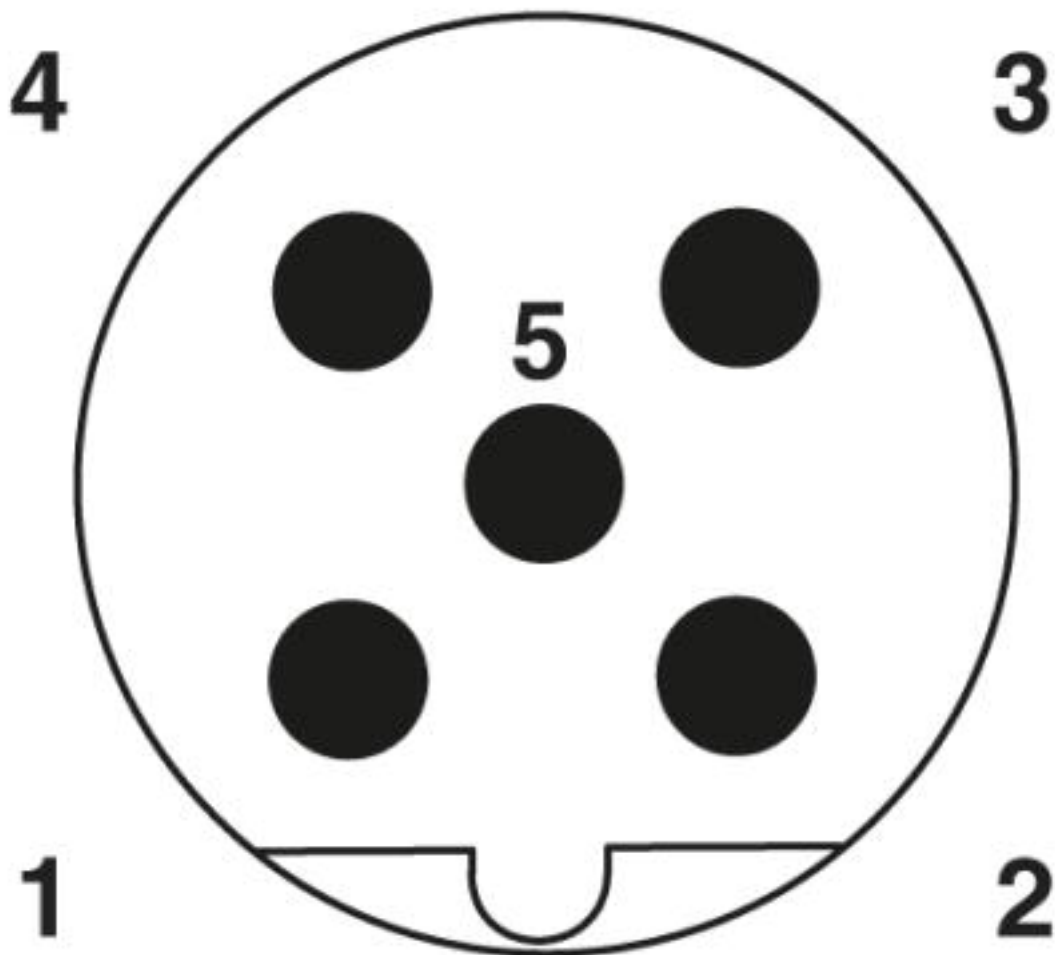
# Termination resistor - SAC-5P-M12MSB CAN TR - 1401999

Dimensional drawing



Plug, M12 x 1, straight, shielded

Schematic diagram



Pin assignment M12 male connector, 5-pos., B-coded, male side

# Termination resistor - SAC-5P-M12MSB CAN TR - 1401999

## Classifications

### eCl@ss

eCl@ss 4.0	27060300
eCl@ss 4.1	27060300
eCl@ss 5.0	19070400
eCl@ss 5.1	19070400
eCl@ss 6.0	19070400
eCl@ss 7.0	19070403
eCl@ss 8.0	19070403
eCl@ss 9.0	19070403

### ETIM

ETIM 3.0	EC001855
ETIM 4.0	EC001855
ETIM 5.0	EC000448
ETIM 6.0	EC000448
ETIM 7.0	EC000448

### UNSPSC

UNSPSC 6.01	31251501
UNSPSC 7.0901	31251501
UNSPSC 11	31251501
UNSPSC 12.01	31251501
UNSPSC 13.2	32121617
UNSPSC 18.0	32121617
UNSPSC 19.0	32121617
UNSPSC 20.0	32121617
UNSPSC 21.0	32121617

## Approvals

### Approvals

---

Approvals

EAC / EAC

---


Ex Approvals

---

### Approval details

## Termination resistor - SAC-5P-M12MSB CAN TR - 1401999

### Approvals

EAC		RU C- DE.BL08.B.00286
-----	---	--------------------------

EAC		RU C- DE.BL08.B.00511
-----	---	--------------------------