

## Patch cable - NBC-R4AC/0,2-93K/R4AC - 1412097

Please be informed that the data shown in this PDF Document is generated from our Online Catalog. Please find the complete data in the user's documentation. Our General Terms of Use for Downloads are valid (<http://phoenixcontact.com/download>)




Sercos III patch cable, shielded, star quad, AWG 22 stranded (7-wire), RAL 3020 (traffic red), RJ45 plug/IP 20, straight, to RJ45 plug/IP20, straight, length: 0.3 m

Sercos III patch cable



### Key Commercial Data

Packing unit	1 pc
Minimum order quantity	50 pc
GTIN	 4 0 4 6 3 5 6 9 4 9 4 9 1
GTIN	4046356949491
Weight per Piece (excluding packing)	37.600 g
Custom tariff number	85444210
Country of origin	Poland
Note	Made to Order (non-returnable)

### Technical data

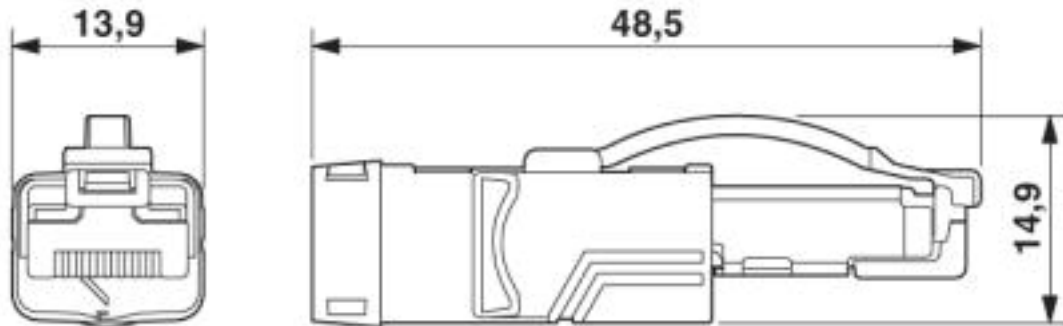
#### Environmental Product Compliance

China RoHS	Environmentally friendly use period: unlimited = EFUP-e
	No hazardous substances above threshold values

### Drawings

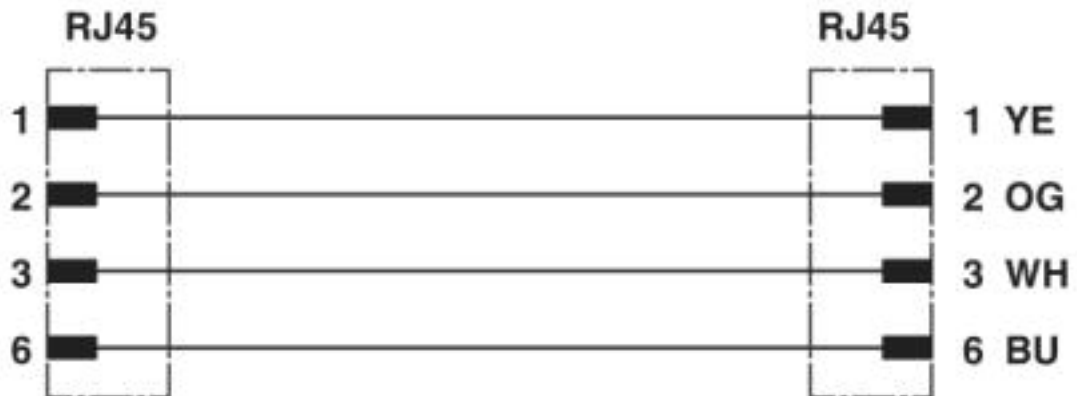
# Patch cable - NBC-R4AC/0,2-93K/R4AC - 1412097

Dimensional drawing



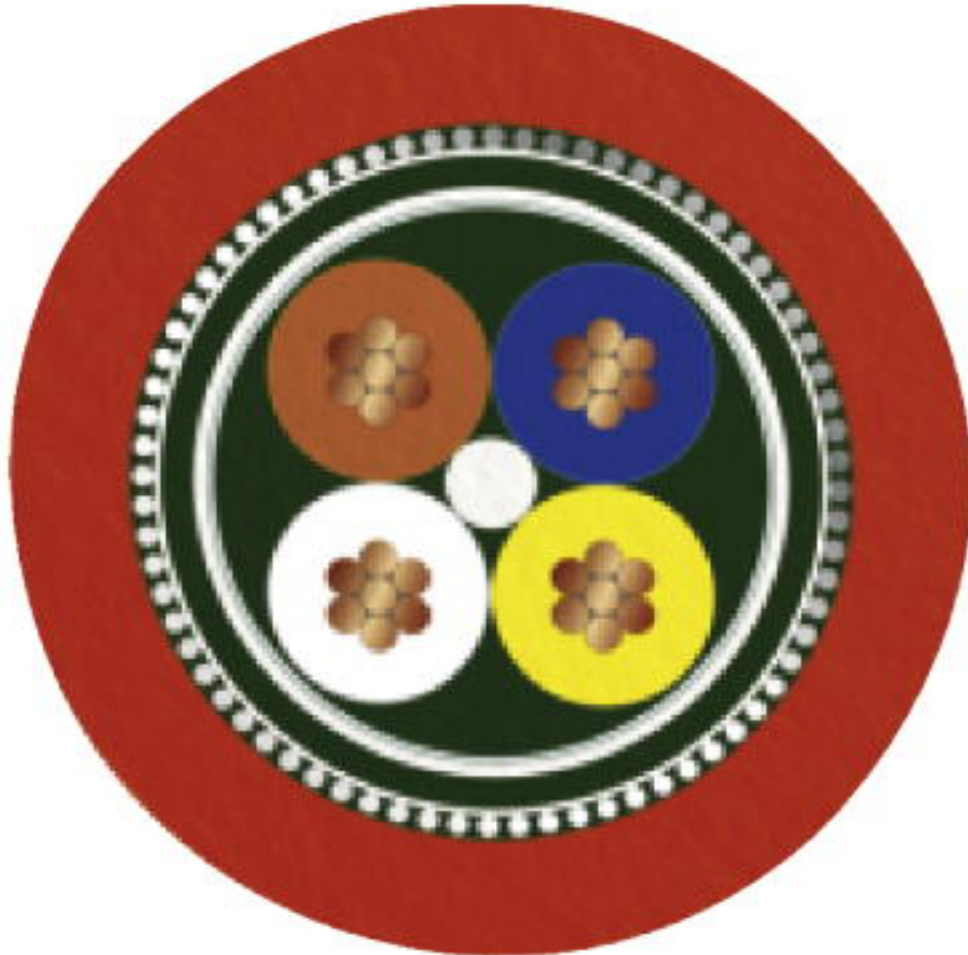
RJ45 connector, IP20

Circuit diagram



# Patch cable - NBC-R4AC/0,2-93K/R4AC - 1412097

Cable cross section



Sercos III [93K]

## Classifications

eCl@ss

eCl@ss 4.0	24010400
eCl@ss 4.1	24010400
eCl@ss 5.0	19030300
eCl@ss 5.1	19030300
eCl@ss 6.0	27061800
eCl@ss 7.0	27060308
eCl@ss 8.0	27060308
eCl@ss 9.0	27060308

# Patch cable - NBC-R4AC/0,2-93K/R4AC - 1412097

## Classifications

### ETIM

ETIM 4.0	EC002498
ETIM 5.0	EC002599
ETIM 6.0	EC001262
ETIM 7.0	EC001262

### UNSPSC

UNSPSC 13.2	26121604
UNSPSC 18.0	26121604
UNSPSC 19.0	26121604
UNSPSC 20.0	26121604
UNSPSC 21.0	26121604

## Approvals

### Approvals

---

### Approvals

### EAC

---

### Ex Approvals

---

## Approval details

EAC		19060508
-----	---	----------

---