

## Socket - SD-F/SP/LA - 2963349


Please be informed that the data shown in this PDF Document is generated from our Online Catalog. Please find the complete data in the user's documentation. Our General Terms of Use for Downloads are valid (<http://phoenixcontact.com/download>)



Control cabinet socket, for mounting on DIN rails and in the service interface, with spring-cage connection, with light indicator, housing color: green, national version: F



### Key Commercial Data

Packing unit	5 pc
Minimum order quantity	5 pc
GTIN	 4 017918 190705
GTIN	4017918190705
Weight per Piece (excluding packing)	78.570 g
Custom tariff number	85366990
Country of origin	Greece
Note	Made to Order (non-returnable)

### Technical data

#### Dimensions

Width	45 mm
Height	75 mm
Depth	70.5 mm

#### Ambient conditions

Ambient temperature (operation)	-20 °C ... 60 °C
Ambient temperature (storage/transport)	-20 °C ... 60 °C

#### General

Nominal voltage $U_N$	250 V
Nominal current $I_N$	16 A
Status display	Glow lamp or LED with preresistor
Contact material	CuZn37

# Socket - SD-F/SP/LA - 2963349

## Technical data

### General

For country-specific use in	F
Color	green
Insulating material	PA
Standards/regulations	IEC 83
	DIN 49440-1

### Connection data

Conductor cross section solid min.	0.2 mm <sup>2</sup>
Conductor cross section solid max.	4 mm <sup>2</sup>
Conductor cross section flexible min.	0.2 mm <sup>2</sup>
Conductor cross section flexible max.	2.5 mm <sup>2</sup>
Conductor cross section AWG min.	24
Conductor cross section AWG max.	12
Connection method	Spring-cage connection
Stripping length	8 mm
Screw thread	M3

### Standards and Regulations

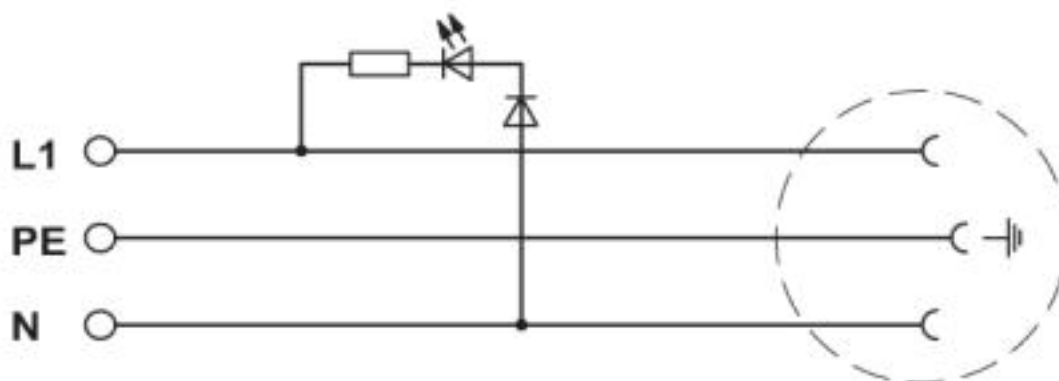
Standards/regulations	IEC 83
	DIN 49440-1

### Environmental Product Compliance

	Lead 7439-92-1
China RoHS	Environmentally Friendly Use Period = 50
	For details about hazardous substances go to tab "Downloads", Category "Manufacturer's declaration"

## Drawings

Circuit diagram



## Socket - SD-F/SP/LA - 2963349

### Classifications

#### eCl@ss

eCl@ss 4.0	27142300
eCl@ss 4.1	27142300
eCl@ss 5.0	27142300
eCl@ss 5.1	27142300
eCl@ss 6.0	27142300
eCl@ss 7.0	27142305
eCl@ss 8.0	27142305
eCl@ss 9.0	27142305

#### ETIM

ETIM 2.0	EC001325
ETIM 3.0	EC001325
ETIM 4.0	EC001663
ETIM 5.0	EC001663
ETIM 6.0	EC001663
ETIM 7.0	EC001663

#### UNSPSC

UNSPSC 6.01	30211806
UNSPSC 7.0901	39121406
UNSPSC 11	39121406
UNSPSC 12.01	39121406
UNSPSC 13.2	39121406
UNSPSC 19.0	39121406