

## Cable connector - HC-26S1N8A80DU - 1623256


Please be informed that the data shown in this PDF Document is generated from our Online Catalog. Please find the complete data in the user's documentation. Our General Terms of Use for Downloads are valid (<http://phoenixcontact.com/download>)



Cable connector, straight, Screw locking, M27, number of positions: 26, type of contact: Socket, Crimp connection, shielded: yes, cable diameter range: 2 mm ... 14.5 mm



### Key Commercial Data

Packing unit	12 pc
Minimum order quantity	12 pc
GTIN	 4 055626 272993
GTIN	4055626272993
Weight per Piece (excluding packing)	89.000 g
Custom tariff number	85366990
Country of origin	Germany
Note	Made to Order (non-returnable)

### Technical data

#### General

Note	Order information: Order crimp contacts Ø 1 mm separately
Type of locking	Screw locking
Direction of rotation of contact chamber numbering	Standard
Coding	N
Contact connection method	Crimp connection
Type of contacts	Socket
Number of positions	26
Contact diameter of power contacts	1 mm
Rated current for power contacts	8 A
Conductor entry	2 mm ... 14.5 mm
Pg housing screw connection	none

#### Ambient conditions

## Cable connector - HC-26S1N8A80DU - 1623256

### Technical data

#### Ambient conditions

Ambient temperature	-20 °C ... 125 °C
Degree of protection	IP67, when plugged in

#### Specifications according to DIN EN 61984:2001

Installation height max.	2000 m
Nominal / operating voltage of power contacts	150 V
Rated surge voltage of power contacts	1.5 kV
Overvoltage category of power contacts	II
Degree of pollution of power contacts	3

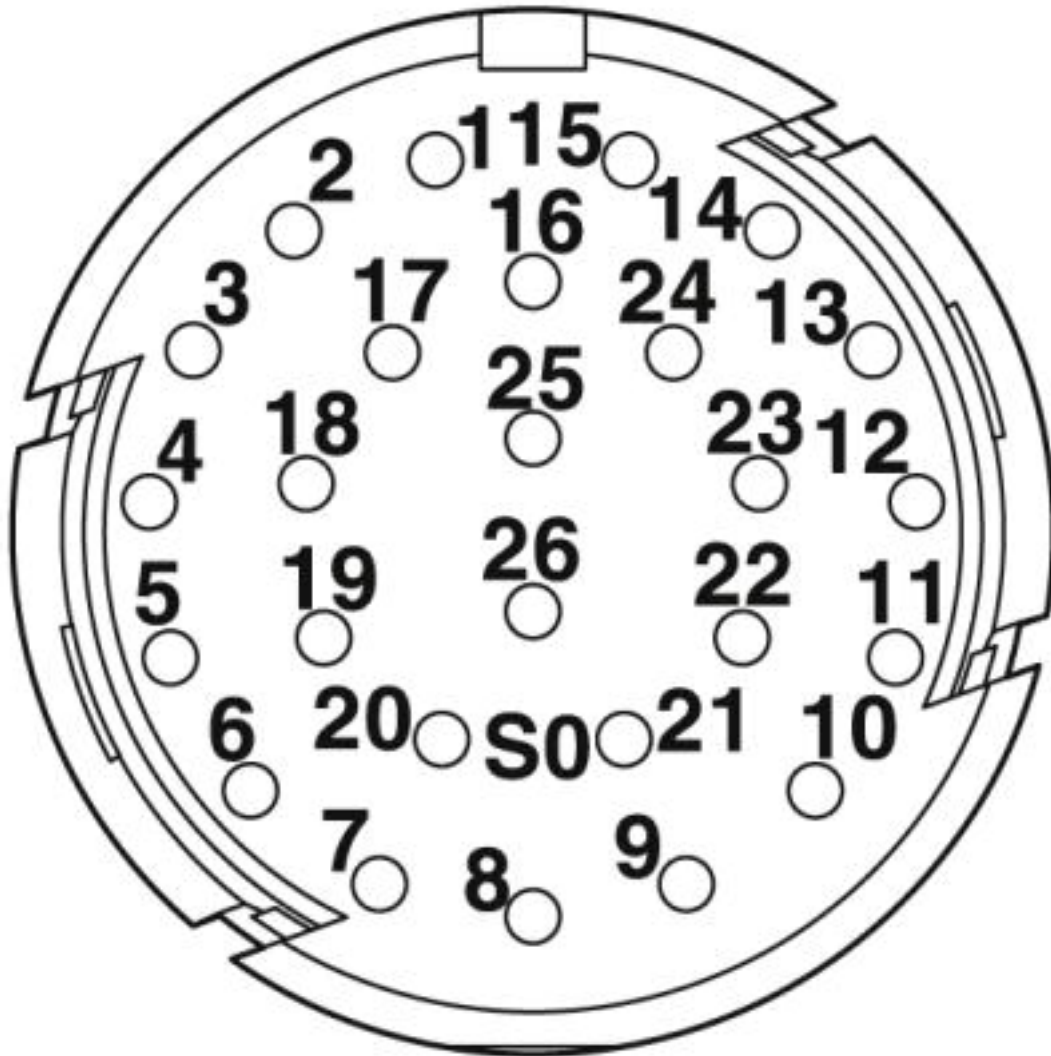
#### Environmental Product Compliance

	Lead 7439-92-1
China RoHS	Environmentally Friendly Use Period = 50
	For details about hazardous substances go to tab "Downloads", Category "Manufacturer's declaration"

### Drawings

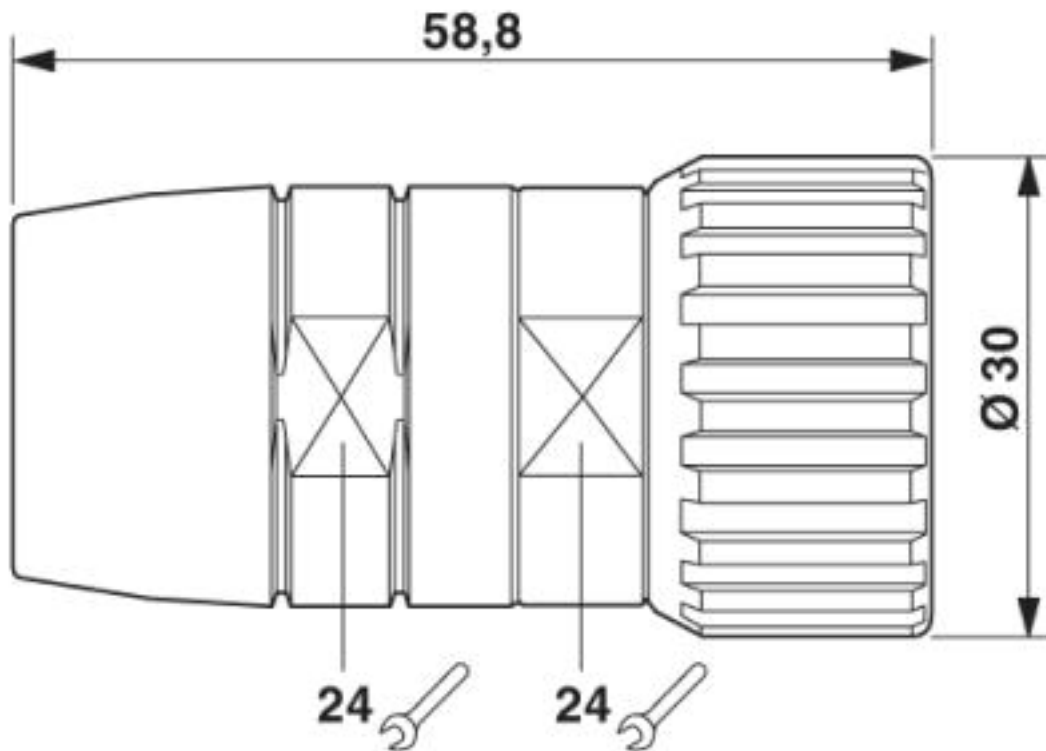
# Cable connector - HC-26S1N8A80DU - 1623256

Schematic diagram



# Cable connector - HC-26S1N8A80DU - 1623256

Dimensional drawing



## Classifications

### eCl@ss

eCl@ss 4.0	27260700
eCl@ss 4.1	27260700
eCl@ss 5.0	27260700
eCl@ss 5.1	27260700
eCl@ss 6.0	27260700
eCl@ss 7.0	27440102
eCl@ss 8.0	27440102
eCl@ss 9.0	27440103

### ETIM

ETIM 3.0	EC001121
ETIM 4.0	EC002635
ETIM 5.0	EC002635
ETIM 6.0	EC002061

### UNSPSC

UNSPSC 6.01	43172015
UNSPSC 7.0901	43201404
UNSPSC 11	43172015

## Cable connector - HC-26S1N8A80DU - 1623256

### Classifications

#### UNSPSC

UNSPSC 12.01	43201404
UNSPSC 13.2	39121413
UNSPSC 18.0	39121413
UNSPSC 19.0	39121413
UNSPSC 20.0	39121413
UNSPSC 21.0	39121413

### Accessories

#### Accessories

##### Crimp contact

Crimp contact - HC-11S2000 - 1623429



Crimp contact, turned, contact diameter: 1 mm, crimp range: 0.08 mm<sup>2</sup> ... 0.22 mm<sup>2</sup>

---

Crimp contact - HC-12S2000 - 1623431



Crimp contact, turned, contact diameter: 1 mm, crimp range: 0.14 mm<sup>2</sup> ... 0.56 mm<sup>2</sup>

---

Crimp contact - HC-1KS2000 - 1623433



Crimp contact, turned, contact diameter: 1 mm, crimp range: 0.5 mm<sup>2</sup> ... 1 mm<sup>2</sup>

---