

Cable connector - RC-09S1N12T049 - 1596211

Please be informed that the data shown in this PDF Document is generated from our Online Catalog. Please find the complete data in the user's documentation. Our General Terms of Use for Downloads are valid (<http://phoenixcontact.com/download>)


Cable connector, RC, angled, shielded: yes, Screw locking, M23, No. of pos.: 8+1, type of contact: Socket, Solder connection, cable diameter range: 6.5 mm ... 7.5 mm



The figure shows the 12-pos. product version



Key Commercial Data

Packing unit	8 pc
Minimum order quantity	8 pc
GTIN	 4 046356 210188
GTIN	4046356210188
Weight per Piece (excluding packing)	138.540 g
Custom tariff number	85366990
Country of origin	Germany
Note	Made to Order (non-returnable)

Technical data

Data of the insulating body

Coding	N
Insertion/withdrawal cycles mechanical	50
Contact connection method	Solder connection
Type of contacts	Socket
Application	Signal
Number of positions	9
Direction of rotation	Standard
Contact diameter of power contacts	2 mm
Litz wire cross section of power contacts min.	0.08 mm ²
Litz wire cross section of power contacts max.	2.5 mm ²
Rated current for power contacts	20 A

Cable connector - RC-09S1N12T049 - 1596211

Technical data

Data of the insulating body

Rated voltage of power contact	300 V
Rated surge voltage	2.5 kV
Overvoltage category	II
Degree of pollution	3
Contact diameter of signal contacts	1 mm
Litz wire cross section of signal contacts min.	0.08 mm ²
Litz wire cross section of signal contacts max.	1 mm ²
Nominal current per signal contact	8 A
Rated voltage of signal contact	300 V
Overvoltage category	II
Degree of pollution	3

Housing data

Note	Order information: Order contact inserts and cable clamping/shield accessories separately
Housing material	Metal
Type of locking	Screw locking
Degree of protection (when plugged in)	IP67
Thread type	M23

Cable seal data

Cable diameter	6.5 mm ... 7.5 mm
Litz wire bundle diameter	5.5 mm

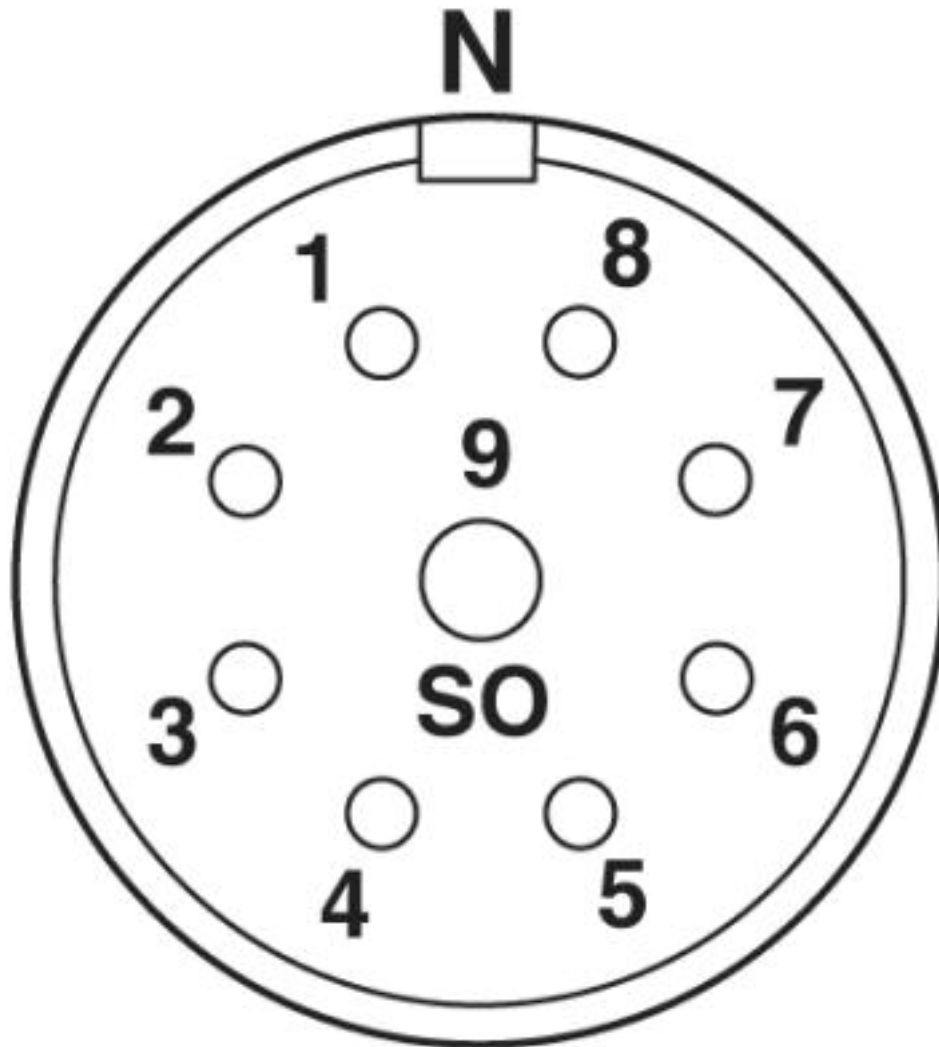
Environmental Product Compliance

	Lead 7439-92-1
China RoHS	Environmentally Friendly Use Period = 50
	For details about hazardous substances go to tab "Downloads", Category "Manufacturer's declaration"

Drawings

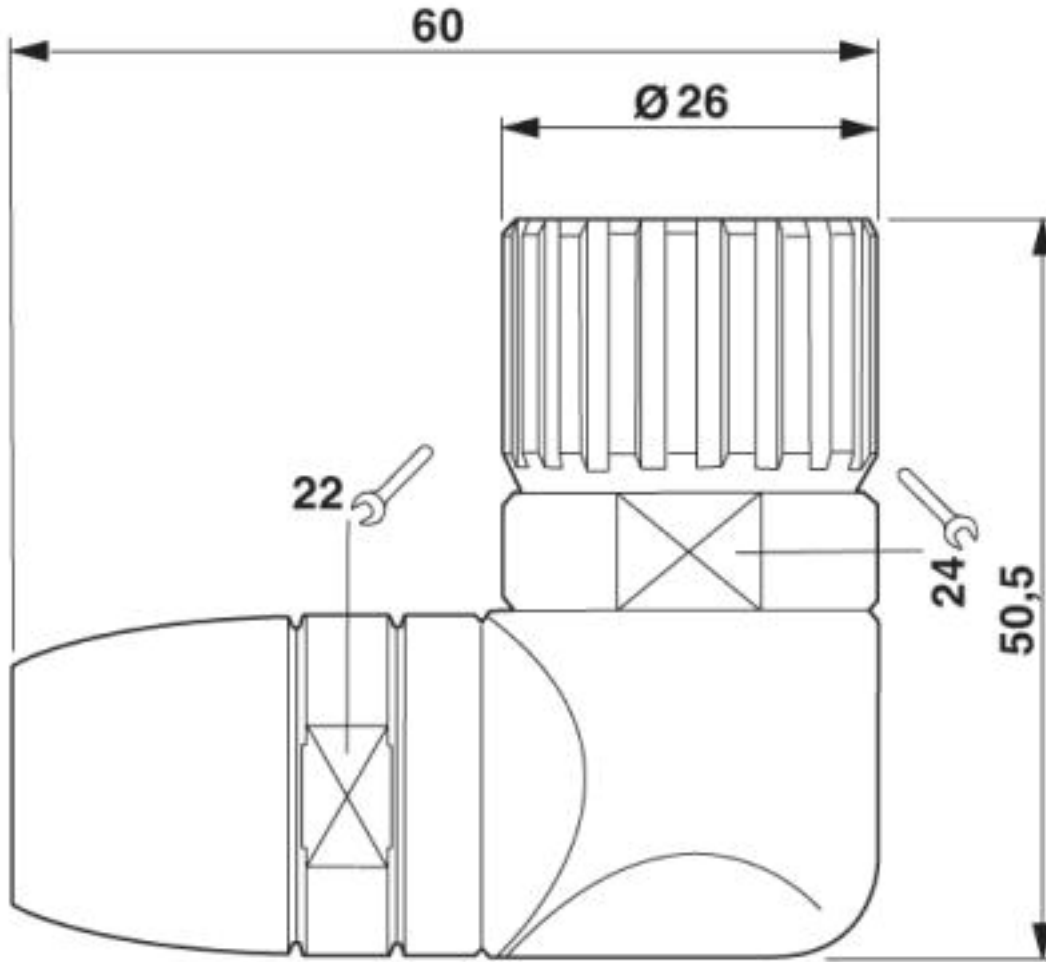
Cable connector - RC-09S1N12T049 - 1596211

Schematic diagram



Cable connector - RC-09S1N12T049 - 1596211

Dimensional drawing



Classifications

eCl@ss

eCl@ss 4.0	27260700
eCl@ss 4.1	27260700
eCl@ss 5.0	27260700
eCl@ss 5.1	27260700
eCl@ss 6.0	27260700
eCl@ss 7.0	27440102
eCl@ss 8.0	27440102
eCl@ss 9.0	27440103

ETIM

ETIM 3.0	EC001121
ETIM 4.0	EC001121
ETIM 5.0	EC001121

Cable connector - RC-09S1N12T049 - 1596211

Classifications

ETIM

ETIM 6.0	EC002061
----------	----------

UNSPSC

UNSPSC 6.01	43172015
UNSPSC 7.0901	43201404
UNSPSC 11	43172015
UNSPSC 12.01	43201404
UNSPSC 13.2	39121413
UNSPSC 18.0	39121413
UNSPSC 19.0	39121413
UNSPSC 20.0	39121413
UNSPSC 21.0	39121413

Approvals

Approvals

Approvals

EAC

Ex Approvals

Approval details

EAC		B.01742
-----	---	---------
