

## Distributor - SAC-ASI-J-Y-N-M12FS - 1405619


Please be informed that the data shown in this PDF Document is generated from our Online Catalog. Please find the complete data in the user's documentation. Our General Terms of Use for Downloads are valid (<http://phoenixcontact.com/download>)



AS-Interface distributor with a high degree of protection, for a branch from one flat-ribbon conductor to one straight, A-coded, 2-pos. M12 socket



### Key Commercial Data

Packing unit	1 pc
GTIN	 4 0 4 6 3 5 6 7 5 4 9 5 8
GTIN	4046356754958
Weight per Piece (excluding packing)	44.200 g
Custom tariff number	85366990
Country of origin	Vietnam

### Technical data

#### Ambient conditions

Degree of protection	IP65
	IP67
Ambient temperature (operation)	-25 °C ... 75 °C
Ambient temperature (storage/transport)	-25 °C ... 85 °C

#### General data

Rated current at 40°C	4 A
Rated voltage	≤ 32 V DC
Number of positions	2
Standards/regulations	M12 connector IEC 61076-2-101
Overvoltage category	III
Degree of pollution	3
Connection method	AS-i penetration technique

#### Characteristics head 1

Head type	Load center AS-i Screw locking
-----------	--------------------------------

## Distributor - SAC-ASI-J-Y-N-M12FS - 1405619

### Technical data

#### Characteristics head 1

No. of positions (pin connector pattern)	2
Material (component)	CuSn (Contact)
	Ni/Au (Contact surface)
	PBT (Contact carriers)
	PBT (Housing)
	Stainless steel (Screw connection)
Torque	1.65 Nm (Locking screw)

#### Characteristics head 2

Head type	Socket straight M12
No. of positions (pin connector pattern)	2 (5)
Color	black
Material (component)	CuSn (Contact)
	Ni/Au (Contact surface)
	TPE-U (Contact carriers)
	Zinc die-cast, nickel-plated (Screw connection)
Insertion/withdrawal cycles	≥ 100
Torque	0.4 Nm

#### Standards and Regulations

Standards/specifications	M12 connector IEC 61076-2-101
--------------------------	-------------------------------

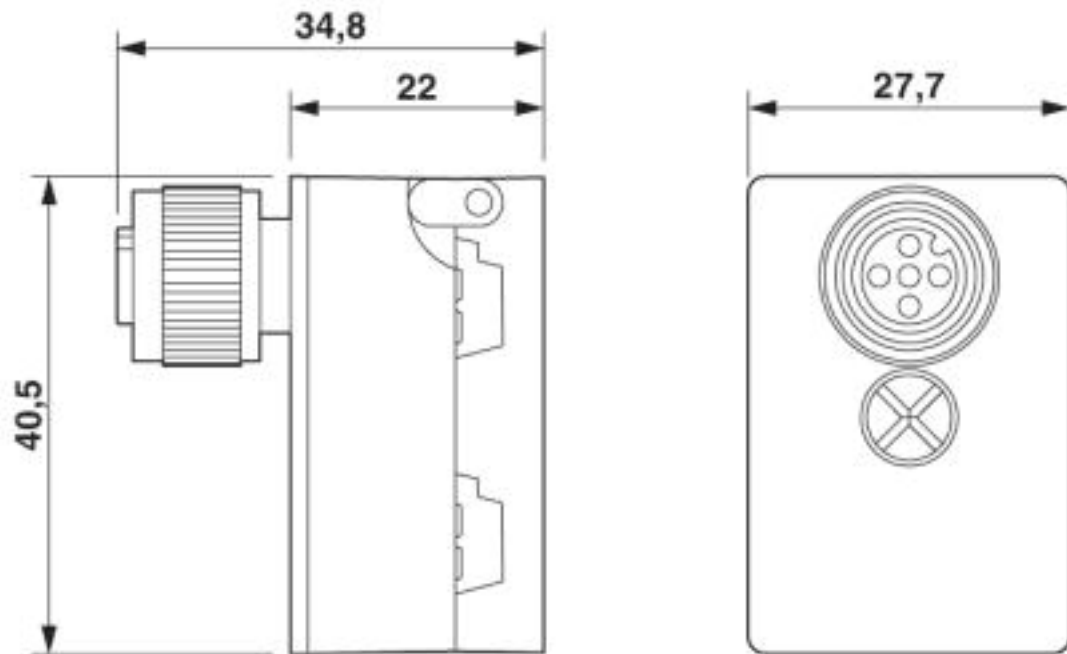
#### Environmental Product Compliance

China RoHS	Environmentally friendly use period: unlimited = EFUP-e
	No hazardous substances above threshold values

### Drawings

## Distributor - SAC-ASI-J-Y-N-M12FS - 1405619

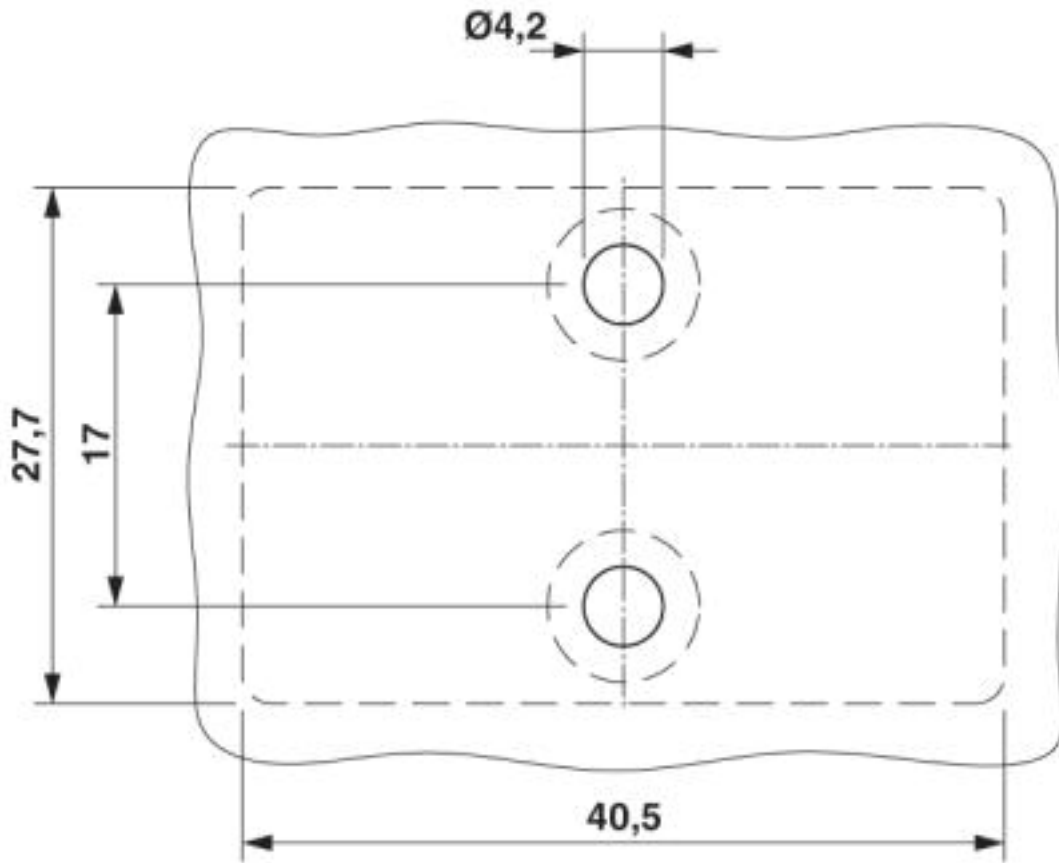
Dimensional drawing



Distributor, AS-Interface

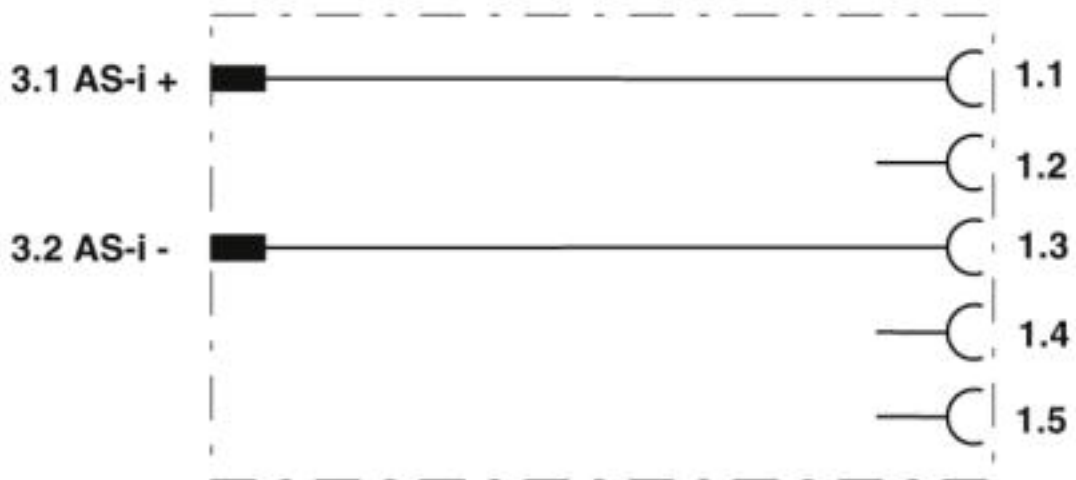
# Distributor - SAC-ASI-J-Y-N-M12FS - 1405619

Dimensional drawing



Distance and position of the mounting holes

Circuit diagram



Contact assignment of the AS-Interface distributor

# Distributor - SAC-ASI-J-Y-N-M12FS - 1405619

Schematic diagram



Pin assignment M12, PIN 1: AS-i +, PIN 3: AS-i -, PIN 2,4,5: Not used

## Classifications

eCl@ss

eCl@ss 4.0	27060700
eCl@ss 4.1	27060700
eCl@ss 5.0	27400200
eCl@ss 5.1	27250300
eCl@ss 6.0	27279200
eCl@ss 7.0	27440104
eCl@ss 8.0	27279219
eCl@ss 9.0	27440106

ETIM

ETIM 3.0	EC000516
----------	----------

## Distributor - SAC-ASI-J-Y-N-M12FS - 1405619

### Classifications

#### ETIM

ETIM 4.0	EC002585
ETIM 5.0	EC002062
ETIM 6.0	EC002925
ETIM 7.0	EC002925

#### UNSPSC

UNSPSC 6.01	31261501
UNSPSC 7.0901	31261501
UNSPSC 11	31261501
UNSPSC 12.01	31261501
UNSPSC 13.2	31251501
UNSPSC 19.0	31251501
UNSPSC 20.0	31251501
UNSPSC 21.0	31251501

### Approvals

#### Approvals

Approvals

EAC / EAC

Ex Approvals

#### Approval details

EAC		EAC-Zulassung
-----	--	---------------

EAC		RU C- DE.BL08.B.00511
-----	--	--------------------------

### Accessories

#### Accessories

Plug for cable screw gland

## Distributor - SAC-ASI-J-Y-N-M12FS - 1405619

### Accessories

Screw plug - PROT-M12 - 1680539



An M12 screw plug for the unoccupied M12 sockets of the sensor/actuator cable, boxes and flush-type connectors

---

### Screwdriver tools

Screwdriver - SZK PH2 VDE - 1205163



Screwdriver, PH crosshead, VDE insulated, size: PH 2 x 100 mm, 2-component grip, with non-slip grip

---

### Sensor/actuator cable

Sensor/actuator cable - SAC-4P-MS/ 0,3-186/FS SCO - 1555680



Sensor/actuator cable, 4-position, PUR, black-gray RAL 7021, Plug straight M12 SPEEDCON, A-coded, on Socket straight M12 SPEEDCON, A-coded, cable length: 0.3 m

---

Sensor/actuator cable - SAC-4P-MS/ 0,5-186/FS SCO - 1555693



Sensor/actuator cable, 4-position, PUR, black-gray RAL 7021, Plug straight M12 SPEEDCON, A-coded, on Socket straight M12 SPEEDCON, A-coded, cable length: 0.5 m

---

Sensor/actuator cable - SAC-4P-MS/ 1,0-186/FS SCO - 1555703



Sensor/actuator cable, 4-position, PUR, black-gray RAL 7021, Plug straight M12 SPEEDCON, A-coded, on Socket straight M12 SPEEDCON, A-coded, cable length: 1 m

---

## Distributor - SAC-ASI-J-Y-N-M12FS - 1405619

### Accessories

Sensor/actuator cable - SAC-4P-MS/ 2,0-186/FS SCO - 1555716



Sensor/actuator cable, 4-position, PUR, black-gray RAL 7021, Plug straight M12 SPEEDCON, A-coded, on Socket straight M12 SPEEDCON, A-coded, cable length: 2 m

---

Sensor/actuator cable - SAC-4P-MS/ 5,0-186/FS SCO - 1555729



Sensor/actuator cable, 4-position, PUR, black-gray RAL 7021, Plug straight M12 SPEEDCON, A-coded, on Socket straight M12 SPEEDCON, A-coded, cable length: 5 m

---

Sensor/actuator cable - SAC-4P-MS/10,0-186/FS SCO - 1555732



Sensor/actuator cable, 4-position, PUR, black-gray RAL 7021, Plug straight M12 SPEEDCON, A-coded, on Socket straight M12 SPEEDCON, A-coded, cable length: 10 m

---

Sensor/actuator cable - SAC-4P-MS/15,0-186/FS SCO - 1555745



Sensor/actuator cable, 4-position, PUR, black-gray RAL 7021, Plug straight M12 SPEEDCON, A-coded, on Socket straight M12 SPEEDCON, A-coded, cable length: 15 m

---