

Junction box - O PX A 121X121X75 - 0899328


Please be informed that the data shown in this PDF Document is generated from our Online Catalog. Please find the complete data in the user's documentation. Our General Terms of Use for Downloads are valid (<http://phoenixcontact.com/download>)



Junction box, Octagonal, material: Glass-fiber-reinforced polyester with added graphite, black, 121 mm x 121 mm x 75 mm, type of locking: Screw-on cover



Key Commercial Data

Packing unit	1 pc
GTIN	 4 055626 275970
GTIN	4055626275970
Weight per Piece (excluding packing)	99.990 g
Custom tariff number	85389099
Country of origin	India
Note	Made to Order (non-returnable)

Technical data

General

Type	Ex empty enclosure, octagonal
Note	Prepared for direct installation of a DIN rail
Color	black
Flammability rating according to UL 94	V0
Direct DIN rail mounting	yes
Useable DIN rail type	NS 15
	NS 35

Dimensions

Width	121 mm
Height	121 mm
Depth	75 mm
Clearance width, maximum DIN rail length	101 mm
Assembly length, max.	72 mm

Junction box - O PX A 121X121X75 - 0899328

Technical data

General

Housing material	Glass-fiber-reinforced polyester with added graphite
Cover fastening	Screw-on cover
Note	Plus/minus screw
Fixing device	Integrated external fixing clip
Seal material	Silicon
Components	halogen-free

Ambient conditions

Degree of protection of housing (IP)	IP66
Protection class	II
Degree of protection (IK)	7.00 J EN 60079-0
Temperature in operating conditions	-55 °C ... 127 °C

Standards and Regulations

Standards/regulations	EN 60079-0
Flammability rating according to UL 94	V0

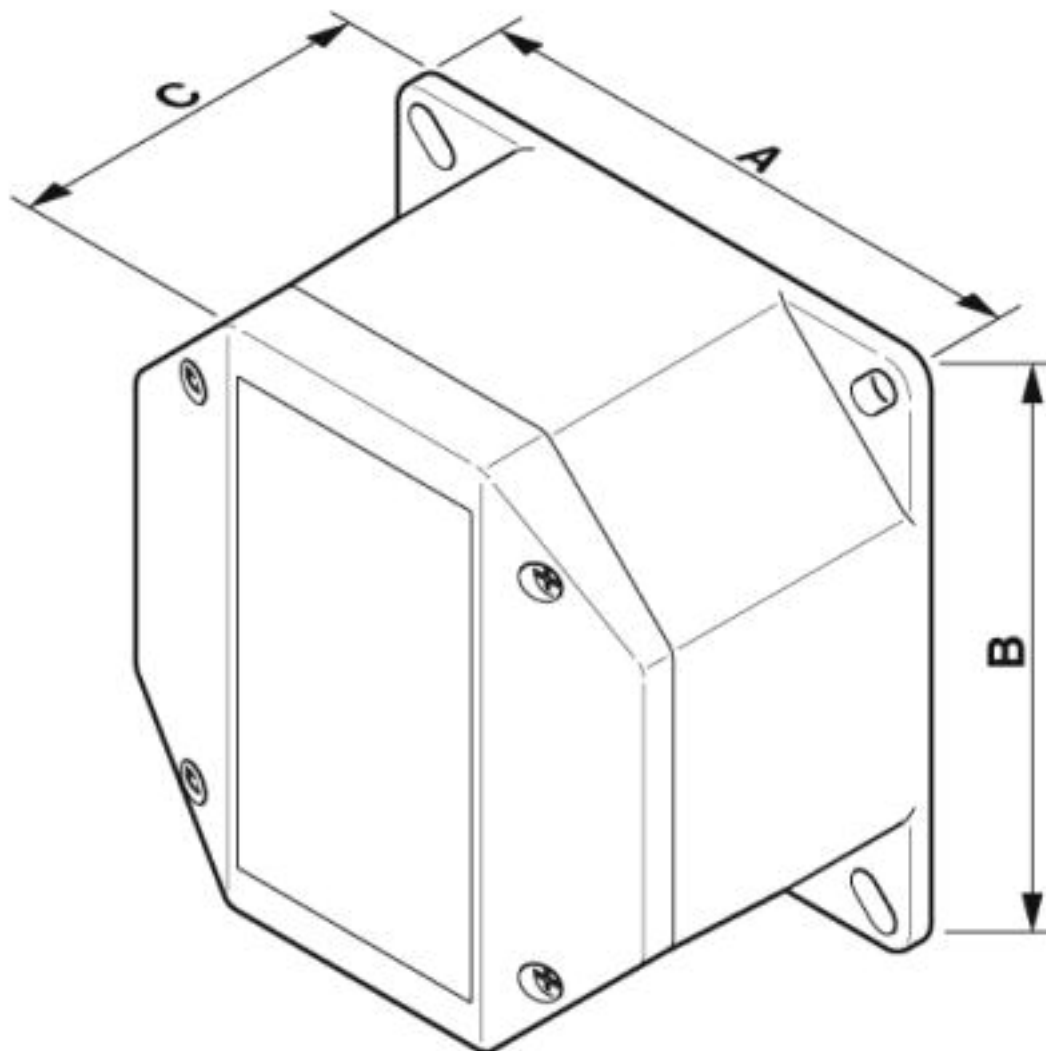
Environmental Product Compliance

China RoHS	Environmentally friendly use period: unlimited = EFUP-e
	No hazardous substances above threshold values

Drawings

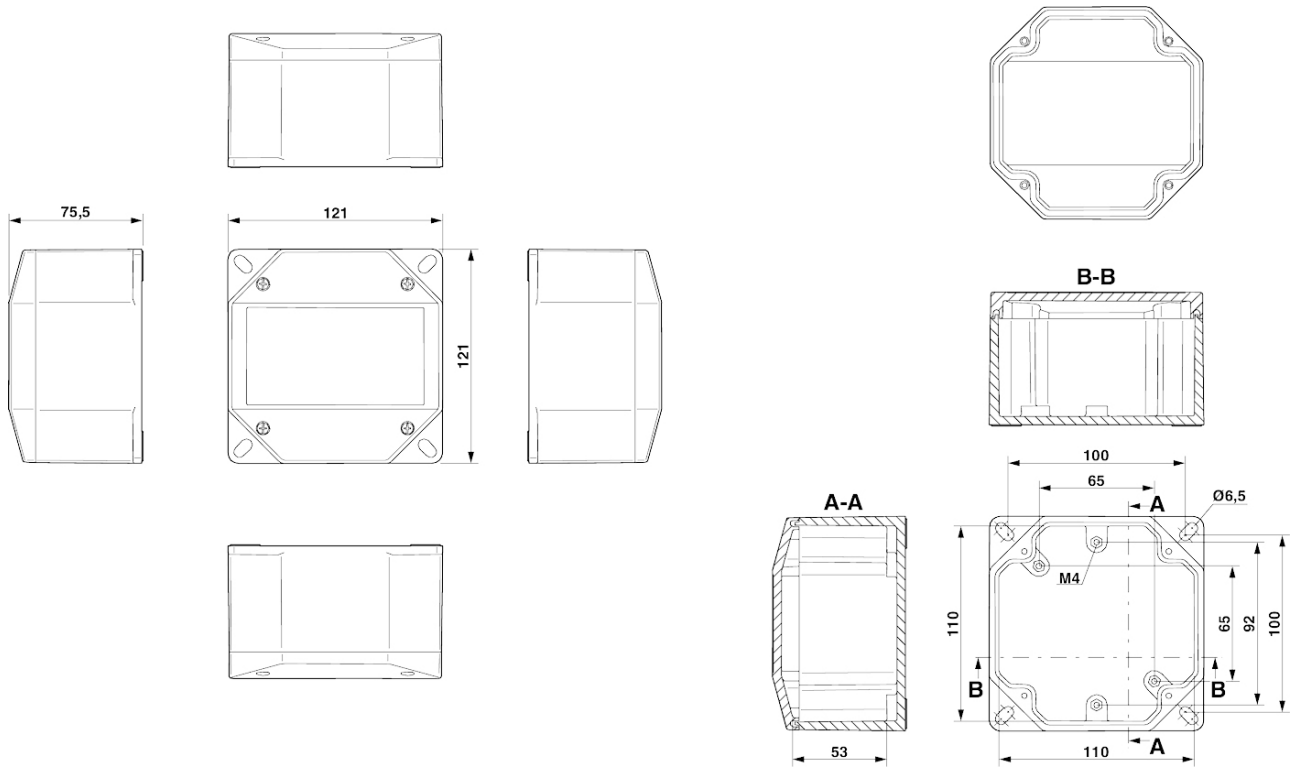
Junction box - O PX A 121X121X75 - 0899328

Schematic diagram



Junction box - O PX A 121X121X75 - 0899328

Dimensional drawing



Junction box - O PX A 121X121X75 - 0899328

Classifications

eCl@ss

eCl@ss 10.0.1	27180190
eCl@ss 4.0	24190200
eCl@ss 4.1	24190200
eCl@ss 5.0	27141100
eCl@ss 5.1	27180100
eCl@ss 6.0	27180100
eCl@ss 7.0	27180190
eCl@ss 8.0	27180190
eCl@ss 9.0	27180190

ETIM

ETIM 4.0	EC002498
ETIM 5.0	EC000261
ETIM 6.0	EC000261
ETIM 7.0	EC000261

UNSPSC

UNSPSC 6.01	30211923
UNSPSC 7.0901	27121703
UNSPSC 11	27121703
UNSPSC 12.01	27121703
UNSPSC 13.2	31261502
UNSPSC 18.0	31261502
UNSPSC 19.0	31261502
UNSPSC 20.0	31261502
UNSPSC 21.0	31261502

Accessories

Accessories

DIN rail

DIN rail, unperforated - NS 15 UNP AE OP 81X81 - 3002640



DIN rail, unperforated, width: 15 mm, height: 5.3 mm, material: Steel, galvanized, passivated with a thick layer, length: 68 mm, Suitable for PxC polyester terminal boxes, color: silver

Junction box - O PX A 121X121X75 - 0899328

Accessories

DIN rail, unperforated - NS 15 UNP AE OP 121X121 - 3002641



DIN rail, unperforated, width: 15 mm, height: 5.3 mm, material: Steel, galvanized, passivated with a thick layer, length: 101 mm, Suitable for PxC polyester terminal boxes, color: silver

DIN rail, unperforated - NS 15 UNP AE OP 161X161 - 3002642



DIN rail, unperforated, width: 15 mm, height: 5.3 mm, material: Steel, galvanized, passivated with a thick layer, length: 141 mm, Suitable for PxC polyester terminal boxes, color: silver

DIN rail, unperforated - NS 15 UNP AE OP 200X200 - 3002643



DIN rail, unperforated, width: 15 mm, height: 5.3 mm, material: Steel, galvanized, passivated with a thick layer, length: 178 mm, Suitable for PxC polyester terminal boxes, color: silver

DIN rail, unperforated - NS 35/ 7,5 UNP AE OP 121X121 - 3002644



DIN rail, unperforated, width: 35 mm, height: 7.5 mm, material: Steel, galvanized, passivated with a thick layer, length: 101 mm, Suitable for PxC polyester terminal boxes, color: silver

DIN rail, unperforated - NS 35/ 7,5 UNP AE OP 161X161 - 3002645



DIN rail, unperforated, width: 35 mm, height: 7.5 mm, material: Steel, galvanized, passivated with a thick layer, length: 141 mm, Suitable for PxC polyester terminal boxes, color: silver

Junction box - O PX A 121X121X75 - 0899328

Accessories

DIN rail, unperforated - NS 35/ 7,5 UNP AE OP 200X200 - 3002646



DIN rail, unperforated, width: 35 mm, height: 7.5 mm, material: Steel, galvanized, passivated with a thick layer, length: 178 mm, Suitable for PxC polyester terminal boxes, color: silver

Screwdriver tools

Screw insert - SF-BIT-PHSL 2-70 - 1212601



Screw bit, positive/negative PH/bladed, E6.3-1/4" drive, size: PH 2 x 70 mm, hardened, suitable for holder according to DIN 3126-F6.3/ISO 1174

Torque tool

Torque screwdriver - TSD-M 6NM - 1212226



Torque screw driver, accuracy as per EN ISO 6789 standard, adjustable from 3 - 6 Nm