

## D-SUB connector - SUBCON 15HD/M - 2708546

Please be informed that the data shown in this PDF Document is generated from our Online Catalog. Please find the complete data in the user's documentation. Our General Terms of Use for Downloads are valid (<http://phoenixcontact.com/download>)




D-SUB connector, 15-pos. HD (High Density), male, one cable entry <math><35^\circ</math>, universal type for all systems, pin assignment: 1, 2, 3, 6, 7, 8, 10, 13, 14 to screw connection terminal block

### Your advantages

- Change to the D-SUB orientation through a reversible connection block

### Key Commercial Data

Packing unit	1 pc
GTIN	 4 017918 942144
GTIN	4017918942144
Weight per Piece (excluding packing)	44.000 g
Custom tariff number	85366990
Country of origin	Germany

### Technical data

#### Dimensions

Width	16 mm
Height	55 mm
Length	56.5 mm

#### Ambient conditions

Ambient temperature (operation)	-20 °C ... 75 °C
Ambient temperature (storage/transport)	-25 °C ... 80 °C
Altitude	≤ 5000 m (For restrictions, see the manufacturer's declaration for altitude operation)
Degree of protection	IP40

#### General

Nominal voltage $U_N$	24 V AC/DC
Signal	VGA

# D-SUB connector - SUBCON 15HD/M - 2708546

## Technical data

### General

Insertion/withdrawal cycles	≥ 200
Housing material	ABS, metal-plated

### Connection data

Connection	D-SUB connection
Number of positions	15
Connection method	High density D-SUB pin strip
Tightening torque	0.4 Nm
Connection	PCB connection
Number of positions	9
Connection method	Screw connection
Conductor cross section flexible min.	0.14 mm <sup>2</sup>
Conductor cross section flexible max.	1 mm <sup>2</sup>
Conductor cross section solid min.	0.14 mm <sup>2</sup>
Conductor cross section solid max.	1.5 mm <sup>2</sup>
Conductor cross section AWG min.	26
Conductor cross section AWG max.	16
Stripping length	5 mm
Tightening torque	0.25 Nm

### Conformance/approvals

Designation	EAC
Identification	EAC
Designation	Corrosive gas test
Identification	ISA-S71.04-1985 G3 Harsh Group A

### Standards and Regulations

Free from substances that could impair the application of coating	according to P-VW 3.10.7 57 65 0 VW-AUDI-Seat central standard
---	--

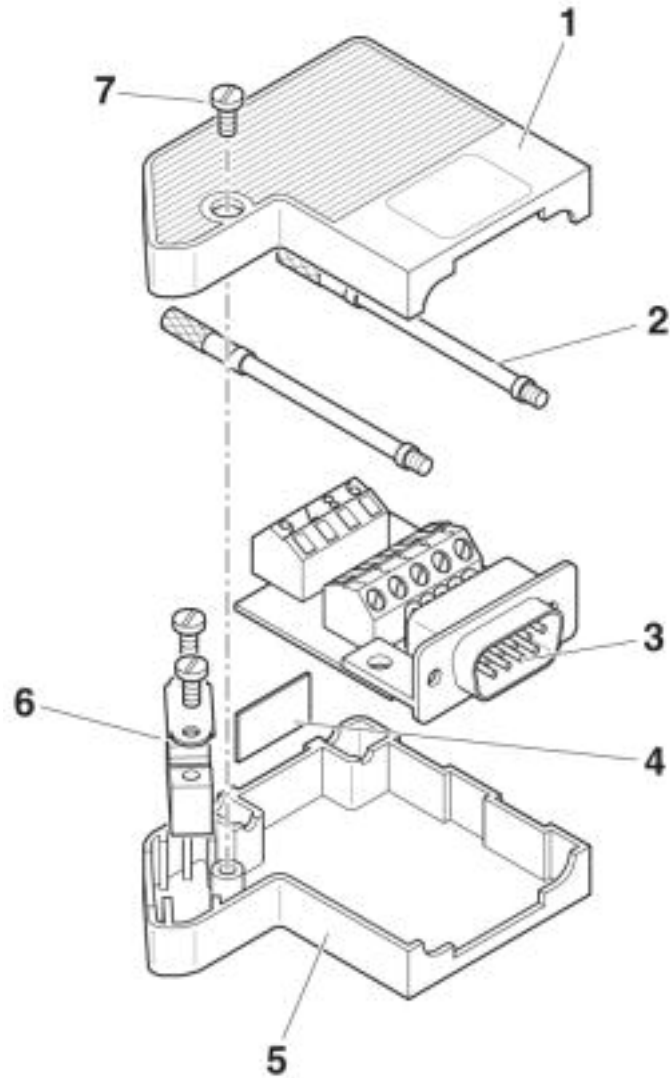
### Environmental Product Compliance

REACH SVHC	Lead 7439-92-1
China RoHS	Environmentally Friendly Use Period = 50
	For details about hazardous substances go to tab "Downloads", Category "Manufacturer's declaration"

## Drawings

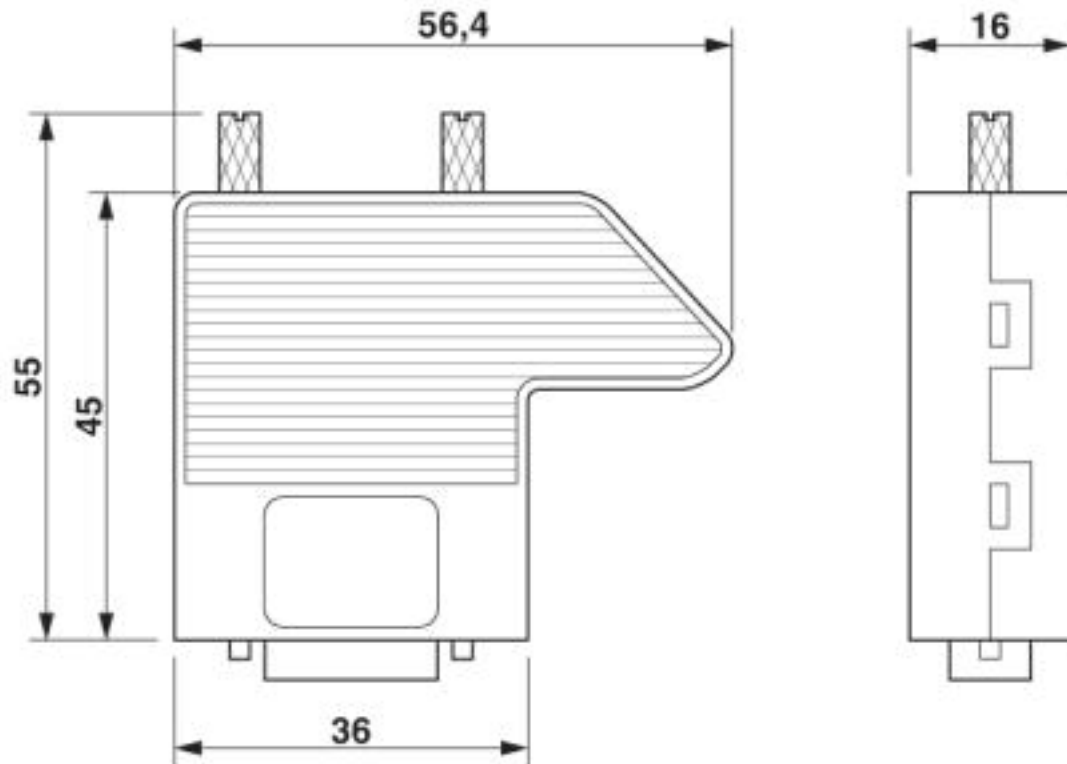
## D-SUB connector - SUBCON 15HD/M - 2708546

Schematic diagram



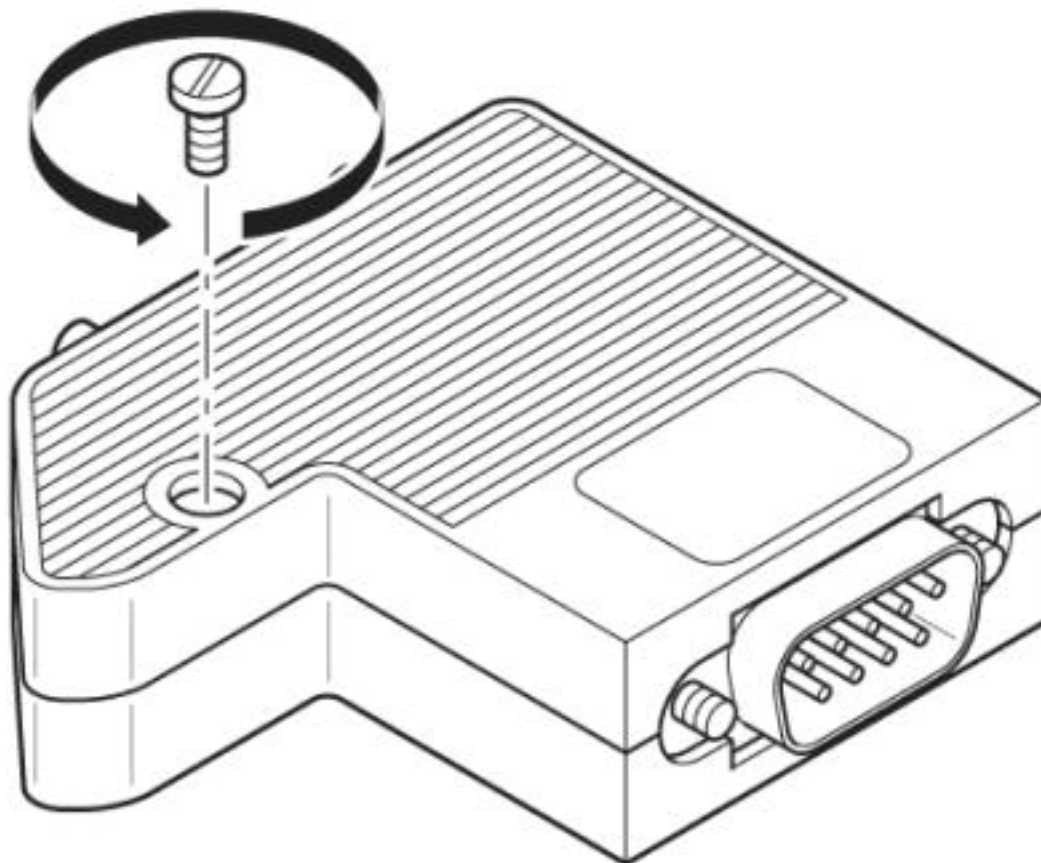
## D-SUB connector - SUBCON 15HD/M - 2708546

Dimensional drawing



## D-SUB connector - SUBCON 15HD/M - 2708546

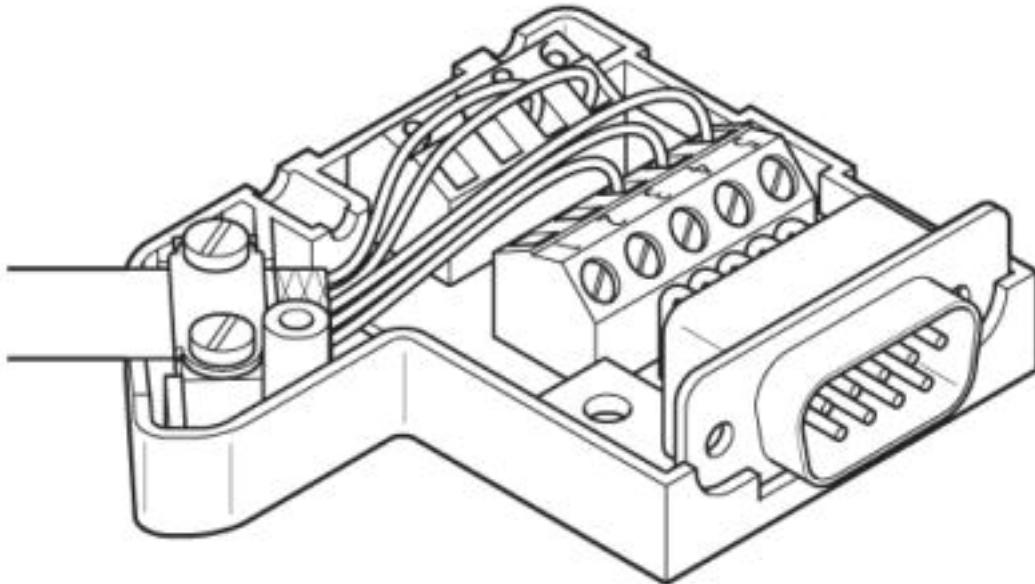
Schematic diagram



Opening the housing

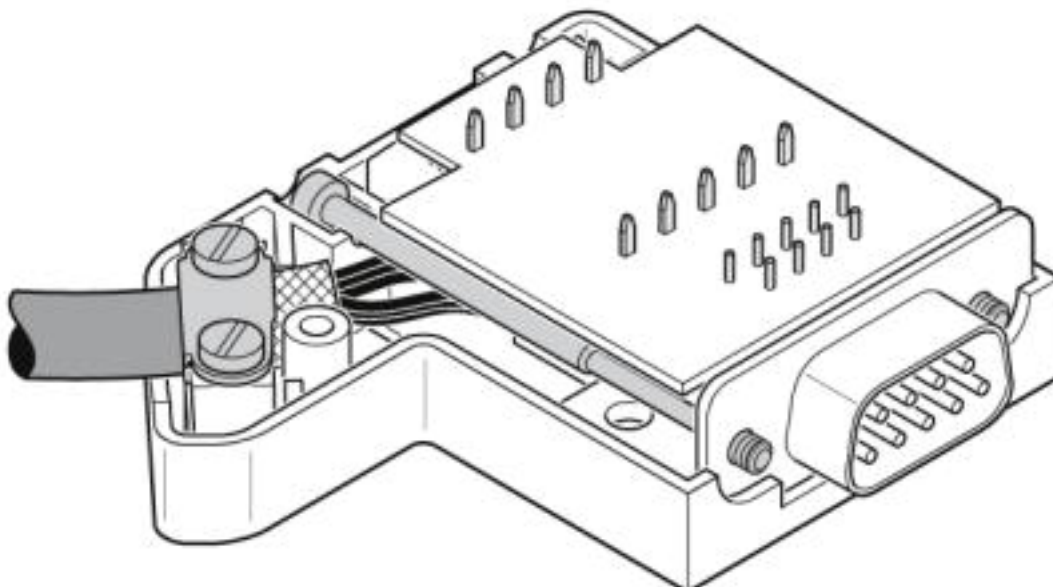
## D-SUB connector - SUBCON 15HD/M - 2708546

Schematic diagram



Left-hand side cable entry

Schematic diagram



Right-hand side cable entry

### Classifications

eCl@ss

eCl@ss 4.0	27140800
------------	----------

# D-SUB connector - SUBCON 15HD/M - 2708546

## Classifications

### eCl@ss

eCl@ss 4.1	27140800
eCl@ss 5.0	27143400
eCl@ss 5.1	27143400
eCl@ss 6.0	27143400
eCl@ss 7.0	27440302
eCl@ss 8.0	27440302
eCl@ss 9.0	27440302

### ETIM

ETIM 2.0	EC001476
ETIM 3.0	EC001476
ETIM 4.0	EC001132
ETIM 5.0	EC001132
ETIM 6.0	EC001132
ETIM 7.0	EC001132

### UNSPSC

UNSPSC 6.01	30211802
UNSPSC 7.0901	39121402
UNSPSC 11	39121402
UNSPSC 12.01	39121402
UNSPSC 13.2	39121522
UNSPSC 18.0	39121522
UNSPSC 19.0	39121522
UNSPSC 20.0	39121522
UNSPSC 21.0	39121522

## Approvals

### Approvals

---

Approvals

EAC

---

Ex Approvals

---

### Approval details

## D-SUB connector - SUBCON 15HD/M - 2708546

### Approvals

EAC		EAC-Zulassung
-----	---	---------------