

## Communication module - IB IL DALI-PAC - 2897910

Please be informed that the data shown in this PDF Document is generated from our Online Catalog. Please find the complete data in the user's documentation. Our General Terms of Use for Downloads are valid (<http://phoenixcontact.com/download>)



Inline, DALI master, Extension for IB IL DALI/PWR-PAC, transmission speed in the local bus: 500 kbps, degree of protection: IP20, including Inline connector and labeling field

### Product Description

The terminal is designed for use within an Inline station.  
 It represents a DALI master that can control up to 63 DALI ballasts.  
 The IB IL DALI-PAC is an extension terminal for the IB IL DALI/PWR-PAC.  
 Up to 3 IB IL DALI-PAC can be connected downstream of the IB IL DALI/PWR-PAC.

### Your advantages

- DALI master without integrated DALI bus supply
- DALI bus protected against unintentional connection of mains voltage (up to 250 V AC)
- Diagnostic and status indicators

### Key Commercial Data

Packing unit	1 pc
GTIN	
GTIN	4046356133074
Weight per Piece (excluding packing)	57.000 g
Custom tariff number	85389091
Country of origin	Germany

### Technical data

#### Dimensions

Width	12.2 mm
Height	119.8 mm
Depth	71.5 mm
Note on dimensions	Housing dimensions

#### Ambient conditions

# Communication module - IB IL DALI-PAC - 2897910

## Technical data

### Ambient conditions

Ambient temperature (operation)	-25 °C ... 60 °C (Observe derating when using terminal IB IL DALI/PWR-PAC, see data sheet DB EN IB IL DALI/PWR-PAC.)
Ambient temperature (storage/transport)	-25 °C ... 85 °C
Permissible humidity (operation)	10 % ... 95 % (non-condensing)
Permissible humidity (storage/transport)	10 % ... 95 % (non-condensing)
Air pressure (operation)	80 kPa ... 106 kPa (up to 2000 m above sea level)
Air pressure (storage/transport)	70 kPa ... 106 kPa (up to 3000 m above sea level)
Degree of protection	IP20

### Connection data

Designation	Inline connector
Connection method	Spring-cage connection
Conductor cross section solid min.	0.2 mm <sup>2</sup>
Conductor cross section solid max.	1.5 mm <sup>2</sup>
Conductor cross section flexible min.	0.2 mm <sup>2</sup>
Conductor cross section flexible max.	1.5 mm <sup>2</sup>
Conductor cross section AWG min.	24
Conductor cross section AWG max.	16
Stripping length	8 mm

### Interfaces

Designation	Inline local bus
Connection method	Inline data jumper
Transmission speed	500 kbps
Designation	DALI
Connection method	Inline connector
Supply voltage	typ. 14 V DC (Bus voltage)
Current carrying capacity	max. 128 mA (Bus load: observe the derating of terminal IB IL DALI/PWR-PAC.)
Output current with short-circuit	max. 250 mA
Transmission speed	1200 bps
Type of protection	Bus protected up to 250 V AC, maximum

### General

Mounting type	DIN rail
Net weight	57 g
Note on weight specifications	with connector

### Inline potentials

Designation	Communications power (U <sub>L</sub> )
Supply voltage	7.5 V DC (via voltage jumper)
Current consumption	max. 38 mA
Designation	DALI supply voltage U <sub>DALI</sub>

# Communication module - IB IL DALI-PAC - 2897910

## Technical data

### Inline potentials

Current consumption	126 mA
---------------------	--------

### Standards and Regulations

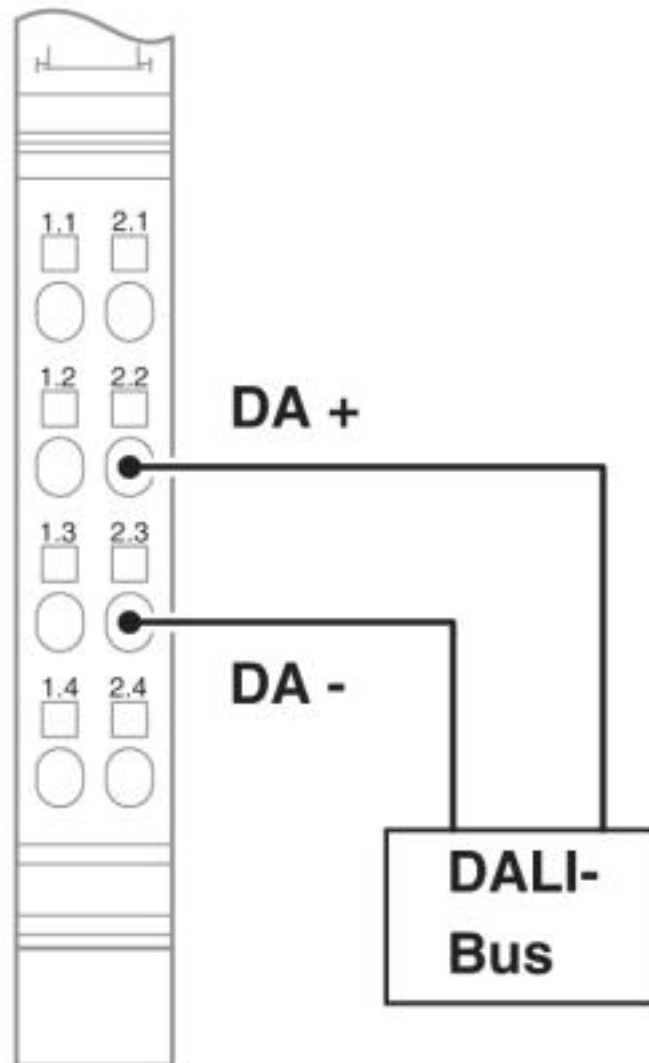
Protection class	III (IEC 61140, EN 61140, VDE 0140-1)
------------------	---------------------------------------

### Environmental Product Compliance

China RoHS	Environmentally friendly use period: unlimited = EFUP-e
	No hazardous substances above threshold values

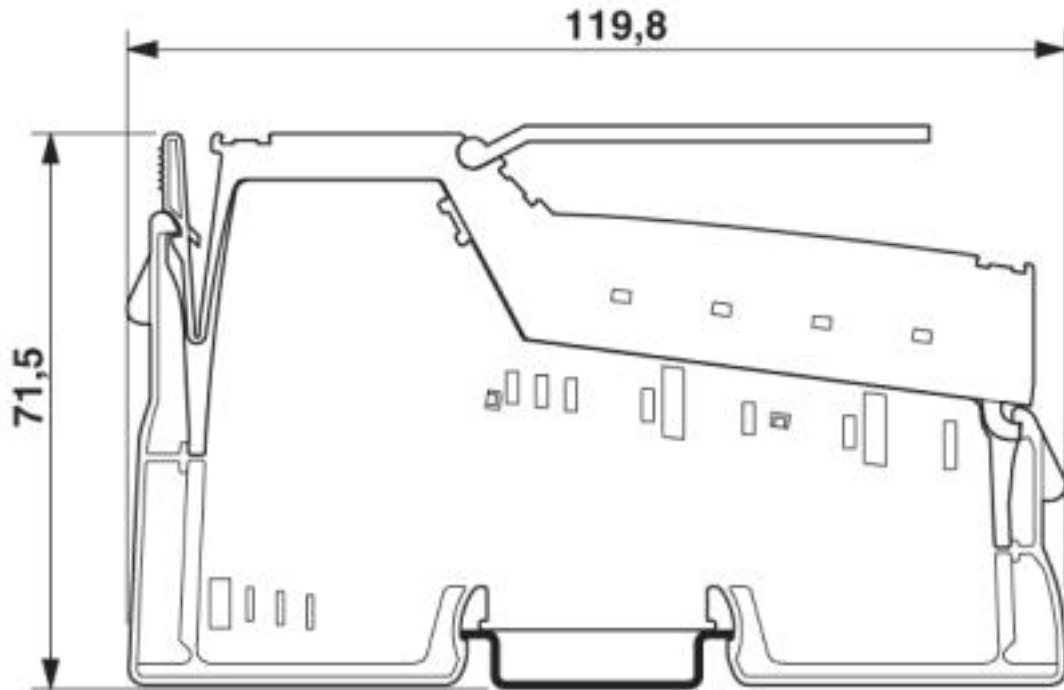
## Drawings

Connection diagram



# Communication module - IB IL DALI-PAC - 2897910

Dimensional drawing



## Classifications

### eCl@ss

eCl@ss 4.0	27250200
eCl@ss 4.1	27250200
eCl@ss 5.0	27250200
eCl@ss 5.1	27242600
eCl@ss 6.0	27242600
eCl@ss 7.0	27242608
eCl@ss 8.0	27242608
eCl@ss 9.0	27242608

### ETIM

ETIM 2.0	EC001434
ETIM 3.0	EC001604
ETIM 4.0	EC001601
ETIM 5.0	EC001604
ETIM 6.0	EC001604
ETIM 7.0	EC001604

### UNSPSC

UNSPSC 6.01	43172015
UNSPSC 7.0901	43201404

# Communication module - IB IL DALI-PAC - 2897910

## Classifications

### UNSPSC

UNSPSC 11	43172015
UNSPSC 12.01	43201404
UNSPSC 13.2	32151602
UNSPSC 18.0	32151602
UNSPSC 19.0	32151602
UNSPSC 20.0	32151602
UNSPSC 21.0	32151602

## Accessories

### Accessories

#### Labeling panel

Labeling field - IB IL FIELD 2 - 2727501

Labeling field, width: 12.2 mm



Labeling field - IB IL FIELD 8 - 2727515

Labeling field, width: 48.8 mm



### Terminal marking

Insert strip - ESL 62X10 - 0809492

Insert strip, Sheet, white, unlabeled, can be labeled with: Office printing systems: Laser printer, mounting type: insert, lettering field size: 62 x 10 mm, Number of individual labels: 72



Insert strip - ESL 62X46 - 0809502

Insert strip, Sheet, white, unlabeled, can be labeled with: Office printing systems: Laser printer, mounting type: insert, lettering field size: 62 x 46 mm, Number of individual labels: 120



# Communication module - IB IL DALI-PAC - 2897910

## Accessories

---

---

Phoenix Contact 2020 © - all rights reserved  
<http://www.phoenixcontact.com>