

DIN rail mounting frame - HC-CIF-B16-HFWL-PL - 1424336


Please be informed that the data shown in this PDF Document is generated from our Online Catalog. Please find the complete data in the user's documentation. Our General Terms of Use for Downloads are valid (<http://phoenixcontact.com/download>)



HEAVYCON DIN rail mounting frame, for type B16 contact inserts



Key Commercial Data

Packing unit	1 pc
GTIN	 4 055626 370743
GTIN	4055626370743
Weight per Piece (excluding packing)	45.900 g
Custom tariff number	85389099
Country of origin	China

Technical data

Dimensions

Length	144 mm
Width	42 mm
Height	61 mm

Ambient conditions

Ambient temperature (operation)	-40 °C ... 125 °C
---------------------------------	-------------------

General

Size	B16
Material	PC
Flammability rating according to UL 94	V0
Color	traffic grey
Note	for B16, BB32, DD72, HS6, HV6 contact inserts and B16 module frame

Standards and Regulations

Flammability rating according to UL 94	V0
--	----

DIN rail mounting frame - HC-CIF-B16-HFWL-PL - 1424336

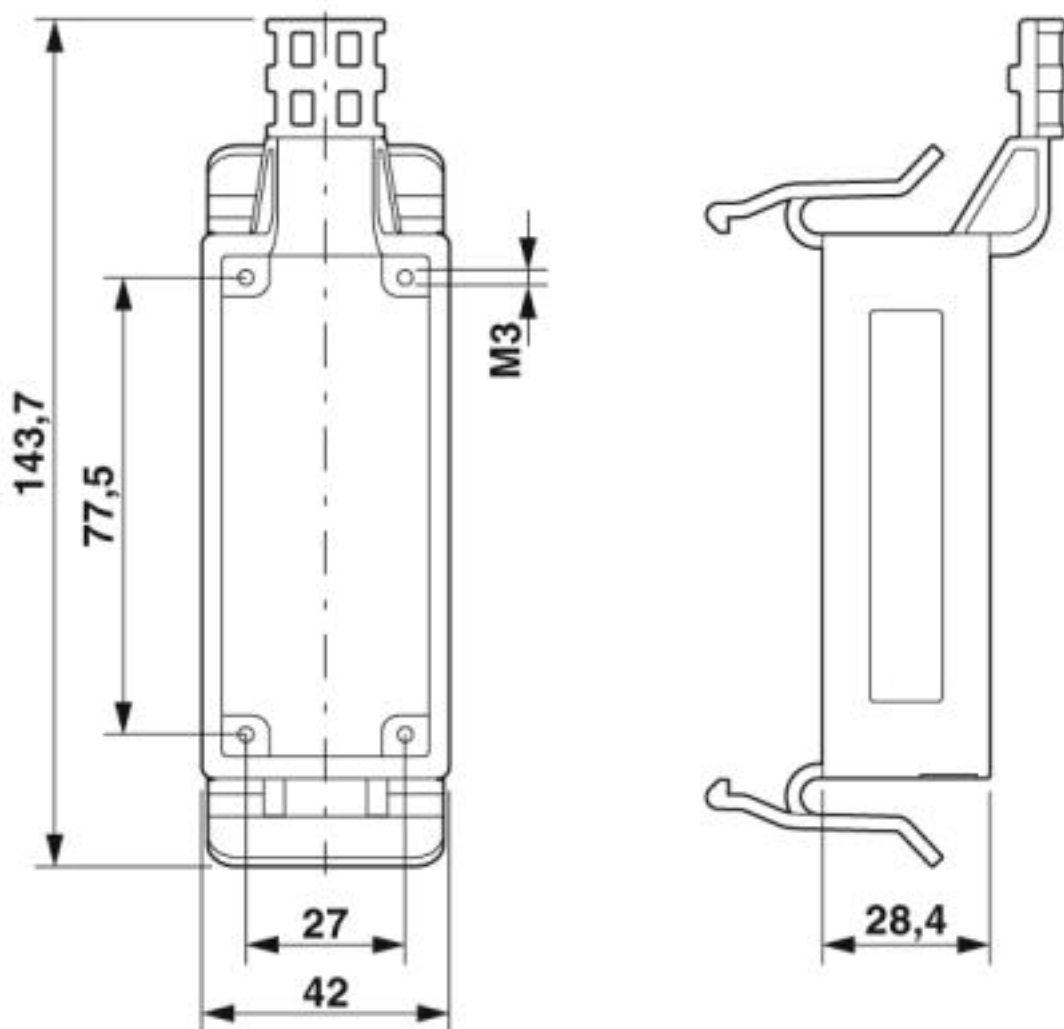
Technical data

Environmental Product Compliance

REACH SVHC	Lead 7439-92-1
China RoHS	Environmentally Friendly Use Period = 50
	For details about hazardous substances go to tab "Downloads", Category "Manufacturer's declaration"

Drawings

Dimensional drawing



Dimensional drawing

Classifications

eCI@ss

eCI@ss 5.1	27143424
------------	----------

DIN rail mounting frame - HC-CIF-B16-HFWL-PL - 1424336

Classifications

eCl@ss

eCl@ss 6.0	27261200
eCl@ss 7.0	27440206
eCl@ss 8.0	27440206
eCl@ss 9.0	27440210

ETIM

ETIM 5.0	EC002310
ETIM 6.0	EC002310
ETIM 7.0	EC002310

Approvals

Approvals

Approvals

UL Recognized / cUL Recognized / EAC / cULus Recognized

Ex Approvals

Approval details

UL Recognized		http://database.ul.com/cgi-bin/XYV/template/LISEXT/1FRAME/index.htm	E118976
---------------	--	---	---------

cUL Recognized		http://database.ul.com/cgi-bin/XYV/template/LISEXT/1FRAME/index.htm	E118976
----------------	--	---	---------

EAC		EAC-Zulassung
-----	--	---------------

cULus Recognized	
------------------	--

Accessories

Accessories

Adapter

DIN rail mounting frame - HC-CIF-B16-HFWL-PL - 1424336

Accessories

Adapter insert - HC-CIF-D15-AIWS-SM-NI - 1424340



Adapter insert, type: D15

Additional products

DIN rail mounting frame - HC-CIF-B06-24-BFAFL-PL - 1424338



DIN rail mounting frame, type: B6 - B24, for contact inserts