

# Corrugated tube screw connection - HC-B-GCA-M20-PLRBK - 1412021

Please be informed that the data shown in this PDF Document is generated from our Online Catalog. Please find the complete data in the user's documentation. Our General Terms of Use for Downloads are valid (<http://phoenixcontact.com/download>)



EVO corrugated pipe screw connection, size: M20, protection class: IP66, plastic



## Key Commercial Data

Packing unit	1 pc
GTIN	
GTIN	4046356948647
Weight per Piece (excluding packing)	38.980 g
Custom tariff number	39269097
Country of origin	Poland

## Technical data

### General

Material	PA
Sealing material	Neoprene (Sleeve seal)
Thread type on seal side	M20
Tightening torque, union nut	5.00 Nm
Color	black
Assembly instructions	Please observe the installation note provided for the WP-PA HF-HB.....BK corrugated pipe

### Dimensions

Outside diameter	21.20 mm
External cable diameter	8 mm ... 12 mm

### Ambient conditions

Degree of protection (IP)	IP66
Ambient temperature (operation)	-40 °C ... 115 °C

### Environmental Product Compliance

# Corrugated tube screw connection - HC-B-GCA-M20-PLRBK - 1412021

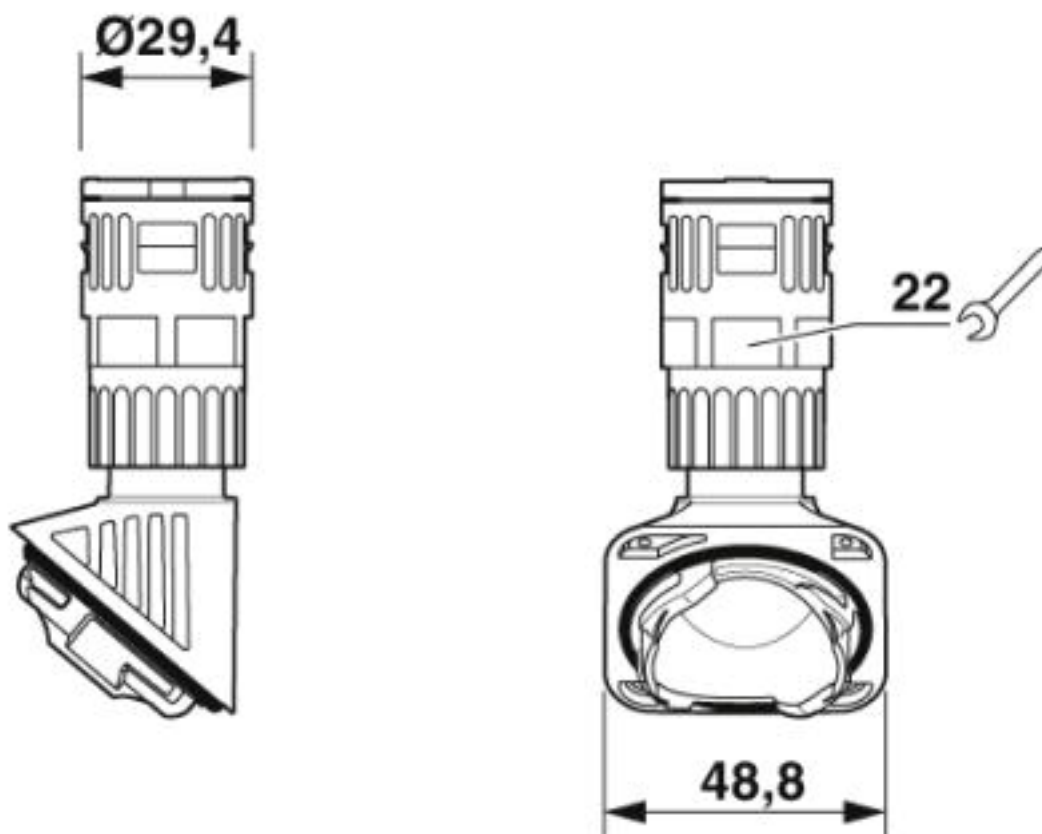
## Technical data

### Environmental Product Compliance

China RoHS	Environmentally friendly use period: unlimited = EFUP-e
	No hazardous substances above threshold values

## Drawings

Dimensional drawing



Dimensional drawing

## Classifications

eCl@ss

eCl@ss 4.0	27140800
eCl@ss 4.1	27140800
eCl@ss 5.0	27143400
eCl@ss 5.1	27143400
eCl@ss 6.0	27261200
eCl@ss 7.0	27439205
eCl@ss 8.0	27439205

# Corrugated tube screw connection - HC-B-GCA-M20-PLRBK - 1412021

## Classifications

### eCl@ss

eCl@ss 9.0	27430308
------------	----------

### ETIM

ETIM 4.0	EC000441
ETIM 5.0	EC000441
ETIM 6.0	EC002908
ETIM 7.0	EC002908

### UNSPSC

UNSPSC 13.2	39121421
UNSPSC 18.0	39121421
UNSPSC 19.0	39121421
UNSPSC 20.0	39121421
UNSPSC 21.0	39121421

## Approvals

### Approvals

---

Approvals

EAC

---

Ex Approvals

---

### Approval details

EAC		RU C- DE.AI30.B.01102
-----	--	--------------------------

## Accessories

### Accessories

#### Corrugated pipe

Protective hose - WP-PA HF 21,2 BK - 3240683



Polyamide protective hose, inflammability class V0, UV resistant

