


Flat nut - SACC-E-MU-M12 - 1409362

Please be informed that the data shown in this PDF Document is generated from our Online Catalog. Please find the complete data in the user's documentation. Our General Terms of Use for Downloads are valid (<http://phoenixcontact.com/download>)

Flat nut with M12 thread



Key Commercial Data

| | |
|--------------------------------------|---|
| Packing unit | 100 pc |
| Minimum order quantity | 100 pc |
| GTIN |  4 046356 870948 |
| GTIN | 4046356870948 |
| Weight per Piece (excluding packing) | 1.400 g |
| Custom tariff number | 85389099 |
| Country of origin | Germany |
| Note | Made to Order (non-returnable) |

Technical data

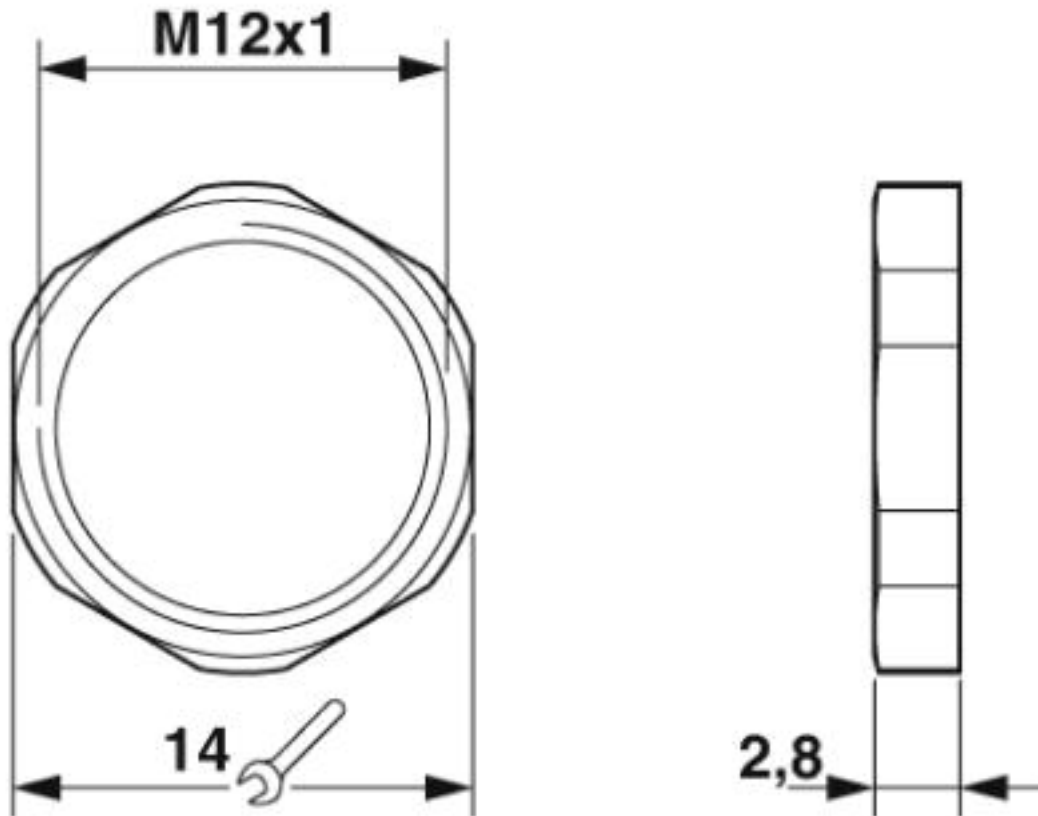
Environmental Product Compliance

| | |
|------------|---|
| | Lead 7439-92-1 |
| China RoHS | Environmentally Friendly Use Period = 50 |
| | For details about hazardous substances go to tab "Downloads", Category "Manufacturer's declaration" |

Drawings

Flat nut - SACC-E-MU-M12 - 1409362

Dimensional drawing



Flat nut M12

Classifications

eCl@ss

| | |
|---------------|----------|
| eCl@ss 10.0.1 | 23110701 |
| eCl@ss 4.0 | 23110700 |
| eCl@ss 4.1 | 23110700 |
| eCl@ss 5.0 | 23110700 |
| eCl@ss 5.1 | 23110700 |
| eCl@ss 6.0 | 23110700 |
| eCl@ss 7.0 | 23110701 |
| eCl@ss 8.0 | 23110701 |
| eCl@ss 9.0 | 23110701 |

ETIM

| | |
|----------|----------|
| ETIM 4.0 | EC000129 |
| ETIM 5.0 | EC000129 |
| ETIM 6.0 | EC000129 |
| ETIM 7.0 | EC000129 |

Flat nut - SACC-E-MU-M12 - 1409362

Classifications

UNSPSC

| | |
|---------------|----------|
| UNSPSC 6.01 | 31251501 |
| UNSPSC 7.0901 | 31251501 |
| UNSPSC 11 | 31251501 |
| UNSPSC 12.01 | 31251501 |
| UNSPSC 13.2 | 31161727 |
| UNSPSC 18.0 | 31161727 |
| UNSPSC 19.0 | 31161727 |
| UNSPSC 20.0 | 31161727 |
| UNSPSC 21.0 | 31161727 |