

AC charging cable - EV-GBG3JK-3AC32A-5,0M6,0ESBK01 - 1624138

Please be informed that the data shown in this PDF Document is generated from our Online Catalog. Please find the complete data in the user's documentation. Our General Terms of Use for Downloads are valid (<http://phoenixcontact.com/download>)



AC charging cable, Mobile AC charging cable with Vehicle Connector and Infrastructure Plug, with locking option for U-lock, with protective caps, C-Line black / gray, GB/T, GB/T 20234.2-2015, GB/T 18487.1-2015, 32 A / 440 V (AC), design line C-Line, cable: 5 m, black, straight, mating face: black, handle area: gray

Product Description


Mobile AC charging cable with Vehicle Connector and Infrastructure Plug for charging electric vehicles (EV) with alternating current (AC), via a GB/T Vehicle-Inlet, compatible with GB/T Infrastructure Socket Outlets at charging stations for E-Mobility (EVSE)

Your advantages

- ✔ Consistent design of all Phoenix Contact Vehicle Connectors and Infrastructure Plugs
- ✔ Silver-plated surface of the power and signal contacts
- ✔ Certified in accordance with IATF 16949:2016 and ISO 9001:2015
- ✔ Convenient handling, thanks to the ergonomic handle and additional, rubber grip components
- ✔ Tested in accordance with selected tests of automotive standards LV124, LV214, LV215-2
- ✔ Reliable function of the locking lever with additional seal
- ✔ Optional locking option with a U-lock
- ✔ Consistent longitudinal water tightness prevents water ingress in the cable



Key Commercial Data

Packing unit	1 pc
GTIN	 4 055626 242897
GTIN	4055626242897
Weight per Piece (excluding packing)	3,847.000 g
Custom tariff number	85444290
Country of origin	Germany
Note	Made to Order (non-returnable)

Technical data

Product definition

Product type	Mobile AC charging cable with Vehicle Connector and Infrastructure Plug, with locking option for U-lock, with protective caps
--------------	---

AC charging cable - EV-GBG3JK-3AC32A-5,0M6,0ESBK01 - 1624138

Technical data

Product definition

Type	C-Line black / gray
Standards/regulations	GB/T 20234.2-2015
	GB/T 18487.1-2015
Charging standard	GB/T
Charging mode	Mode 3, Case B

Dimensions

Vehicle connector width	58.00 mm
Vehicle connector height	151.30 mm
Vehicle connector depth	238.70 mm
Infrastructure plug width	58.00 mm
Infrastructure plug height	151.30 mm
Infrastructure plug depth	249.20 mm
Conductor length	5 m

Ambient conditions

Ambient temperature (operation)	-30 °C ... 50 °C
Ambient temperature (storage/transport)	-40 °C ... 80 °C
Max. altitude	5000 m (above sea level)
Degree of protection	IP55 (plugged in; when plugged in and ready to operate, the degree of protection is only ensued if both plug-in components are original products from Phoenix Contact or suitable standard-compliant products)
	IP54 (Protective cap)

Electrical properties

Maximum charging power	24.39 kW
Number of phases	3
Number of power contacts	5 (L1, L2, L3, N, PE)
Rated current of power contacts	32 A
Rated voltage for power contacts	440 V
Number of signal contacts	2 (CP, CC)
Rated current for signal contacts	2 A
Rated voltage for signal contacts	30 V AC
Type of signal transmission	Pulse width modulation
Note on the connection method	Crimp connection, cannot be disconnected
Resistor coding	220 Ω + 3,3 kΩ (Lever actuated)
	220 Ω (Lever not actuated)

Mechanical properties

Insertion/withdrawal cycles	> 10000
Insertion force	< 100 N
Withdrawal force	< 100 N

Design

AC charging cable - EV-GBG3JK-3AC32A-5,0M6,0ESBK01 - 1624138

Technical data

Design

Design line	C-Line
Housing color	black
Mating face color	black
Color handle area	gray
Actuating element color	silver
Color protective cap	black
Customer variations	On request

Material

Housing material	Plastic
Material handle area	Soft plastic
Actuating lever material	Metal
Material protective cap	Soft plastic
Material mating face	Plastic
Material surface of contacts	Ag

Cable

Cable structure	5 x 6.0 mm ² + 1 x 0.5 mm ²
Wiring standards/regulations	prEN 50620 / DIN EN 50620
Wiring class	Class 5
Wiring certifications	VDE
External cable diameter	17 mm ±0.4 mm
Type of conductor	straight
Cable resistance	≤ 0.0033 Ω/m (based on a power core, at an ambient temperature of 20°C)
Outer sheath, material	TPE-U
External sheath, color	black
Minimum bending radius	255 mm (15 x diameter)

Locking

Locking type	Locking option for actuating lever with 4 mm U-lock
--------------	---

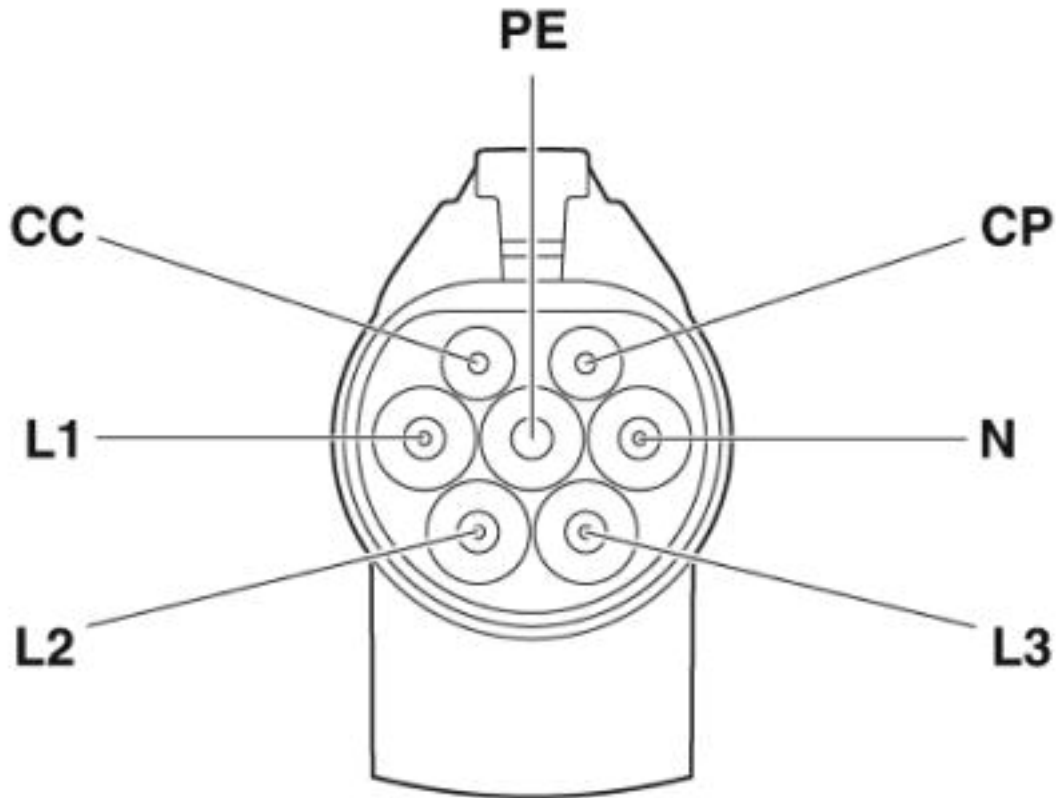
Environmental Product Compliance

	Lead 7439-92-1
China RoHS	Environmentally Friendly Use Period = 10;
	For details about hazardous substances go to tab "Downloads", Category "Manufacturer's declaration"

Drawings

AC charging cable - EV-GBG3JK-3AC32A-5,0M6,0ESBK01 - 1624138

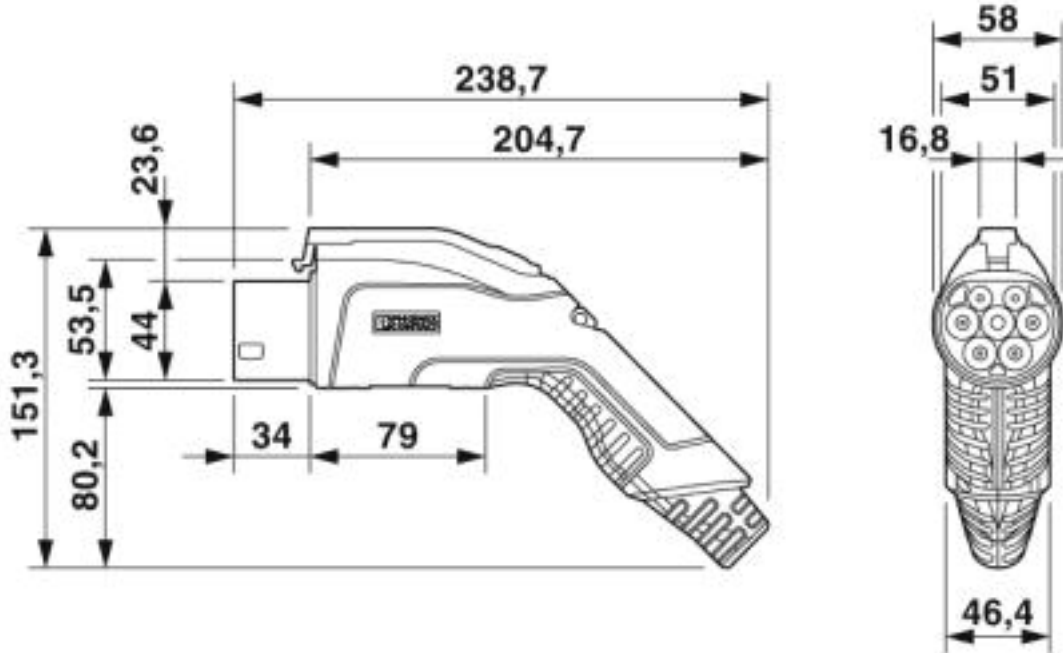
Connection diagram



Pin assignment of Infrastructure Plug

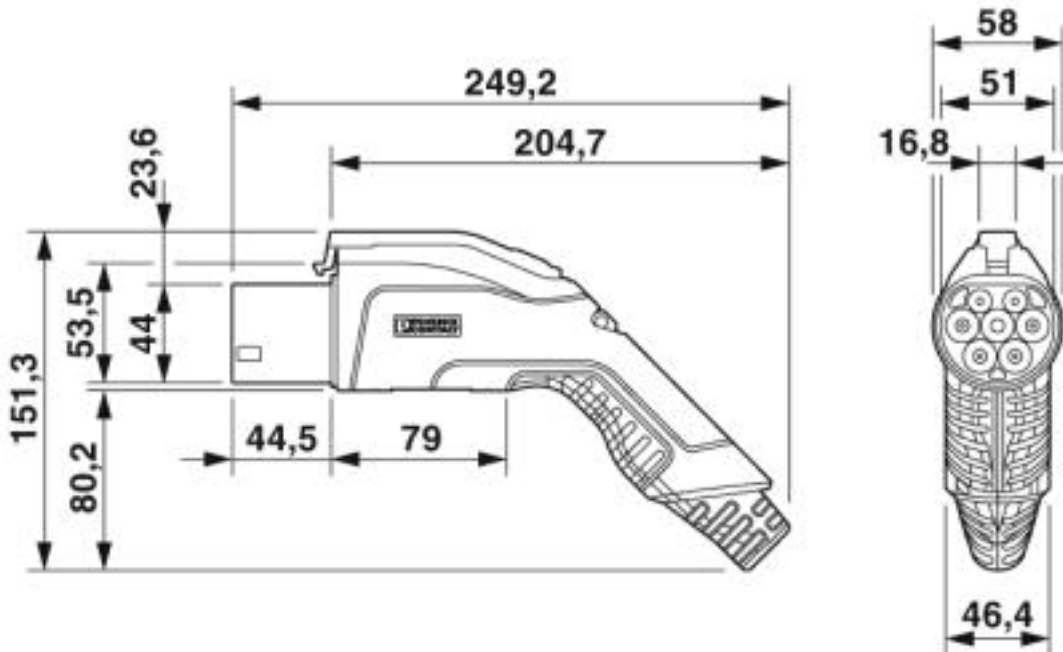
AC charging cable - EV-GBG3JK-3AC32A-5,0M6,0ESBK01 - 1624138

Dimensional drawing



Vehicle connector

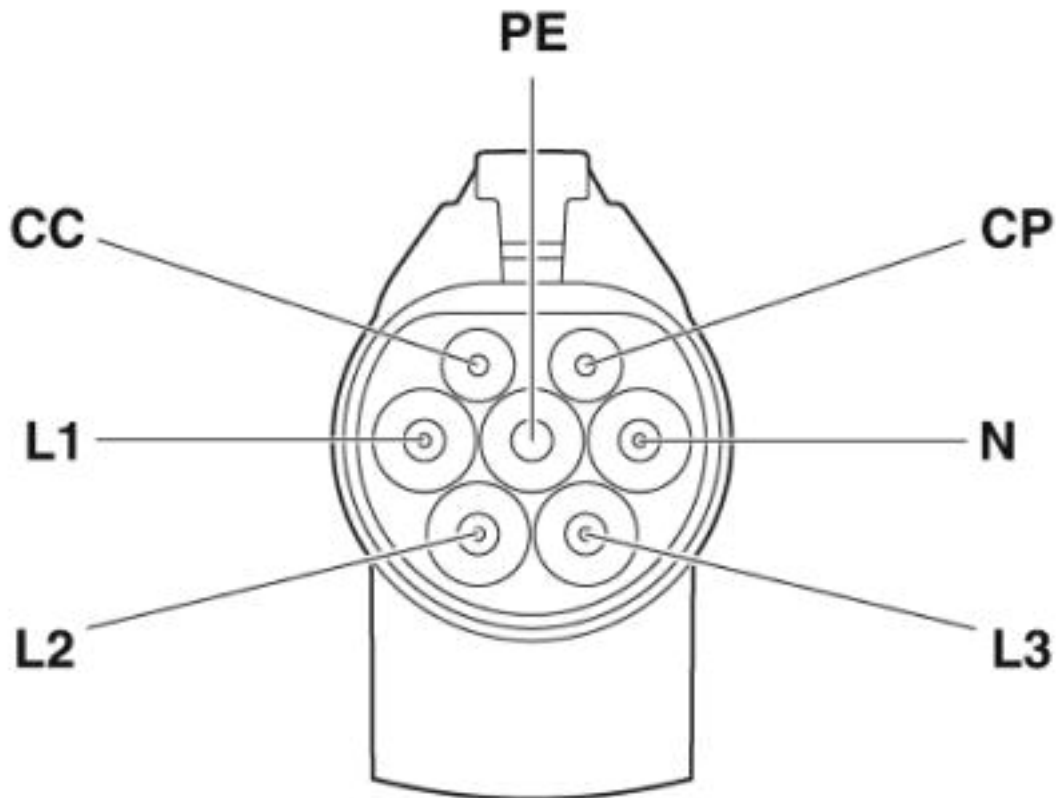
Dimensional drawing



Infrastructure plug

AC charging cable - EV-GBG3JK-3AC32A-5,0M6,0ESBK01 - 1624138

Schematic diagram



Pin assignment of the Vehicle Connector

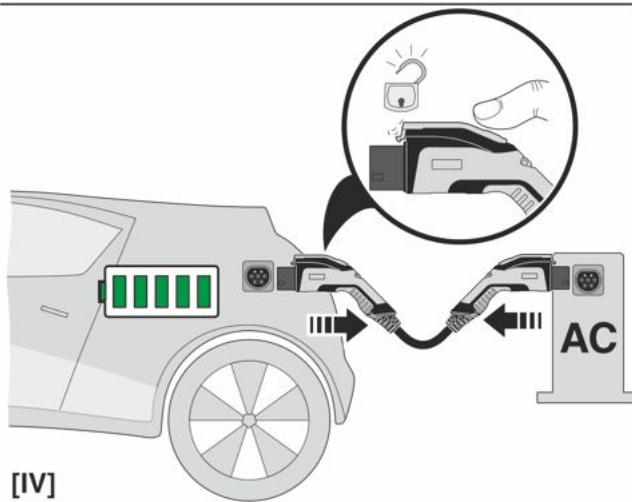
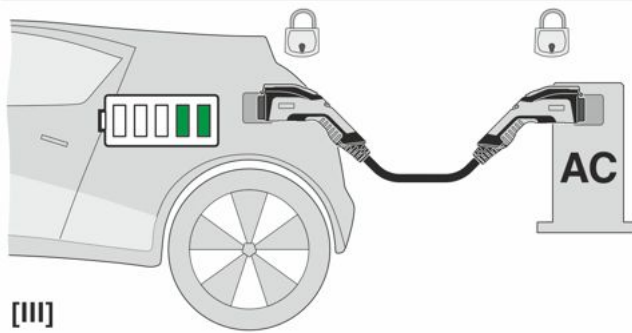
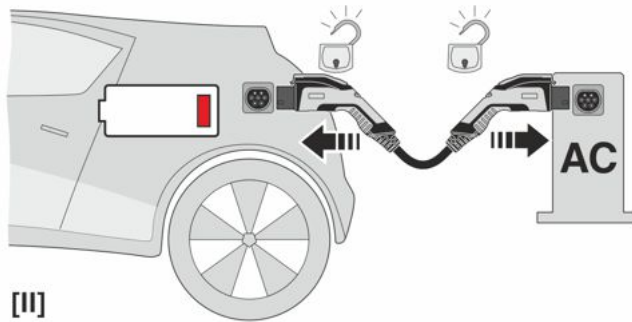
Schematic diagram



Terminology definition

AC charging cable - EV-GBG3JK-3AC32A-5,0M6,0ESBK01 - 1624138

Schematic diagram



AC charging cable - EV-GBG3JK-3AC32A-5,0M6,0ESBK01 - 1624138

Classifications

eCl@ss

eCl@ss 4.0	27140800
eCl@ss 4.1	27140800
eCl@ss 5.0	27143400
eCl@ss 5.1	27143400
eCl@ss 6.0	27143400
eCl@ss 7.0	27449001
eCl@ss 8.0	27449001
eCl@ss 9.0	27144705

ETIM

ETIM 3.0	EC002061
ETIM 4.0	EC002061
ETIM 5.0	EC002839
ETIM 6.0	EC002897
ETIM 7.0	EC002897

UNSPSC

UNSPSC 6.01	30211923
UNSPSC 7.0901	39121522
UNSPSC 11	39121522
UNSPSC 12.01	39121522
UNSPSC 13.2	39121522
UNSPSC 18.0	39121522
UNSPSC 19.0	39121522
UNSPSC 20.0	39121522
UNSPSC 21.0	39121522

Accessories

Accessories

Infrastructure socket outlet

Socket Outlet - EV-GBM3S-3AC32A-0,7M6,0E00 - 1408170



Infrastructure Socket Outlet for charging electric vehicles with alternating current (AC), compatible with Infrastructure Plugs, GB/T, GB/T 20234.2-2015, 32 A / 440 V (AC), Single wires, length: 0.7 m, Front and rear mounting, Rear protective cover screw connection, NOTE This product version does not include a locking actuator.

AC charging cable - EV-GBG3JK-3AC32A-5,0M6,0ESBK01 - 1624138

Accessories

Socket Outlet - EV-GBM3SE12-3AC32A-0,7M6,0E10 - 1408172



Infrastructure Socket Outlet for charging electric vehicles with alternating current (AC), compatible with Infrastructure Plugs, GB/T, GB/T 20234.2-2015, 32 A / 440 V (AC), 12 V Locking actuator, Single wires, length: 0.7 m, Rear panel mounting, Rear protective cover screw connection

Socket Outlet - EV-GBM3SE12-3AC32A-0,7M6,0E10T - 1627558



Infrastructure Socket Outlet for charging electric vehicles with alternating current (AC), compatible with Infrastructure Plugs, GB/T, GB/T 20234.2-2015, 32 A / 440 V (AC), 12 V Locking actuator, Single wires, length: 0.7 m, Rear panel mounting, Rear protective cover screw connection, With temperature measurement via Pt 1000 sensors

Park position

Park position - EV-GBAC-PARK - 1624142



Retainer for Vehicle Connector as parking position at charging stations (EVSE), GB/T, GB/T 20234.2, Front mounting