

## Junction box - C1 S6 A 200X300X160 - 0899054

Please be informed that the data shown in this PDF Document is generated from our Online Catalog. Please find the complete data in the user's documentation. Our General Terms of Use for Downloads are valid (<http://phoenixcontact.com/download>)




Junction box, With flange plate fixing, below, material: Stainless steel, 316L/1.4404, surface resistance: brushed, silver, 200 mm x 300 mm x 160 mm, type of locking: Door with replaceable hinge, scope of supply - ATD: Door hinge with quarter turn locking, Mounting plate, Double-bit key, Fixing angle with mounting screws, M12 grounding bolts, affixed externally, Installation notes, Door hinge with quarter turn locking

### Your advantages

- ✓ Innovative product range of high-quality stainless steel housings as the basis for individual terminal boxes
- ✓ Reduced assembly and approval effort thanks to ready-equipped terminal boxes
- ✓ Flange plates possible on four sides of the housing, including seal protection
- ✓ Housing adjustments using threads, bore holes, and rectangular cutouts with consideration given to normative specifications

### Key Commercial Data

Packing unit	1 pc
GTIN	 4 046356 928151
GTIN	4046356928151
Weight per Piece (excluding packing)	4,710.000 g
Custom tariff number	94032080
Country of origin	Germany
Note	Made to Order (non-returnable)

### Technical data

#### General

Scope of supply	Door hinge with quarter turn locking
	Mounting plate
	Double-bit key
	Fixing angle with mounting screws
	M12 grounding bolts, affixed externally
	Installation notes
	Flange plates
Color	silver

## Junction box - C1 S6 A 200X300X160 - 0899054

### Technical data

#### Dimensions

Width	200 mm
Height	300 mm
Depth	160 mm
Clearance width, maximum DIN rail length	144 mm
Max. material thickness	1.5 mm

#### General

Housing material	Stainless steel, 316L/1.4404
Surface characteristics	brushed
Note	240 grain
Cover fastening	Door with replaceable hinge
Note	Quarter turn locking with two-way key bit
Fixing device	External fixing clips
Seal material	Silicon

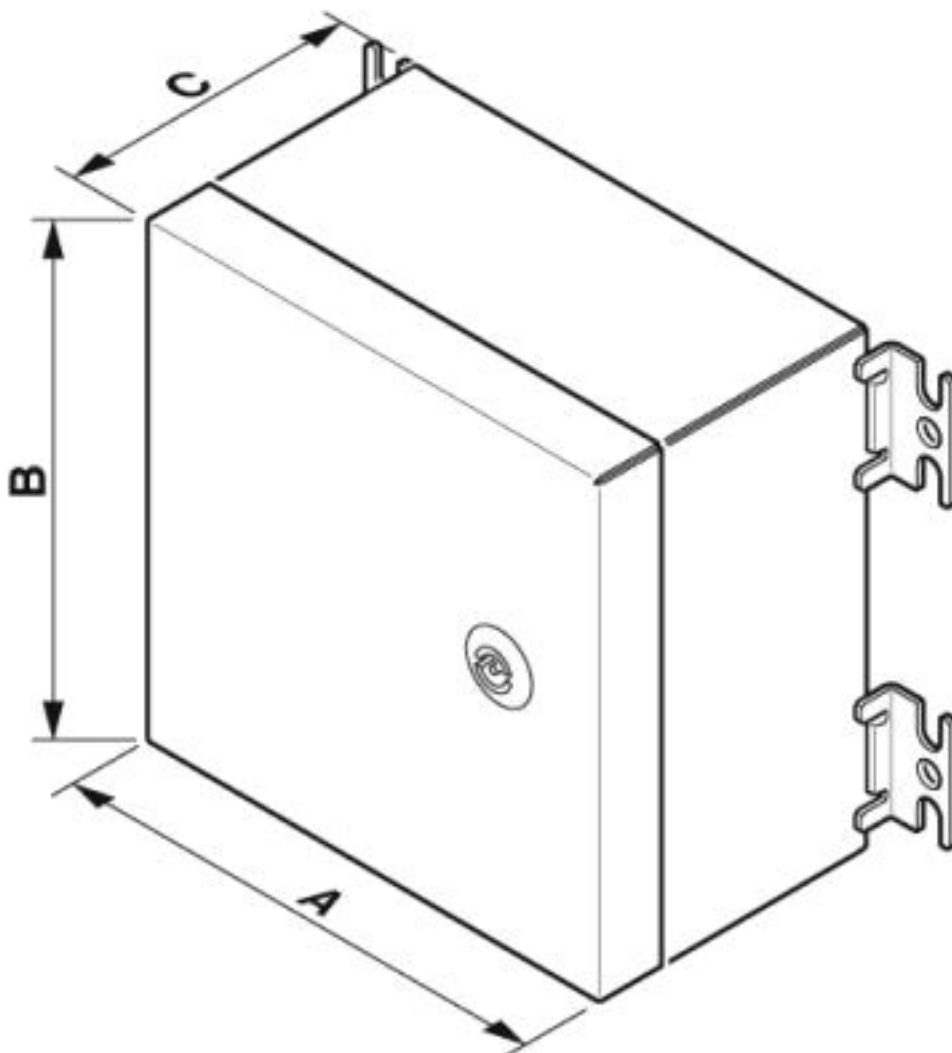
#### Ambient conditions

Degree of protection of housing (IP)	IP66
Protection class	I
Degree of protection (IK)	7.00 J
Temperature in operating conditions	-55 °C ... 135 °C

### Drawings

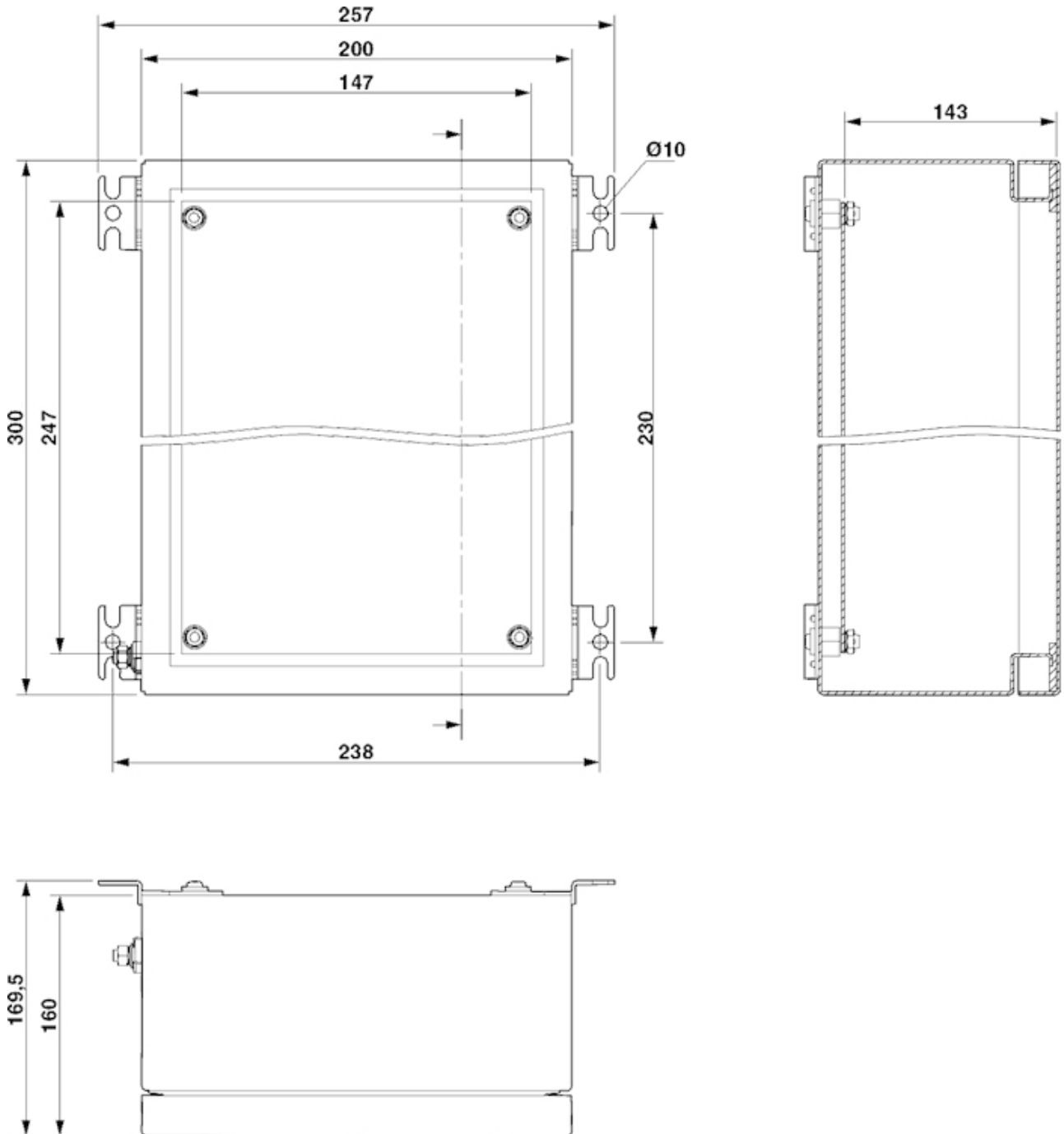
## Junction box - C1 S6 A 200X300X160 - 0899054

Schematic diagram



# Junction box - C1 S6 A 200X300X160 - 0899054

Dimensional drawing



# Junction box - C1 S6 A 200X300X160 - 0899054

## Classifications

### eCl@ss

eCl@ss 10.0.1	27180190
eCl@ss 4.0	27180100
eCl@ss 4.1	27180100
eCl@ss 5.0	27180500
eCl@ss 5.1	27180100
eCl@ss 6.0	27180100
eCl@ss 7.0	27180190
eCl@ss 8.0	27180190
eCl@ss 9.0	27180190

### ETIM

ETIM 4.0	EC000261
ETIM 5.0	EC000261
ETIM 6.0	EC000261
ETIM 7.0	EC000261

### UNSPSC

UNSPSC 13.2	31261502
UNSPSC 18.0	31261502
UNSPSC 19.0	31261502
UNSPSC 20.0	31261502
UNSPSC 21.0	31261502

## Approvals

### Approvals

---

#### Approvals

UL Listed / cUL Listed / DNV GL / cULus Listed

---

#### Ex Approvals

IECEX / ATEX / EAC Ex

---

### Approval details

UL Listed		<a href="http://database.ul.com/cgi-bin/XYV/template/LISEXT/1FRAME/index.htm">http://database.ul.com/cgi-bin/XYV/template/LISEXT/1FRAME/index.htm</a>	E471053
-----------	--	---	---------

# Junction box - C1 S6 A 200X300X160 - 0899054

## Approvals

cUL Listed		<a href="http://database.ul.com/cgi-bin/XYV/template/LISEXT/1FRAME/index.htm">http://database.ul.com/cgi-bin/XYV/template/LISEXT/1FRAME/index.htm</a>	E471053
------------	--	---	---------

DNV GL		<a href="https://approvalfinder.dnvgl.com/">https://approvalfinder.dnvgl.com/</a>	TAE00001HA
--------	--	---	------------

cULus Listed			
--------------	--	--	--

## Accessories

### Accessories

#### Mounting plate

Mounting plate - AE MP SH 300X200 - 0161967



Mounting plate, width: 144 mm, height: 244 mm, color: silver

---

### Screwdriver tools

Screwdriver - SF-BIT-HEX 3-50 - 1212647



Screw bit, hexagon, E6.3-1/4" drive, size: Hex 3 x 50 mm, hardened, suitable for holder according to DIN 3126-F6.3/ISO 1173

Screwdriver - SF-BIT-HEX 4-50 - 1212648



Screw bit, hexagon, E6.3-1/4" drive, size: Hex 4 x 50 mm, hardened, suitable for holder according to DIN 3126-F6.3/ISO 1173

---

### Torque tool

## Junction box - C1 S6 A 200X300X160 - 0899054

### Accessories

Torque screwdriver - TSD-M 6NM - 1212226



Torque screw driver, accuracy as per EN ISO 6789 standard, adjustable from 3 - 6 Nm

---

### Universal tools

Control cabinet key - USS 4 - 1203149



Control cabinet key, metal, for all common types of control cabinet