

Cable gland - HC-K-KV-M25(8-17)BK - 1411258

Please be informed that the data shown in this PDF Document is generated from our Online Catalog. Please find the complete data in the user's documentation. Our General Terms of Use for Downloads are valid (<http://phoenixcontact.com/download>)




Plastic screw connection, IP68, up to 5 bar, thread length: 8 mm, cable diameter: 8 - 17 mm, WAF 29, screw connection: M25

Product Description

Plastic cable gland



Key Commercial Data

Packing unit	10 pc
Minimum order quantity	10 pc
GTIN	 4 046356 914116
GTIN	4046356914116
Weight per Piece (excluding packing)	17.300 g
Custom tariff number	39269097
Country of origin	Germany
Note	Made to Order (non-returnable)

Technical data

Dimensions

Length	35 mm
Wrench size, union nut	29 mm
Wrench size, support	29 mm
Hexagon angular dimension	32 mm
Length of the connecting thread	8 mm
External cable diameter	8 mm ... 17 mm

Ambient conditions

Degree of protection	IP68 (up to 5 bar)
Ambient temperature (operation)	-20 °C ... 100 °C

General

Cable gland - HC-K-KV-M25(8-17)BK - 1411258

Technical data

General

Type of the screw connection	M25
No. of conductors	1
Cable gland material	PA
Sealing material	CR/NBR (Cable seal sealing ring, outer part)
Flammability rating according to UL 94	V2
Shielded	no
Thread type on connection side	M25 x 1.5
Torque	5 Nm (Union nut)
	5 Nm (Support sleeve)
Color	jet black RAL 9005

Standards and Regulations

Flammability rating according to UL 94	V2
--	----

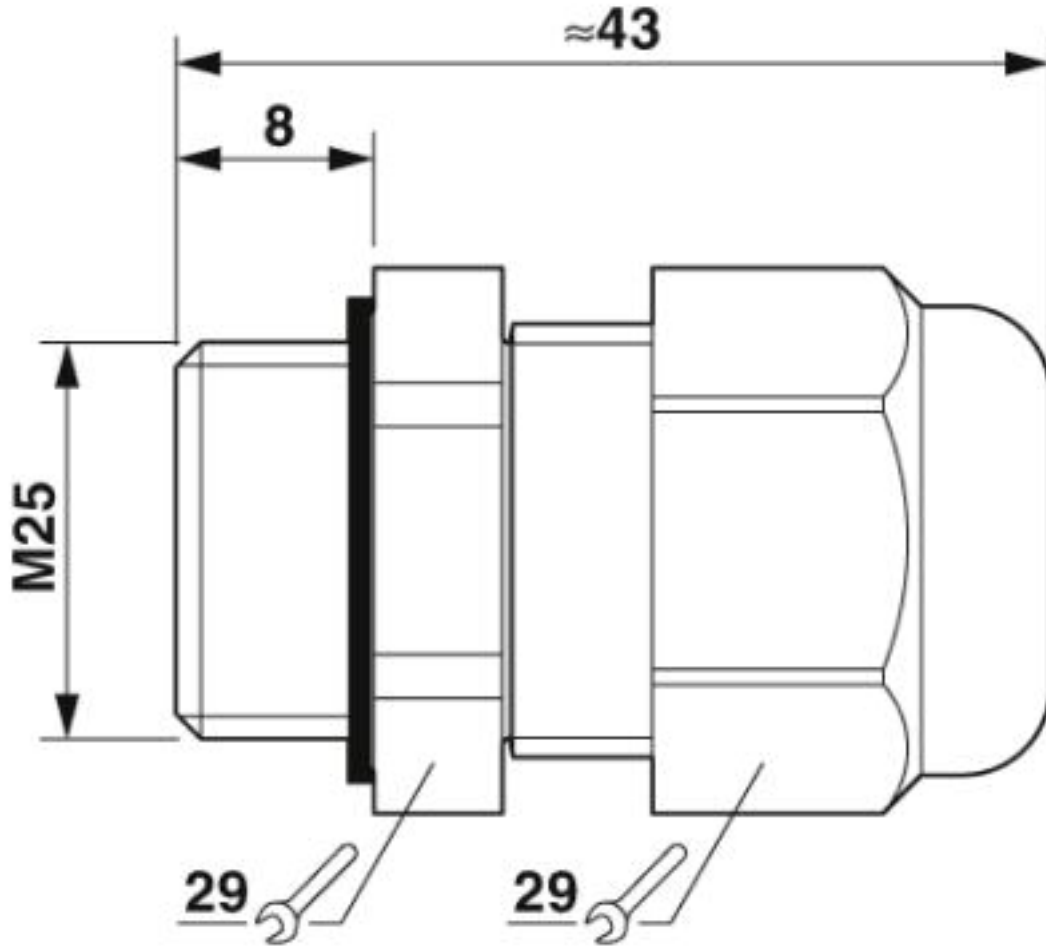
Environmental Product Compliance

China RoHS	Environmentally friendly use period: unlimited = EFUP-e
	No hazardous substances above threshold values

Drawings

Cable gland - HC-K-KV-M25(8-17)BK - 1411258

Dimensional drawing



Dimensional drawing

Classifications

eCl@ss

eCl@ss 4.0	27141200
eCl@ss 4.1	27141200
eCl@ss 5.0	27149100
eCl@ss 5.1	27149100
eCl@ss 6.0	27149100
eCl@ss 7.0	27149109
eCl@ss 8.0	27149109
eCl@ss 9.0	27144432

ETIM

ETIM 4.0	EC000441
----------	----------

Cable gland - HC-K-KV-M25(8-17)BK - 1411258

Classifications

ETIM

ETIM 5.0	EC000441
ETIM 6.0	EC000441
ETIM 7.0	EC000441

UNSPSC

UNSPSC 13.2	39121311
UNSPSC 18.0	39121311
UNSPSC 19.0	39121311
UNSPSC 20.0	39121311
UNSPSC 21.0	39121311

Approvals

Approvals

Approvals

UL Recognized / cUL Recognized / EAC / cULus Recognized

Ex Approvals

Approval details

UL Recognized		http://database.ul.com/cgi-bin/XYV/template/LISEXT/1FRAME/index.htm	E326410
---------------	--	---	---------

cUL Recognized		http://database.ul.com/cgi-bin/XYV/template/LISEXT/1FRAME/index.htm	E326410
----------------	--	---	---------

EAC			RU C- DE.AI30.B.01102
-----	--	--	--------------------------

cULus Recognized			
------------------	--	--	--

Accessories

Accessories

Cable gland - HC-K-KV-M25(8-17)BK - 1411258

Accessories

Flat nut

Counter nut - A-INL-M25-P-BK - 1411216



Counter nut, material: PA, for threads M25 x 1.5, color: jet black RAL 9005

Sealing plugs

Closing cap - SEALING PLUG 13X22 RD - 1400265



Closing cap, material: PA, color: red