

Cable gland - HC-K-KV-M32(12-21)BK - 1407673


Please be informed that the data shown in this PDF Document is generated from our Online Catalog. Please find the complete data in the user's documentation. Our General Terms of Use for Downloads are valid (<http://phoenixcontact.com/download>)



Plastic screw connection up to 5 bar, thread length: 10 mm, cable diameter: 12 - 21 mm, WAF 36, screw connection: M32

RoHS

Key Commercial Data

Packing unit	10 pc
Minimum order quantity	10 pc
GTIN	 4 046356 776417
GTIN	4046356776417
Weight per Piece (excluding packing)	27.950 g
Custom tariff number	39269097
Country of origin	Germany
Note	Made to Order (non-returnable)

Technical data

Dimensions

Length	40 mm
Wrench size, union nut	36 mm
Wrench size, support	36 mm
Hexagon angular dimension	40 mm
Length of the connecting thread	10 mm
External cable diameter	12 mm ... 21 mm

Ambient conditions

Degree of protection	IP68 (up to 5 bar)
Ambient temperature (operation)	-20 °C ... 100 °C

General

Type of the screw connection	M32
No. of conductors	1

Cable gland - HC-K-KV-M32(12-21)BK - 1407673

Technical data

General

Cable gland material	PA
Sealing material	CR/NBR (Cable seal sealing ring, outer part)
Flammability rating according to UL 94	V2
Shielded	no
Thread type on connection side	M32 x 1.5
Torque	7.5 Nm (Union nut)
	7.5 Nm (Support sleeve)
Color	jet black RAL 9005

Standards and Regulations

Flammability rating according to UL 94	V2
--	----

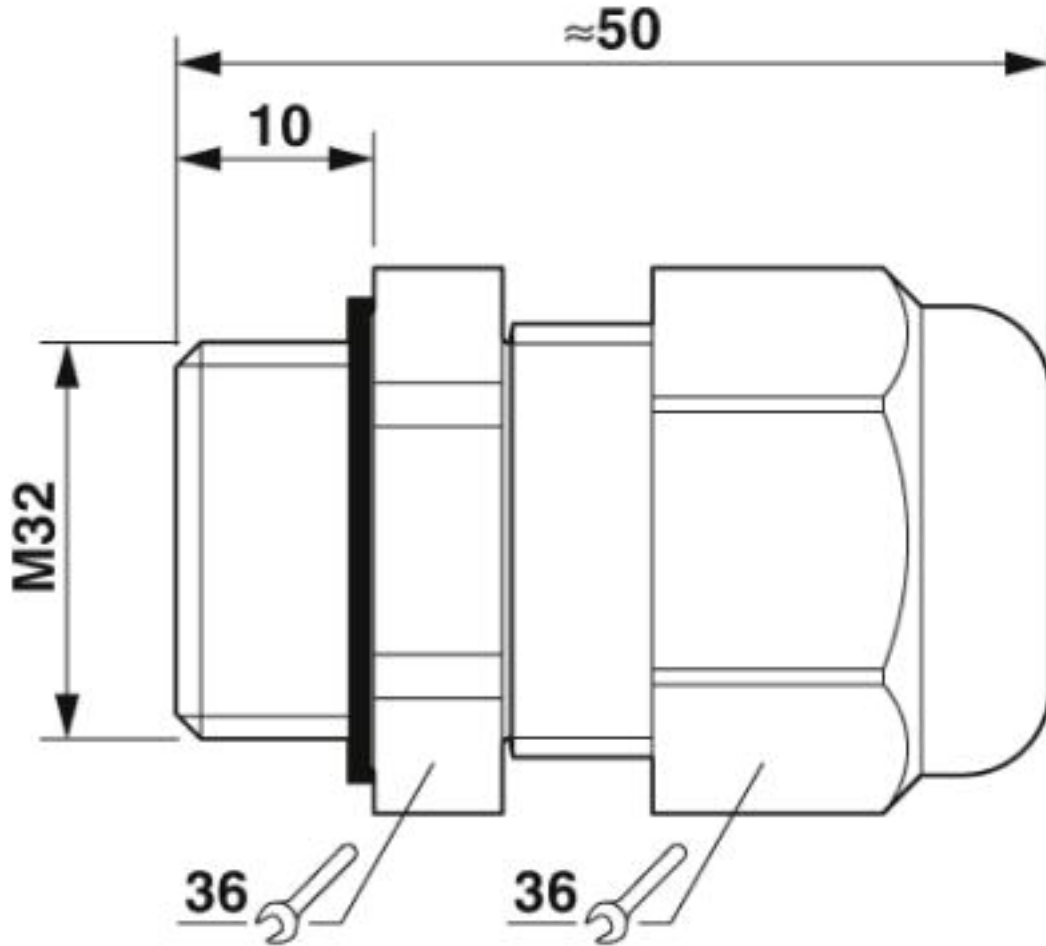
Environmental Product Compliance

China RoHS	Environmentally friendly use period: unlimited = EFUP-e
	No hazardous substances above threshold values

Drawings

Cable gland - HC-K-KV-M32(12-21)BK - 1407673

Dimensional drawing



Dimensional drawing

Classifications

eCl@ss

eCl@ss 4.0	27140800
eCl@ss 4.1	27140800
eCl@ss 5.0	27149100
eCl@ss 5.1	27143400
eCl@ss 6.0	27149100
eCl@ss 7.0	27149109
eCl@ss 8.0	27149109
eCl@ss 9.0	27144432

ETIM

ETIM 3.0	EC000441
----------	----------

Cable gland - HC-K-KV-M32(12-21)BK - 1407673

Classifications

ETIM

ETIM 4.0	EC000441
ETIM 5.0	EC000441
ETIM 6.0	EC000441
ETIM 7.0	EC000441

UNSPSC

UNSPSC 6.01	31261502
UNSPSC 7.0901	31261502
UNSPSC 11	31261502
UNSPSC 12.01	31261502
UNSPSC 13.2	39121311
UNSPSC 18.0	39121311
UNSPSC 19.0	39121311
UNSPSC 20.0	39121311
UNSPSC 21.0	39121311

Approvals

Approvals

Approvals

UL Recognized / cUL Recognized / EAC / cULus Recognized

Ex Approvals

Approval details

UL Recognized		http://database.ul.com/cgi-bin/XYV/template/LISEXT/1FRAME/index.htm	E326410
---------------	--	---	---------

cUL Recognized		http://database.ul.com/cgi-bin/XYV/template/LISEXT/1FRAME/index.htm	E326410
----------------	--	---	---------

EAC		RU C- DE.AI30.B.01102
-----	--	--------------------------

Cable gland - HC-K-KV-M32(12-21)BK - 1407673

Approvals

cULus Recognized



Accessories

Accessories

Flat nut

Counter nut - A-INL-M32-P-BK - 1411217



Counter nut, material: PA, for threads M32 x 1.5, color: jet black RAL 9005

Sealing plugs

Closing cap - SEALING PLUG 17X17 RD - 1421861



Closing cap, material: PA, color: red