

## Cable gland - HC-K-KV-M40(16-28)BK - 1407674

Please be informed that the data shown in this PDF Document is generated from our Online Catalog. Please find the complete data in the user's documentation. Our General Terms of Use for Downloads are valid (<http://phoenixcontact.com/download>)




Plastic screw connection up to 5 bar, thread length: 10 mm, cable diameter: 16 - 28 mm, WAF 46, screw connection: M40

### Product Description

Plastic cable gland



### Key Commercial Data

Packing unit	10 pc
Minimum order quantity	10 pc
GTIN	 4 046356 776424
GTIN	4046356776424
Weight per Piece (excluding packing)	49.760 g
Custom tariff number	39269097
Country of origin	Germany
Note	Made to Order (non-returnable)

### Technical data

#### Dimensions

Length	41 mm
Wrench size, union nut	46 mm
Wrench size, support	46 mm
Hexagon angular dimension	51 mm
Length of the connecting thread	10 mm
External cable diameter	16 mm ... 28 mm

#### Ambient conditions

Degree of protection	IP68 (up to 5 bar)
Ambient temperature (operation)	-20 °C ... 100 °C

#### General

## Cable gland - HC-K-KV-M40(16-28)BK - 1407674

### Technical data

#### General

Type of the screw connection	M40
No. of conductors	1
Cable gland material	PA
Sealing material	CR/NBR (Cable seal sealing ring, outer part)
Flammability rating according to UL 94	V2
Shielded	no
Thread type on connection side	M40 x 1.5
Torque	7.5 Nm (Union nut) 7.5 Nm (Support sleeve)
Color	jet black RAL 9005

#### Standards and Regulations

Flammability rating according to UL 94	V2
--	----

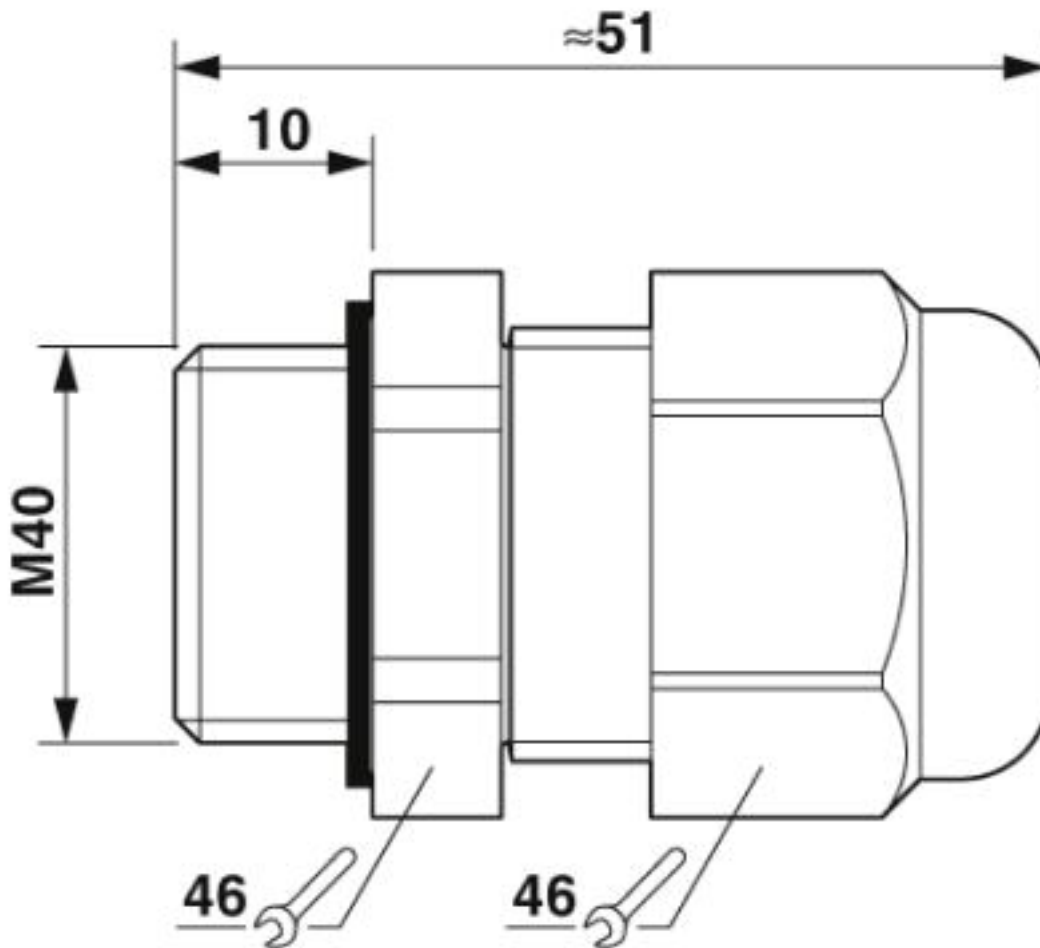
#### Environmental Product Compliance

China RoHS	Environmentally friendly use period: unlimited = EFUP-e
	No hazardous substances above threshold values

### Drawings

# Cable gland - HC-K-KV-M40(16-28)BK - 1407674

Dimensional drawing



Dimensional drawing

## Classifications

eCl@ss

eCl@ss 4.0	27140800
eCl@ss 4.1	27140800
eCl@ss 5.0	27149100
eCl@ss 5.1	27143400
eCl@ss 6.0	27149100
eCl@ss 7.0	27149109
eCl@ss 8.0	27149109
eCl@ss 9.0	27144432

ETIM

ETIM 3.0	EC000441
----------	----------

# Cable gland - HC-K-KV-M40(16-28)BK - 1407674

## Classifications

### ETIM

ETIM 4.0	EC000441
ETIM 5.0	EC000441
ETIM 6.0	EC000441
ETIM 7.0	EC000441

### UNSPSC

UNSPSC 6.01	31261502
UNSPSC 7.0901	31261502
UNSPSC 11	31261502
UNSPSC 12.01	31261502
UNSPSC 13.2	39121311
UNSPSC 18.0	39121311
UNSPSC 19.0	39121311
UNSPSC 20.0	39121311
UNSPSC 21.0	39121311

## Approvals

### Approvals

---

#### Approvals

UL Recognized / cUL Recognized / EAC / cULus Recognized

---

#### Ex Approvals

---

### Approval details

UL Recognized		<a href="http://database.ul.com/cgi-bin/XYV/template/LISEXT/1FRAME/index.htm">http://database.ul.com/cgi-bin/XYV/template/LISEXT/1FRAME/index.htm</a>	E326410
---------------	--	---	---------

cUL Recognized		<a href="http://database.ul.com/cgi-bin/XYV/template/LISEXT/1FRAME/index.htm">http://database.ul.com/cgi-bin/XYV/template/LISEXT/1FRAME/index.htm</a>	E326410
----------------	--	---	---------

EAC		RU C- DE.AI30.B.01102
-----	--	--------------------------

## Cable gland - HC-K-KV-M40(16-28)BK - 1407674

### Approvals

cULus Recognized



### Accessories

#### Accessories

##### Flat nut

Counter nut - A-INL-M40-P-BK - 1411218



Counter nut, material: PA, for threads M40 x 1.5, color: jet black RAL 9005

##### Sealing plugs

Closing cap - SEALING PLUG 20X22 RD - 1421862



Closing cap, material: PA, color: red