

Sealing cap - PROT-M12FS VPE1000 - 1409252

Please be informed that the data shown in this PDF Document is generated from our Online Catalog. Please find the complete data in the user's documentation. Our General Terms of Use for Downloads are valid (<http://phoenixcontact.com/download>)




M12 sealing cap for unoccupied M12 plugs of the sensor/actuator cable, flush-type plugs and I/O devices in the field

Your advantages

- Sealing caps with external or inner thread
- Printed or unprinted marking labels

Key Commercial Data

Packing unit	1000 pc
Minimum order quantity	1000 pc
GTIN	 4 046356 865111
GTIN	4046356865111
Weight per Piece (excluding packing)	1.400 g
Custom tariff number	39235090
Country of origin	Germany
Note	Made to Order (non-returnable)

Technical data

Ambient conditions

Ambient temperature (operation)	-40 °C ... 90 °C
Degree of protection	IP67

Material

Flammability rating according to UL 94	HB
Sealing material	NBR

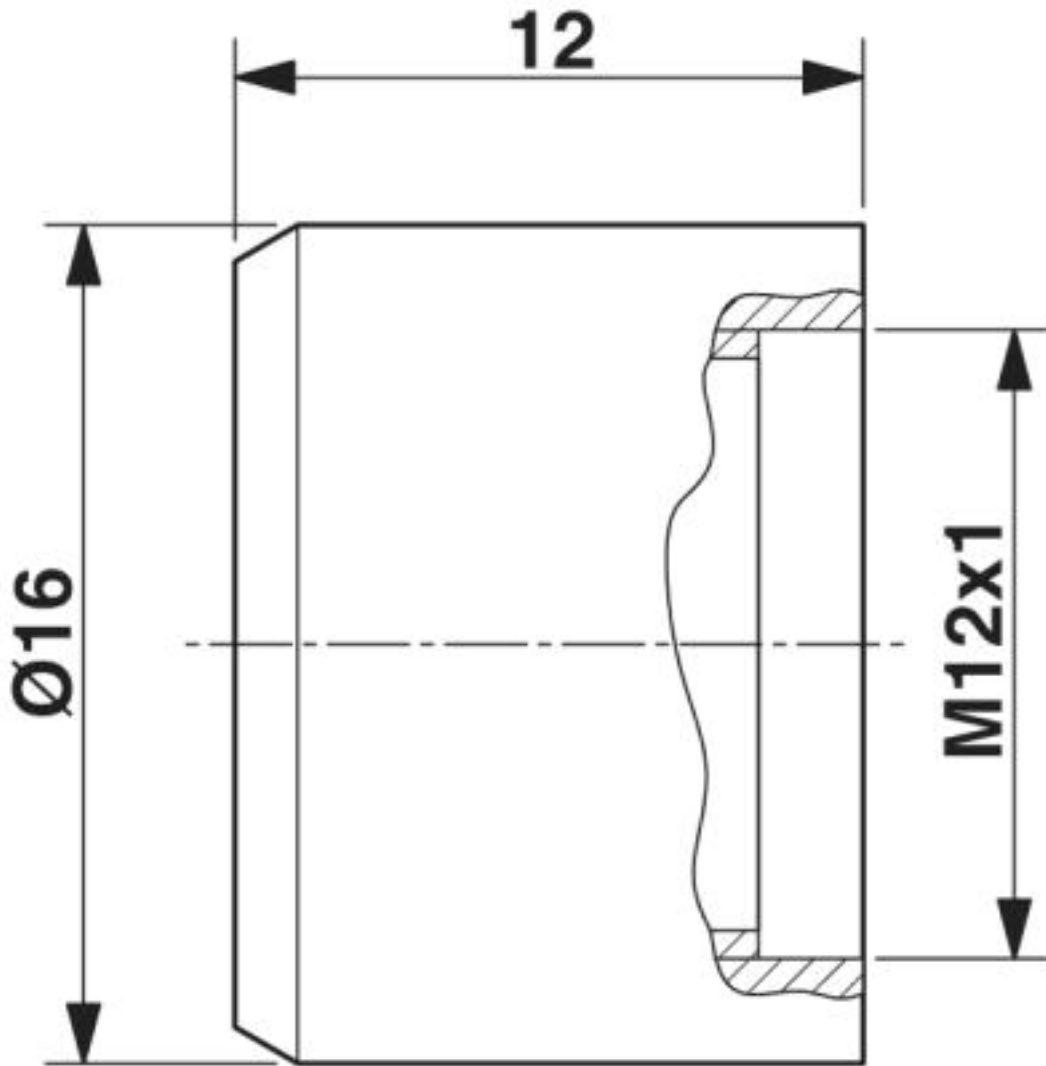
Standards and Regulations

Flammability rating according to UL 94	HB
--	----

Sealing cap - PROT-M12FS VPE1000 - 1409252

Drawings

Dimensional drawing



Classifications

eCl@ss

eCl@ss 10.0.1	27371392
eCl@ss 4.0	27378000
eCl@ss 4.1	27378000
eCl@ss 5.0	27379100
eCl@ss 5.1	27379100
eCl@ss 6.0	27379200
eCl@ss 7.0	27379201
eCl@ss 8.0	27379201

Sealing cap - PROT-M12FS VPE1000 - 1409252

Classifications

eCl@ss

eCl@ss 9.0	27379201
------------	----------

ETIM

ETIM 4.0	EC002498
ETIM 5.0	EC002498
ETIM 6.0	EC002498
ETIM 7.0	EC002498

UNSPSC

UNSPSC 6.01	31251501
UNSPSC 7.0901	31251501
UNSPSC 11	31251501
UNSPSC 12.01	31251501
UNSPSC 13.2	39121421
UNSPSC 18.0	39121421
UNSPSC 19.0	39121421
UNSPSC 20.0	39121421
UNSPSC 21.0	39121421