

## Sealing cap - PROT-MINFS-PA VPE100 - 1410133


Please be informed that the data shown in this PDF Document is generated from our Online Catalog. Please find the complete data in the user's documentation. Our General Terms of Use for Downloads are valid (<http://phoenixcontact.com/download>)



Sealing cap, 7/8", plastic, for sensor cables, for 7/8" plugs



### Key Commercial Data

Packing unit	100 pc
Minimum order quantity	500 pc
GTIN	 4 046356 893497
GTIN	4046356893497
Weight per Piece (excluding packing)	7.740 g
Custom tariff number	39269097
Country of origin	Germany
Note	Made to Order (non-returnable)

### Technical data

#### Ambient conditions

Degree of protection	IP65
	IP67

#### Material

Flammability rating according to UL 94	V0
Material	PA 6.6 GF
Sealing material	NBR

#### Standards and Regulations

Flammability rating according to UL 94	V0
--	----

#### Environmental Product Compliance

	Lead 7439-92-1
China RoHS	Environmentally Friendly Use Period = 50

# Sealing cap - PROT-MINFS-PA VPE100 - 1410133

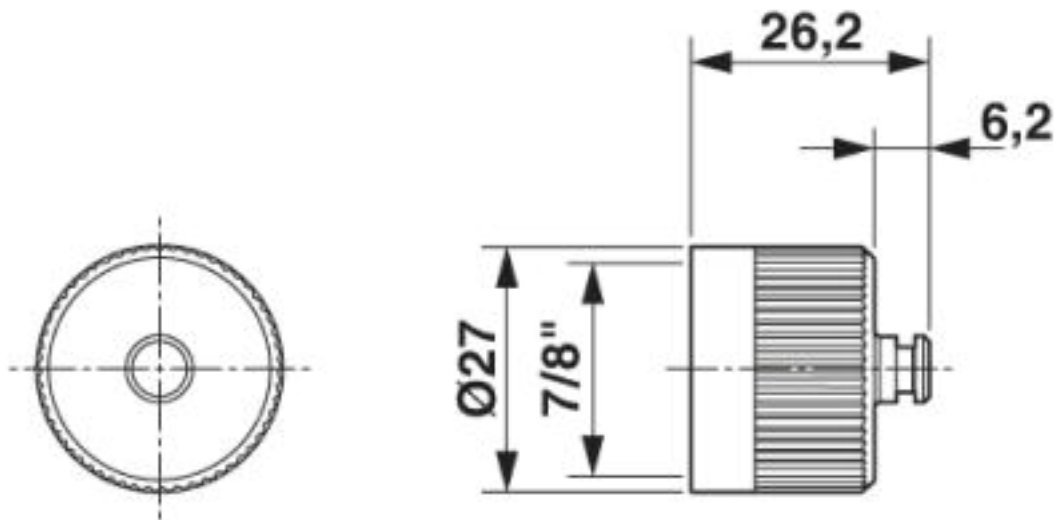
## Technical data

### Environmental Product Compliance

	For details about hazardous substances go to tab "Downloads", Category "Manufacturer's declaration"
--	---

## Drawings

Dimensional drawing



Dimensional drawing

## Classifications

### eCl@ss

eCl@ss 10.0.1	23111190
eCl@ss 4.0	27060300
eCl@ss 4.1	27060300
eCl@ss 5.0	27061800
eCl@ss 5.1	27061800
eCl@ss 6.0	27261200
eCl@ss 7.0	27440208
eCl@ss 8.0	27440208
eCl@ss 9.0	23111190

### ETIM

ETIM 4.0	EC002040
ETIM 5.0	EC002040
ETIM 6.0	EC000032
ETIM 7.0	EC000032

