


## Digital display - MCR-SL-D-FIT - 2864024

Please be informed that the data shown in this PDF Document is generated from our Online Catalog. Please find the complete data in the user's documentation. Our General Terms of Use for Downloads are valid (<http://phoenixcontact.com/download>)



MCR digital display, for measuring and displaying frequencies, pulses and times, 6-fig. display

### Key Commercial Data

Packing unit	1 pc
GTIN	 4 017918 976477
GTIN	4017918976477
Weight per Piece (excluding packing)	92.600 g
Custom tariff number	90291000
Country of origin	Germany

### Technical data

#### Dimensions

Width	48 mm
Height	24 mm
Depth	68 mm

#### Ambient conditions

Ambient temperature (operation)	-20 °C ... 65 °C
Ambient temperature (storage/transport)	-25 °C ... 70 °C
Degree of protection	IP65 (Front)
Noise immunity	EN 61000-6-2

#### Input data

Input resistance of voltage input	10 kΩ
-----------------------------------	-------

#### Switching output

Output name	1 NPN optocoupler
Maximum switching voltage	30 V DC

# Digital display - MCR-SL-D-FIT - 2864024

## Technical data

### Switching output

Max. switching current	10 mA
------------------------	-------

### Power supply

Supply voltage range	10 V DC ... 30 V DC
Max. current consumption	max. 40 mA

### Connection data

Connection method	Pluggable screw connection
Stripping length	8 mm
Screw thread	M3
Conductor cross section solid	0.14 mm <sup>2</sup> ... 1 mm <sup>2</sup>
Conductor cross section flexible	0.14 mm <sup>2</sup> ... 1.5 mm <sup>2</sup>
Conductor cross section AWG	26 ... 16

### General

Noise emission	EN 55011 / class B
Noise immunity	EN 61000-6-2
Color	gray
Housing material	Macrolon 2405
Conformance	CE-compliant
UL, USA/Canada	UL 863

### Standards and Regulations

Noise emission	EN 55011 / class B
Noise immunity	EN 61000-6-2
	EN 61000-4-2
Connection in acc. with standard	CUL
Conformance	CE-compliant
UL, USA/Canada	UL 863

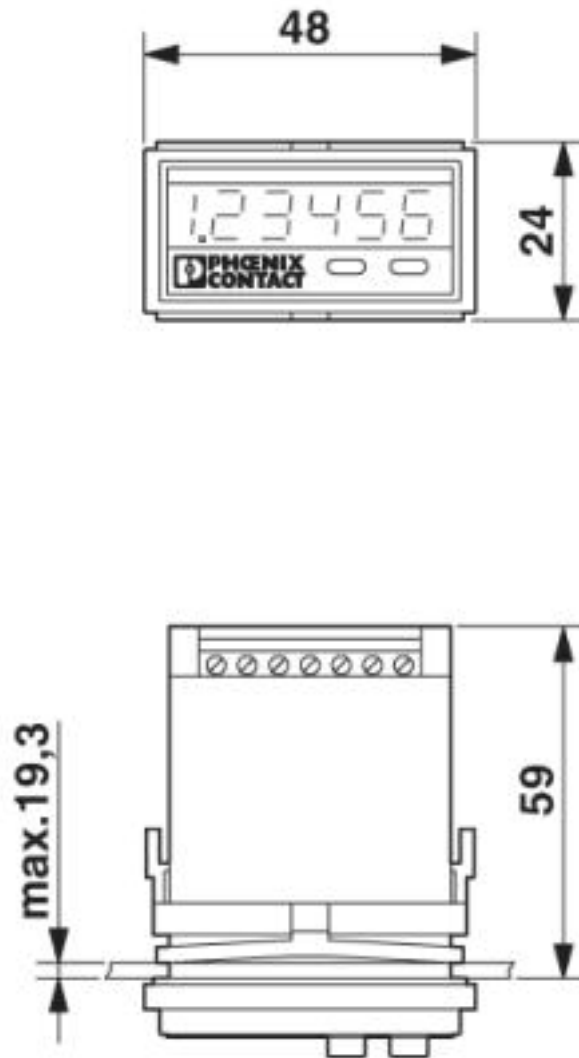
### Environmental Product Compliance

China RoHS	Environmentally friendly use period: unlimited = EFUP-e
	No hazardous substances above threshold values

## Drawings

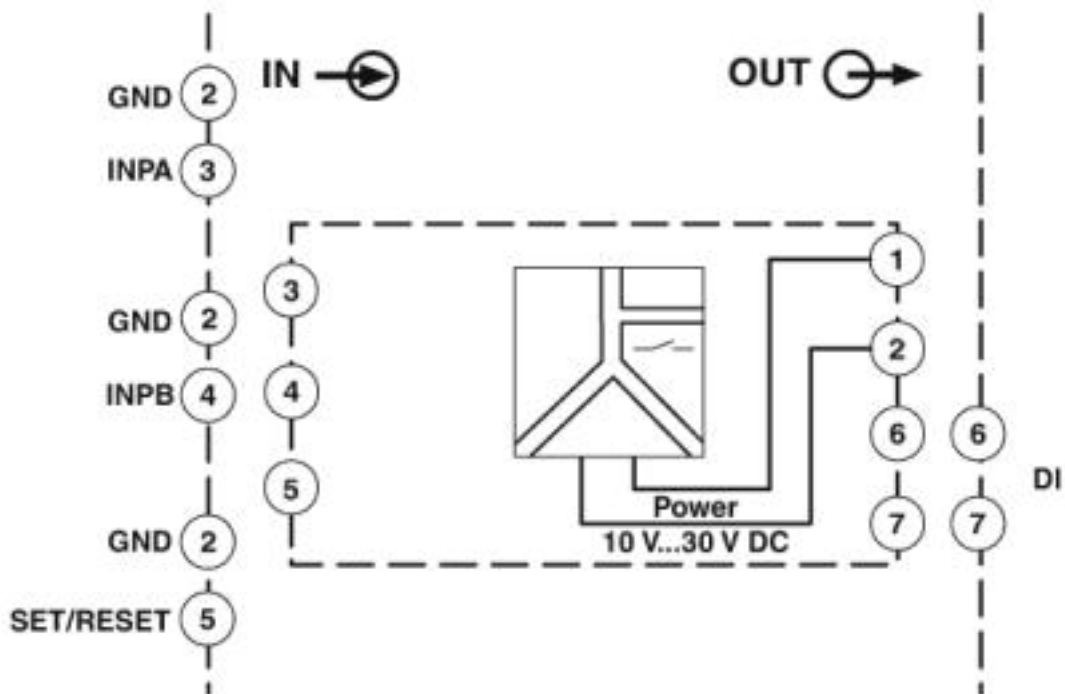
## Digital display - MCR-SL-D-FIT - 2864024

Dimensional drawing



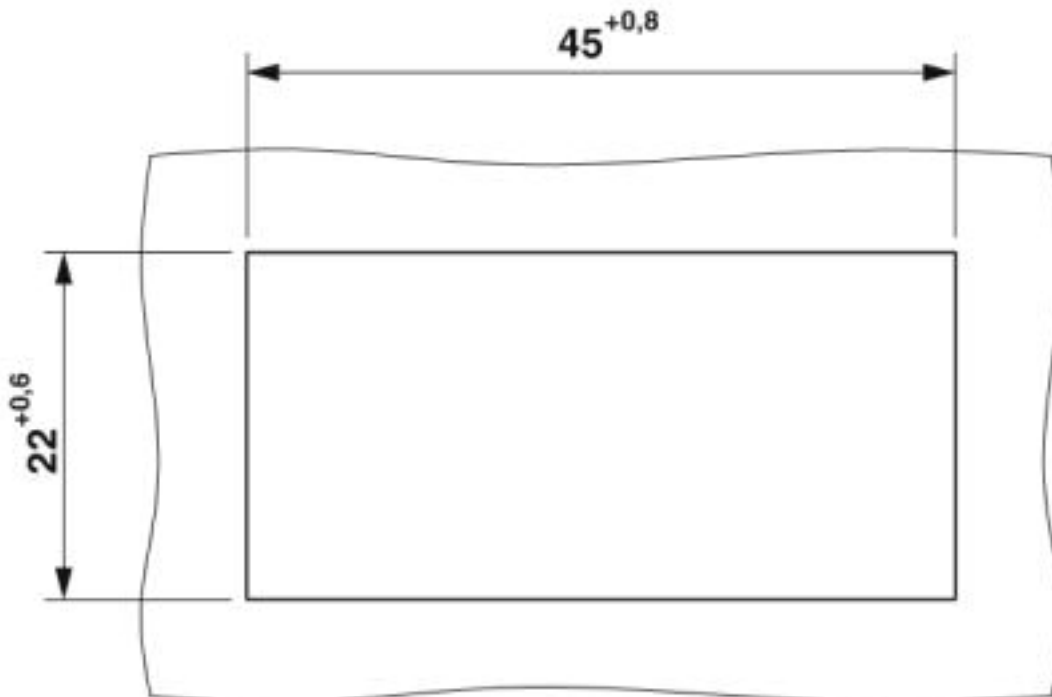
# Digital display - MCR-SL-D-FIT - 2864024

Block diagram



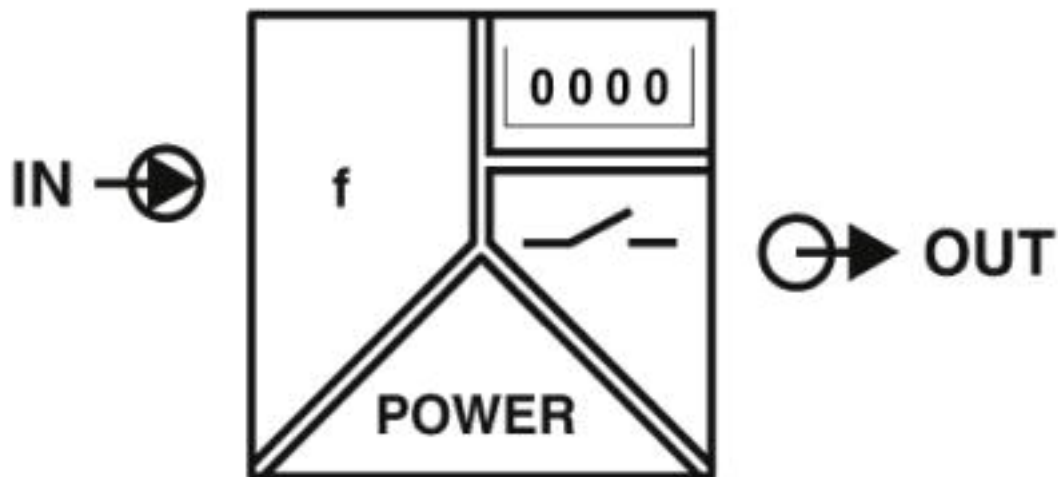
Block diagram MCR-SL-D-FIT

Dimensional drawing

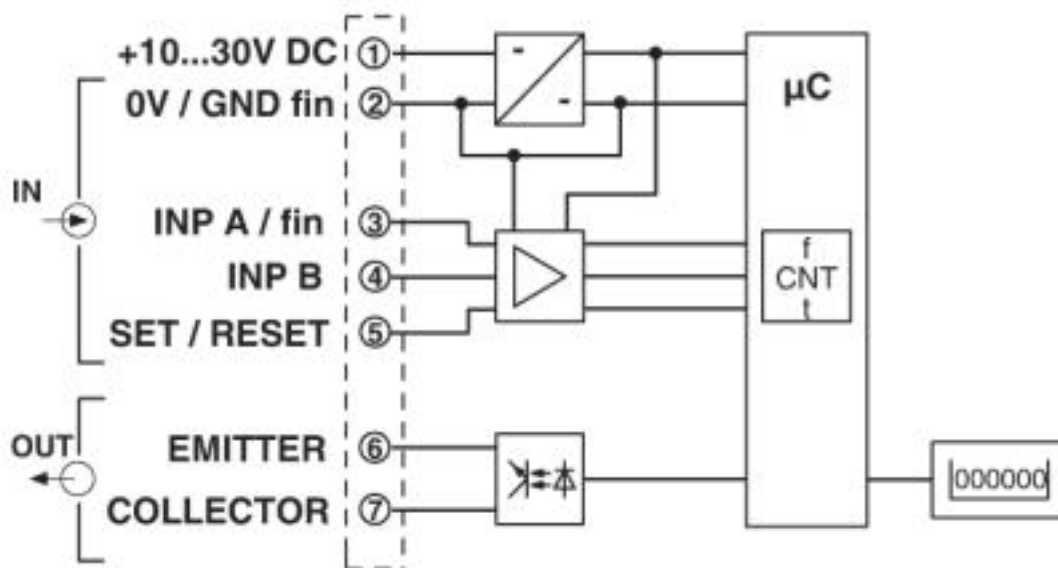


# Digital display - MCR-SL-D-FIT - 2864024

Pictogram



Circuit diagram



## Classifications

eCl@ss

eCl@ss 4.0	27210300
eCl@ss 4.1	27210300
eCl@ss 5.0	27210300
eCl@ss 5.1	27210300
eCl@ss 6.0	27210300
eCl@ss 7.0	27210301
eCl@ss 8.0	27210301
eCl@ss 9.0	27210301

# Digital display - MCR-SL-D-FIT - 2864024

## Classifications

### ETIM

ETIM 2.0	EC001426
ETIM 3.0	EC001426
ETIM 4.0	EC001426
ETIM 5.0	EC001426
ETIM 6.0	EC001426
ETIM 7.0	EC001426

### UNSPSC

UNSPSC 6.01	30211506
UNSPSC 7.0901	39121008
UNSPSC 11	39121008
UNSPSC 12.01	39121008
UNSPSC 13.2	39121008
UNSPSC 18.0	39121008
UNSPSC 19.0	39121008
UNSPSC 20.0	39121008
UNSPSC 21.0	39121008

## Approvals

### Approvals

#### Approvals

UL Recognized / cUL Recognized / EAC / cULus Recognized

#### Ex Approvals

### Approval details

UL Recognized		<a href="http://database.ul.com/cgi-bin/XYV/template/LISEXT/1FRAME/index.htm">http://database.ul.com/cgi-bin/XYV/template/LISEXT/1FRAME/index.htm</a>	FILE E 197577
---------------	--	-------------------------------------------------------------------------------------------------------------------------------------------------------	---------------

cUL Recognized		<a href="http://database.ul.com/cgi-bin/XYV/template/LISEXT/1FRAME/index.htm">http://database.ul.com/cgi-bin/XYV/template/LISEXT/1FRAME/index.htm</a>	FILE E 197577
----------------	--	-------------------------------------------------------------------------------------------------------------------------------------------------------	---------------

EAC		RU*DE.*08.B.01522/19
-----	--	----------------------

## Digital display - MCR-SL-D-FIT - 2864024

### Approvals

cULus Recognized



### Accessories

#### Accessories

#### Mounting rail adapter

DIN rail adapter - MCR-SL-D-RA - 2810081



DIN rail adapter for digital displays in a 24x48 mm housing. Suitable for 35 mm DIN rails in acc. with EN 60715.