

Setpoint adjuster - MCR-SL-D-SPA-UI - 2710314

Please be informed that the data shown in this PDF Document is generated from our Online Catalog. Please find the complete data in the user's documentation. Our General Terms of Use for Downloads are valid (<http://phoenixcontact.com/download>)




Digital setpoint encoders with manual and automatic ramp for defining current and voltage signals, 4-pos. display

Your advantages

- Automatic setpoint definition with hold function and 20 interpolation points
- Manual setpoint definition via direct input
- Flexible, adjustable signal ranges of 0
12 V or 0
24 mA
- Data backup in the event of power failure
- Manual setpoint definition with incremental setting
- Display value parameterization
- Electrical isolation between output and supply

Key Commercial Data

Packing unit	1 pc
GTIN	 4 046356 091190
GTIN	4046356091190
Weight per Piece (excluding packing)	100.000 g
Custom tariff number	90291000
Country of origin	Germany

Technical data

Dimensions

Width	48 mm
Height	24 mm
Depth	68 mm

Ambient conditions

Ambient temperature (operation)	-20 °C ... 65 °C
---------------------------------	------------------

Setpoint adjuster - MCR-SL-D-SPA-UI - 2710314

Technical data

Ambient conditions

Ambient temperature (storage/transport)	-25 °C ... 85 °C
Degree of protection	IP65 (Front)
Noise immunity	EN 61000-6-2

Output data

Voltage output signal	0 V ... 12 V
Current output signal	0 mA ... 24 mA
Load/output load voltage output	≥ 2 kΩ
Load/output load current output	≤ 500 Ω (up to 20 mA)
	≤ 400 Ω (> 20 mA)
Ripple	≤ 10 mV _{PP}

Power supply

Supply voltage range	10 V DC ... 30 V DC
Power consumption	1 W (With 24 mA/12 V)

Connection data

Connection method	Pluggable screw connection
Stripping length	8 mm
Screw thread	M3
Conductor cross section solid	0.14 mm ² ... 1.5 mm ²
Conductor cross section flexible	0.14 mm ² ... 1.5 mm ²
Conductor cross section AWG	26 ... 16

General

Maximum transmission error	< 0.2 % ((full-scale) at rated voltage)
Maximum temperature coefficient	0.02 %/K
Test voltage output/power supply	500 V AC (50 Hz, 1 min.)
Noise emission	EN 55011 / class B
Noise immunity	EN 61000-6-2
Color	gray
Housing material	Macrolon 2405
Conformance	CE-compliant
UL, USA/Canada	UL 863

Standards and Regulations

Noise emission	EN 55011 / class B
Noise immunity	EN 61000-6-2
	EN 61000-4-2
Connection in acc. with standard	CUL
Conformance	CE-compliant
UL, USA/Canada	UL 863

Environmental Product Compliance

Setpoint adjuster - MCR-SL-D-SPA-UI - 2710314

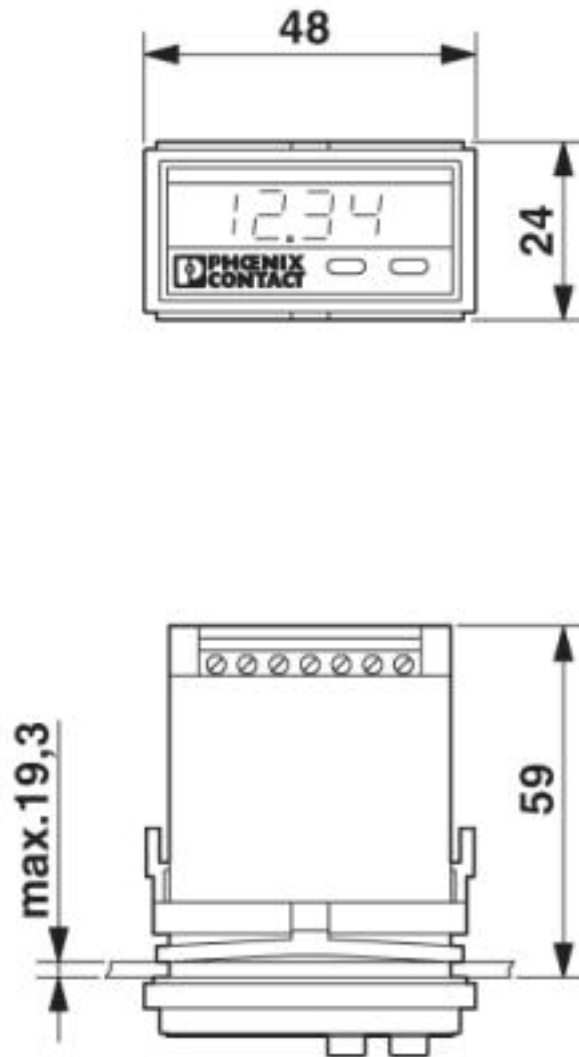
Technical data

Environmental Product Compliance

China RoHS	Environmentally friendly use period: unlimited = EFUP-e
	No hazardous substances above threshold values

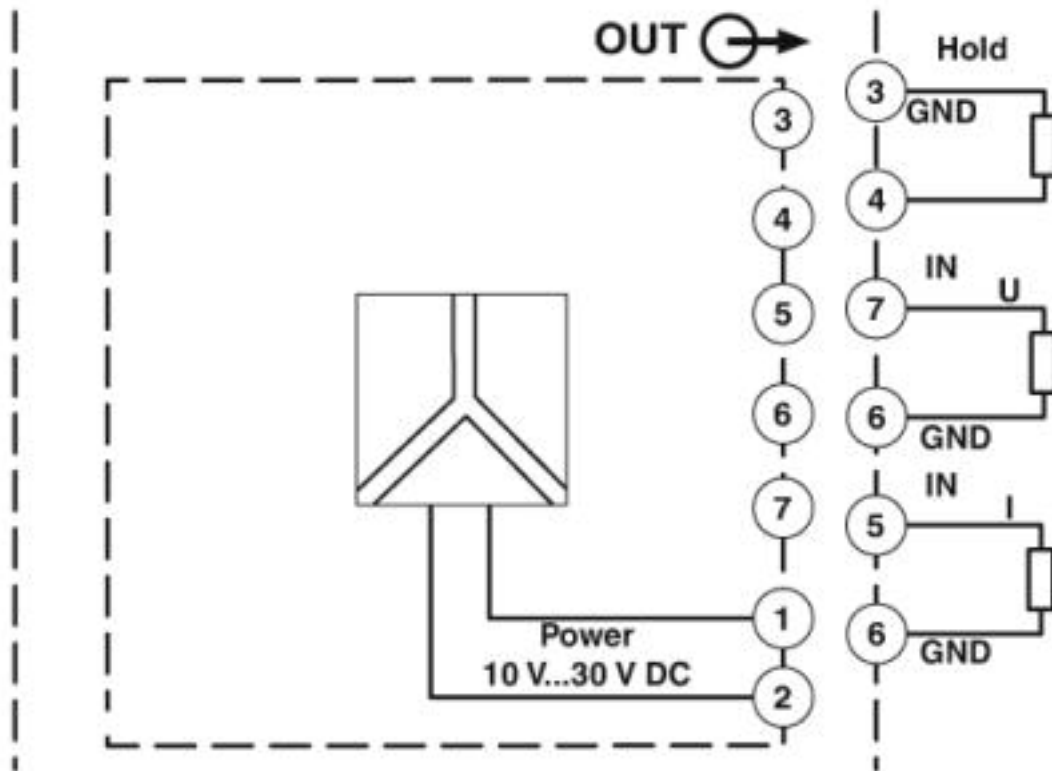
Drawings

Dimensional drawing



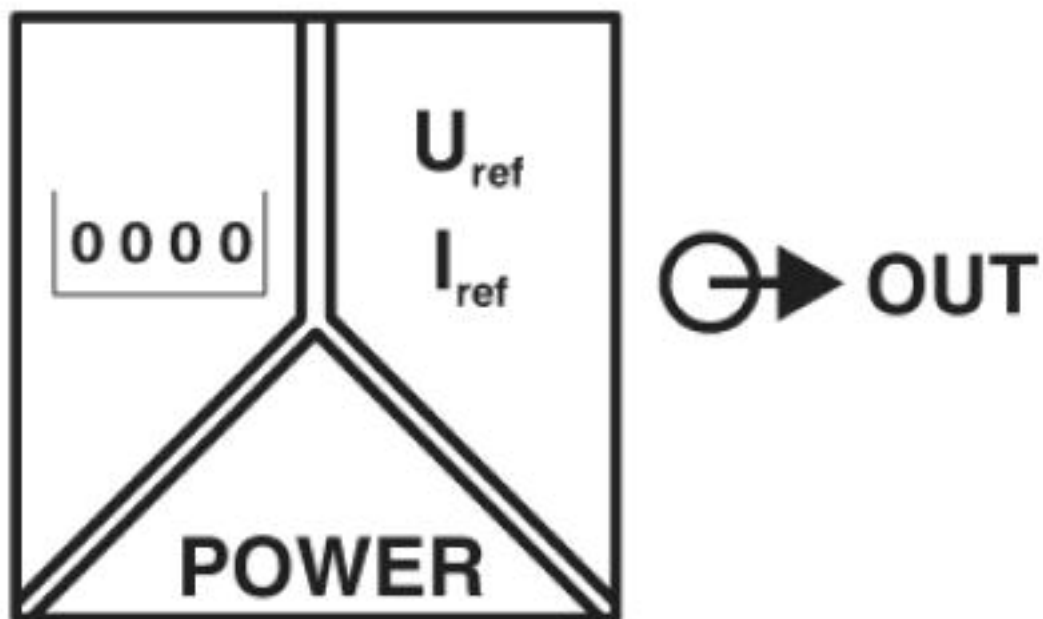
Setpoint adjuster - MCR-SL-D-SPA-UI - 2710314

Block diagram



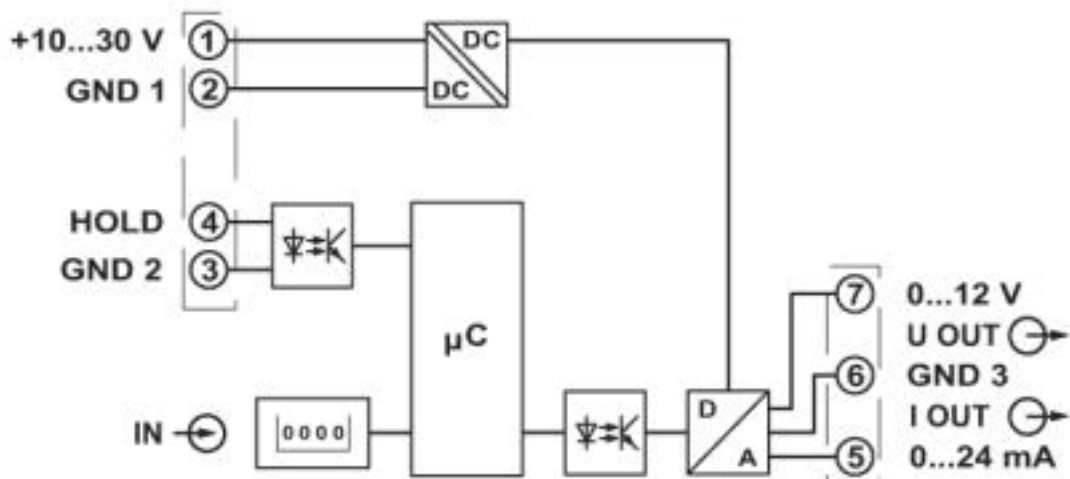
Block diagram MCR-SL-D-SPA-UI

Pictogram



Setpoint adjuster - MCR-SL-D-SPA-UI - 2710314

Circuit diagram



Classifications

eCl@ss

eCl@ss 4.0	27210300
eCl@ss 4.1	27210300
eCl@ss 5.0	27210300
eCl@ss 5.1	27210300
eCl@ss 6.0	27210300
eCl@ss 7.0	27210301
eCl@ss 8.0	27210301
eCl@ss 9.0	27210301

ETIM

ETIM 2.0	EC001440
ETIM 3.0	EC001440
ETIM 4.0	EC001440
ETIM 5.0	EC001426
ETIM 6.0	EC001027
ETIM 7.0	EC001027

UNSPSC

UNSPSC 6.01	30211506
UNSPSC 7.0901	39121008
UNSPSC 11	39121008
UNSPSC 12.01	39121008
UNSPSC 13.2	39121008
UNSPSC 18.0	41113633
UNSPSC 19.0	41113633
UNSPSC 20.0	41113633

Setpoint adjuster - MCR-SL-D-SPA-UI - 2710314

Classifications

UNSPSC

UNSPSC 21.0	41113633
-------------	----------

Approvals

Approvals

Approvals

UL Recognized / cUL Recognized / EAC / cULus Recognized

Ex Approvals

Approval details

UL Recognized		http://database.ul.com/cgi-bin/XYV/template/LISEXT/1FRAME/index.htm	FILE E 197577
---------------	--	---	---------------

cUL Recognized		http://database.ul.com/cgi-bin/XYV/template/LISEXT/1FRAME/index.htm	FILE E 197577
----------------	--	---	---------------

EAC			RU*DE.*08.B.01522/19
-----	--	--	----------------------

cULus Recognized			
------------------	--	--	--

Accessories

Accessories

Mounting rail adapter

DIN rail adapter - MCR-SL-D-RA - 2810081



DIN rail adapter for digital displays in a 24x48 mm housing. Suitable for 35 mm DIN rails in acc. with EN 60715.

