

## Timer relay - ETD-BL-1T-230 - 2905813

Please be informed that the data shown in this PDF Document is generated from our Online Catalog. Please find the complete data in the user's documentation. Our General Terms of Use for Downloads are valid (<http://phoenixcontact.com/download>)



Compact multi-functional timer relay with 4 functions and an adjustable time range (50 ms - 1 h), with screw connection, 1 PDT

### Product Description

Increasingly higher demands are being placed on safety and system availability – across all sectors. Processes are becoming more and more complex, not only in mechanical engineering and the chemical industry, but also in plant and automation technology. Demands on power engineering are also increasing constantly.

The timer relays in the ETD series can be used to control time sequences in production and process technology.



### Key Commercial Data

Packing unit	1 pc
GTIN	
GTIN	4055626003351
Weight per Piece (excluding packing)	80.000 g
Custom tariff number	85364900
Country of origin	Austria

### Technical data

#### Dimensions

Width	17.5 mm
Height	88 mm
Depth	65.5 mm

#### Ambient conditions

Ambient temperature (operation)	-25 °C ... 55 °C
Ambient temperature (storage/transport)	-25 °C ... 70 °C
Permissible humidity (operation)	15 % ... 85 %
Degree of protection	IP40 (Housing)
	IP20 (Connection terminal blocks)
Noise immunity	EN 61000-6-2

# Timer relay - ETD-BL-1T-230 - 2905813

## Technical data

### Coil side

Input voltage range	24 V AC/DC ... 240 V AC/DC -15 % ... +10 %
Temperature sensitivity	≤ 0.01 %/K
Function	E: With switch-on delay
	Rs: With release delay and control contact
	Es: With switch-on delay and control contact
	Ws: With single shot leading edge and control contact
Setting range time	50 ms ... 1 h (5 time end ranges)
Recovery time	100 ms

### Contact side

Contact type	1 floating PDT
Maximum switching voltage	250 V AC (in acc. with IEC 60664-1)
Interrupting rating (ohmic load) max.	1250 VA (5 A / 250 V AC)
Output fuse	5 A (fast-blow)

### General

Status display	Green LED (POWER)
	Yellow LED (relay active)
Mechanical service life	15x 10 <sup>6</sup> cycles
Nominal power consumption	4 VA
Test voltage relay winding/relay contact	4 kV
Mounting position	any
Assembly instructions	on standard DIN rail NS 35 in accordance with EN 60715
Color	gray
Permissible humidity (operation)	15 % ... 85 %
Nominal frequency	48 Hz ... 63 Hz

### Connection data

Connection method	Screw connection
Stripping length	8 mm
Conductor cross section solid	0.5 mm <sup>2</sup> ... 2.5 mm <sup>2</sup>
Conductor cross section flexible	0.5 mm <sup>2</sup> ... 2.5 mm <sup>2</sup>
Conductor cross section AWG	20 ... 14
Torque	1 Nm ... 1 Nm

### Control contact

Connection name	Non-floating, terminals A1-B1
Control pulse length	≥ 50 ms (DC)
	≥ 100 ms (AC)

### Standards and Regulations

Electromagnetic compatibility	Conformance with EMC Directive 2014/30/EU
Noise emission	EN 61000-6-3

# Timer relay - ETD-BL-1T-230 - 2905813

## Technical data

### Standards and Regulations

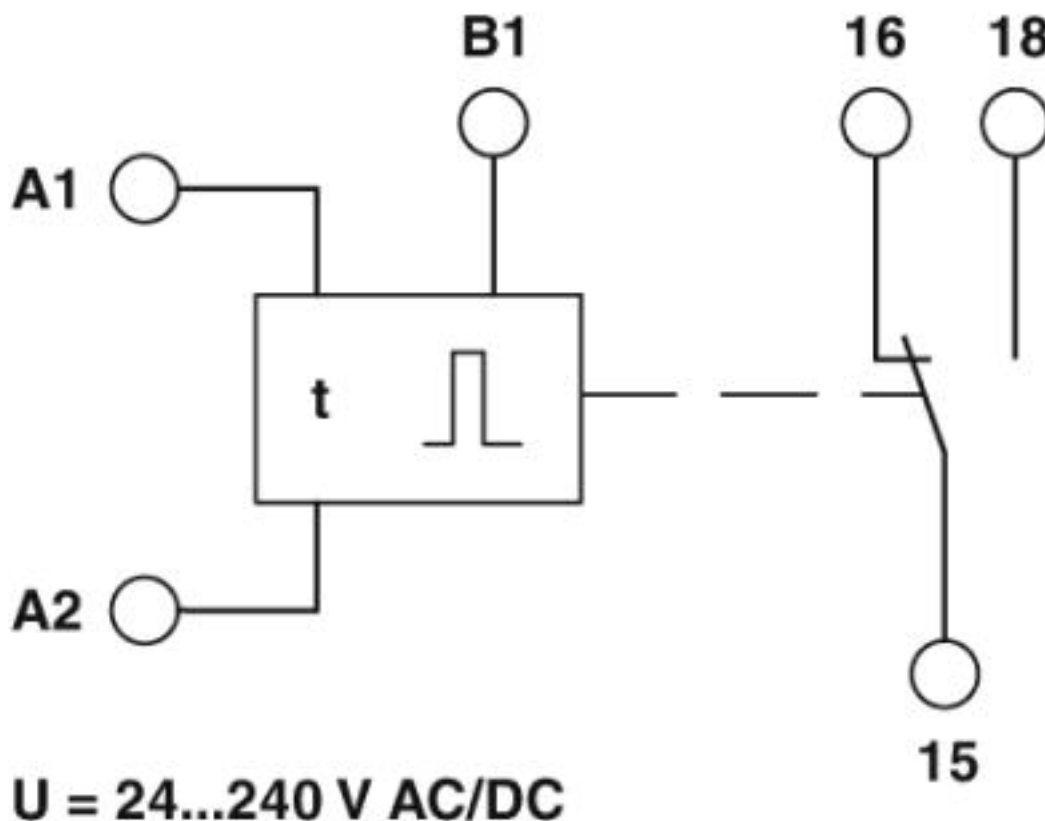
Noise immunity	EN 61000-6-2
Standards/regulations	EN 50178
Insulation	Basic insulation
Pollution degree	2
Overvoltage category	III
Low Voltage Directive	Conformance with Low Voltage Directive 2006/95/EC (valid until 2016-04-19) / 2014/35/EU (valid from 2016-04-20)

### Environmental Product Compliance

China RoHS	Environmentally friendly use period: unlimited = EFUP-e
	No hazardous substances above threshold values

## Drawings

Block diagram



## Classifications

eCl@ss

eCl@ss 5.0	27371700
------------	----------

# Timer relay - ETD-BL-1T-230 - 2905813

## Classifications

### eCl@ss

eCl@ss 5.1	27371700
eCl@ss 6.0	27371700
eCl@ss 7.0	27371790
eCl@ss 8.0	27371605
eCl@ss 9.0	27371605

### ETIM

ETIM 2.0	EC001439
ETIM 3.0	EC001439
ETIM 4.0	EC001439
ETIM 5.0	EC001439
ETIM 6.0	EC001439
ETIM 7.0	EC001439

### UNSPSC

UNSPSC 13.2	39122329
UNSPSC 18.0	39122329
UNSPSC 19.0	39122329
UNSPSC 20.0	39122329
UNSPSC 21.0	39122329

## Approvals


### Approvals


#### Approvals

UL Listed / cUL Listed / EAC / cULus Listed

#### Ex Approvals

### Approval details

UL Listed		<a href="http://database.ul.com/cgi-bin/XYV/template/LISEXT/1FRAME/index.htm">http://database.ul.com/cgi-bin/XYV/template/LISEXT/1FRAME/index.htm</a>	FILE E 172140
-----------	---	---	---------------

cUL Listed		<a href="http://database.ul.com/cgi-bin/XYV/template/LISEXT/1FRAME/index.htm">http://database.ul.com/cgi-bin/XYV/template/LISEXT/1FRAME/index.htm</a>	FILE E 172140
------------	---	---	---------------

## Timer relay - ETD-BL-1T-230 - 2905813

### Approvals

EAC		RU C- DE. **08.B-00957
-----	---	---------------------------

cULus Listed		
--------------	---	--