

## Accessories - ICC-MT 1,5-2,5 BA - 3190593

Please be informed that the data shown in this PDF Document is generated from our Online Catalog. Please find the complete data in the user's documentation. Our General Terms of Use for Downloads are valid (<http://phoenixcontact.com/download>)




Module male contact, is inserted into the ICC connector shell after the conductor has been crimped, for conductors from 1.5-2.5 mm<sup>2</sup>, ribbon contact

Supplied in tape form - please note the drawing.



### Key Commercial Data

Packing unit	4000 pc
Minimum order quantity	4000 pc
GTIN	 4 017918 100599
GTIN	4017918100599
Weight per Piece (excluding packing)	0.990 g
Custom tariff number	85389099
Country of origin	Germany

### Technical data

#### General

Nominal current	12 A
Conductor cross section flexible min.	1.5 mm <sup>2</sup>
Max. conductor cross section, flexible	2.5 mm <sup>2</sup>

#### Connection data

Core diameter including insulation	2.11 mm ... 3.1 mm
Stripping length of individual wires	4 mm

#### Standards and Regulations

Connection in acc. with standard	EN-VDE
----------------------------------	--------

#### Environmental Product Compliance

China RoHS	Environmentally friendly use period: unlimited = EFUP-e
------------	---

# Accessories - ICC-MT 1,5-2,5 BA - 3190593

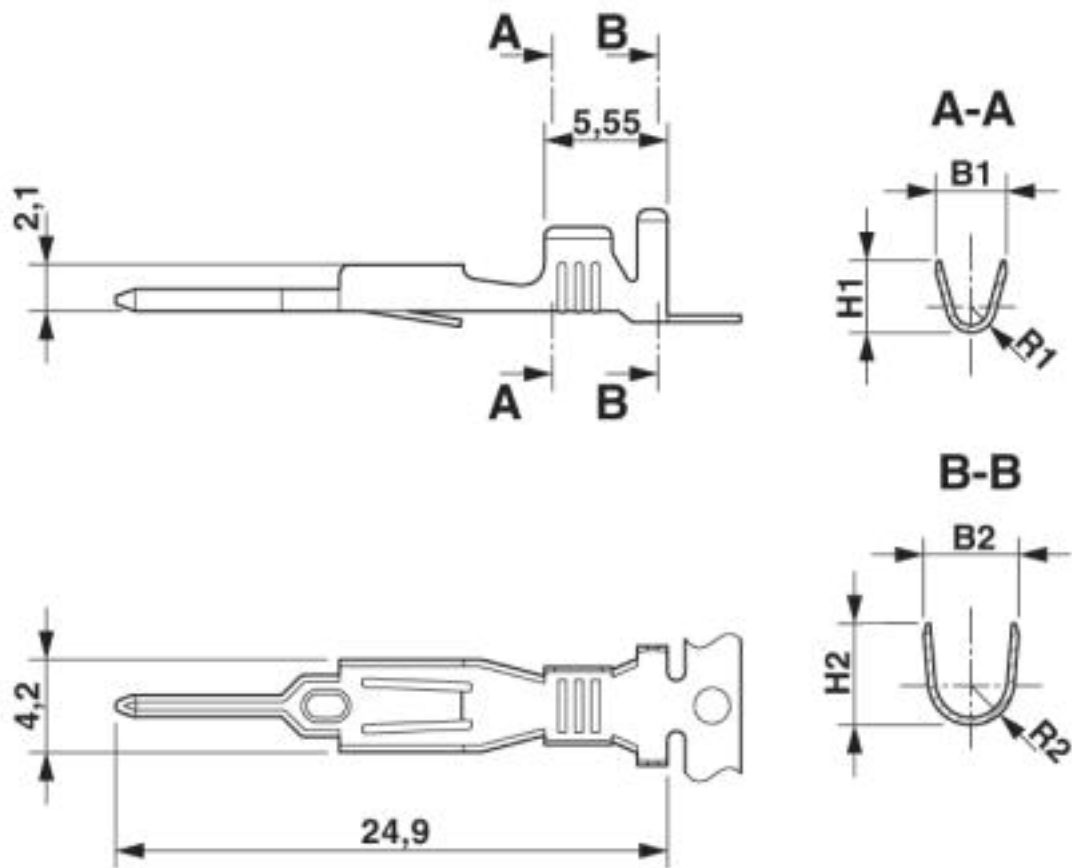
## Technical data

### Environmental Product Compliance

	No hazardous substances above threshold values
--	--

## Drawings

Dimensional drawing



## Classifications

eCl@ss

eCl@ss 4.0	27260700
eCl@ss 4.1	27260700
eCl@ss 5.0	27260700
eCl@ss 5.1	27260700
eCl@ss 6.0	27260700
eCl@ss 7.0	27440309
eCl@ss 8.0	27440204
eCl@ss 9.0	27440204

## Accessories - ICC-MT 1,5-2,5 BA - 3190593

### Classifications

#### ETIM

ETIM 3.0	EC001121
ETIM 4.0	EC001121
ETIM 5.0	EC000796
ETIM 6.0	EC000796
ETIM 7.0	EC000796

#### UNSPSC

UNSPSC 6.01	30211810
UNSPSC 7.0901	39121410
UNSPSC 11	39121409
UNSPSC 12.01	39121409
UNSPSC 13.2	39121409
UNSPSC 18.0	39121522
UNSPSC 19.0	39121522
UNSPSC 20.0	39121522
UNSPSC 21.0	39121522

### Approvals

#### Approvals

---

Approvals

EAC

---

Ex Approvals

---

#### Approval details

EAC		B.01742
-----	---	---------

---