

Housing - HC-EVO-B16-HLWD-PLBK - 1420933

Please be informed that the data shown in this PDF Document is generated from our Online Catalog. Please find the complete data in the user's documentation. Our General Terms of Use for Downloads are valid (<http://phoenixcontact.com/download>)



Sleeve housing B16, with double locking latch, material: PA, cable outlets: 1, straight/lateral, height: 63 mm, cable gland: none, support sleeve: no, Standard

Your advantages

- ✓ Flexible cable outlet direction, lateral or straight
- ✓ Lower costs than metal version
- ✓ Labeling option using 9 x 20 mm marking label
- ✓ Low weight
- ✓ Lower risk of condensation
- ✓ Both contact insert PE sheets are connected by means of a metal frame integrated in the sleeve housing
- ✓ Metal inlays ensure leading PE contact with angled plugs
- ✓ Completely corrosion-resistant
- ✓ Halogen-free plastic
- ✓ Marking label can be attached



Key Commercial Data

Packing unit	1 pc
GTIN	 4 055626 249322
GTIN	4055626249322
Weight per Piece (excluding packing)	111.210 g
Custom tariff number	85389099
Country of origin	Poland

Technical data

Dimensions

Height	63 mm
Width	43.8 mm
Length	93.5 mm

Housing - HC-EVO-B16-HLWD-PLBK - 1420933

Technical data

Ambient conditions

Degree of protection (IP)	IP66
Degree of protection (NEMA)	12 (UL 50e)
Ambient temperature (operation)	-40 °C ... 125 °C

General

Note	For contact inserts HC-B16, BB32, D40, DD72, HS6, HV6, M, K
Size	B16
Housing type	Sleeve housing
Color	black
Locking type	with double locking latch
No. of cable outlets	1
Cable outlet	straight
	lateral
Screw connection	none
Housing material	PA
Material lock	PA
Flammability rating according to UL 94	V0
Connection	The sleeve base housing must be supplemented with the EVO screw connection. The EVO screw connection is available in four sizes. It facilitates the creation of a straight or a side cable outlet. The EVO screw connection is mounted with the aid of, for example, a pipe wrench

Standards and Regulations

Flammability rating according to UL 94	V0
--	----

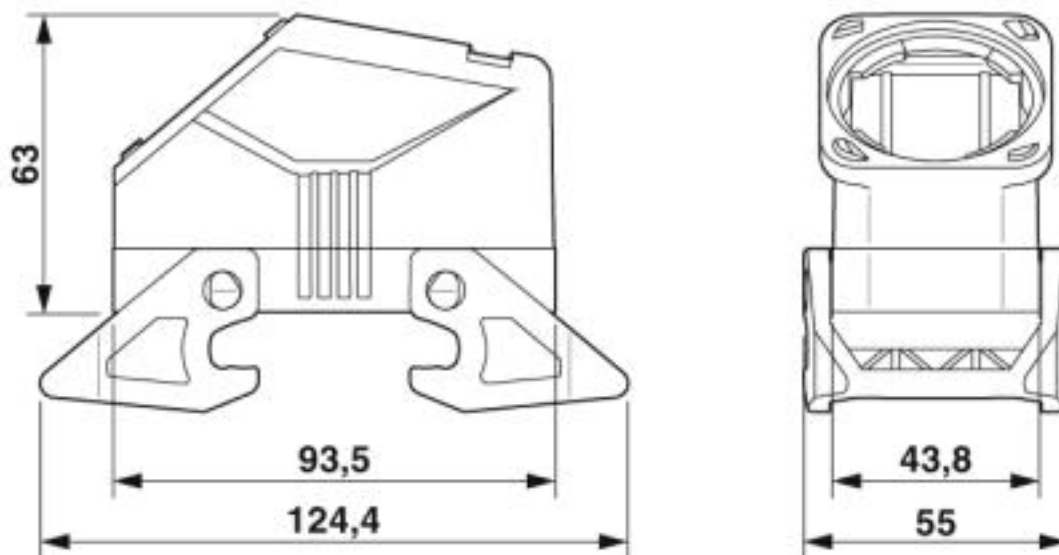
Environmental Product Compliance

China RoHS	Environmentally friendly use period: unlimited = EFUP-e
	No hazardous substances above threshold values

Drawings

Housing - HC-EVO-B16-HLWD-PLBK - 1420933

Dimensional drawing



Dimensional drawing

Classifications

eCl@ss

eCl@ss 10.0.1	27440202
eCl@ss 5.1	27261200
eCl@ss 6.0	27261200
eCl@ss 7.0	27440202
eCl@ss 8.0	27440202
eCl@ss 9.0	27440202

ETIM

ETIM 5.0	EC000437
ETIM 6.0	EC000437
ETIM 7.0	EC000437

UNSPSC

UNSPSC 13.2	31261501
UNSPSC 18.0	31261501
UNSPSC 19.0	31261501
UNSPSC 20.0	31261501
UNSPSC 21.0	31261501

Approvals

Approvals

Housing - HC-EVO-B16-HLWD-PLBK - 1420933

Approvals

Approvals

EAC / DNV GL

Ex Approvals

Approval details

EAC		RU C- DE.AI30.B.01102
-----	--	--------------------------

DNV GL		https://approvalfinder.dnvgl.com/	TAE000037S
--------	--	---	------------

Accessories

Accessories

Cable gland with bayonet locking

Cable gland - HC-B-G-M20-PLRBK - 1407669



EVO plastic cable gland with bayonet locking, for housing series B, size M20, cable diameter: 7 ... 13 mm

Cable gland - HC-B-G-M25-PLRBK - 1407670



EVO plastic cable gland with bayonet locking, for housing series B, size M25, cable diameter: 9 ... 17 mm

Cable gland - HC-B-G-M32-PLRBK - 1407671



EVO plastic cable gland with bayonet locking, for housing series B, size M32, cable diameter: 11 ... 21 mm

Housing - HC-EVO-B16-HLWD-PLBK - 1420933

Accessories

Cable gland - HC-B-G-M40-PLRBK - 1407672



EVO plastic cable gland with bayonet locking, for housing series B, size M40, cable diameter: 19 ... 28 mm

Corrugated pipe screw connection

Corrugated tube screw connection - HC-B-GCA-M20-PLRBK - 1412021



EVO corrugated pipe screw connection, size: M20, protection class: IP66, plastic

Corrugated tube screw connection - HC-B-GCA-M25-PLRBK - 1411973



EVO corrugated pipe screw connection, size: M25, protection class: IP66, plastic

Corrugated tube screw connection - HC-B-GCA-M32-PLRBK - 1412022



EVO corrugated pipe screw connection, size: M32, protection class: IP66, plastic

Corrugated tube screw connection - HC-B-GCA-M40-PLRBK - 1412023



EVO corrugated pipe screw connection, size: M40, protection class: IP66, plastic

Device marking

Housing - HC-EVO-B16-HLWD-PLBK - 1420933

Accessories

Snap-in markers - US-EMP (20X9) - 0829439



Snap-in markers, Card, white, unlabeled, can be labeled with: BLUEMARK ID COLOR, BLUEMARK ID, THERMOMARK PRIME, THERMOMARK CARD 2.0, THERMOMARK CARD, mounting type: snapped into marker carrier, lettering field size: 20 x 9 mm, Number of individual labels: 70

Housing latches

Double locking latch - HC-B10-24-DL-PLBK - 1407696



Replacement double locking latch for HEAVYCON EVO housing, HC-B10/HC-B16/HC-B24, PA

Protective cover

Protective covers - HC-B16-HCLFD-PR-BK - 1414632



Protective cover B16, for double locking latch, protective cover material: PA, height: 21.6 mm, seal: yes, diameter of retaining cord eyelet: 30 mm