

Foot element - UM108-FE - 2959463

Please be informed that the data shown in this PDF Document is generated from our Online Catalog. Please find the complete data in the user's documentation. Our General Terms of Use for Downloads are valid (<http://phoenixcontact.com/download>)


Foot element, 107.5 mm wide, for mounting on NS 32 or NS 35/7.5, below profile housing UM 108.



Your advantages

- ✓ Lateral elements with potential ground contact available from the PCB to the DIN rail (EMC)
- ✓ Fast assembly on standard NS 35 or NS 32 DIN rails
- ✓ Flexible size and shape
- ✓ Inexpensive as a result of reducing the number of separate housing parts
- ✓ Wide range of options for external conductor connection
- ✓ High degree of mechanical stability by screwing the lateral elements to the profile
- ✓ The modules can be marked with Phoenix Contact marking material using the marking grooves in the press-drawn section

Key Commercial Data

Packing unit	10 pc
Minimum order quantity	10 pc
GTIN	 4 017918 086121
GTIN	4017918086121
Weight per Piece (excluding packing)	8.080 g
Custom tariff number	39269097
Country of origin	Poland

Technical data

Product properties

Brief article description	Foot element
Type	UM108-FE
Order No.	2959463
Housing type	Press-drawn section housings

Dimensions

Foot element - UM108-FE - 2959463

Technical data

Dimensions

Profile PCB width (selectable):	108 mm [UM108]
---------------------------------	----------------

Material specifications

Housing material	Polyamide
Color (RAL)	green
Flammability rating according to UL 94	V0

Packaging specifications

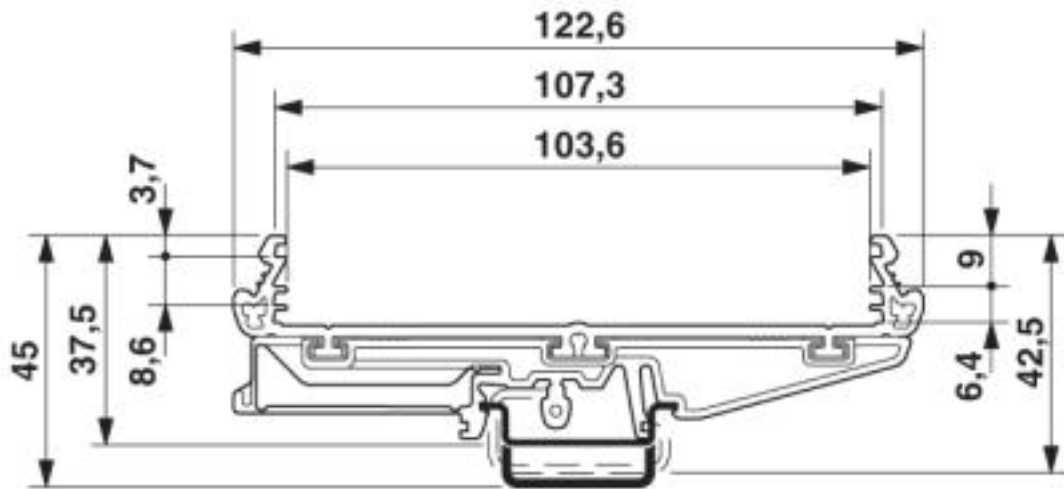
Pieces per package	10
Denomination packing units	Pcs.

Environmental Product Compliance

China RoHS	Environmentally friendly use period: unlimited = EFUP-e
	No hazardous substances above threshold values

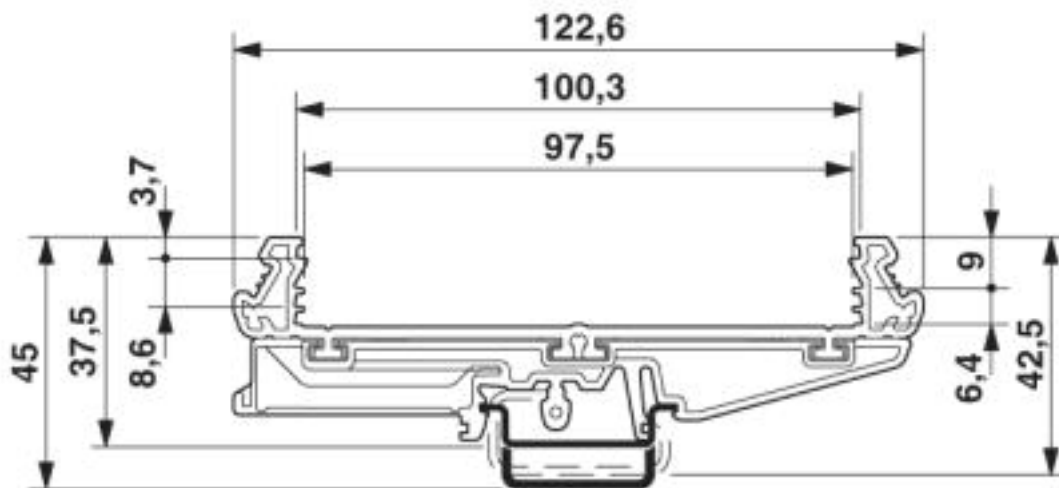
Drawings

Dimensional drawing



Foot element - UM108-FE - 2959463

Dimensional drawing



Classifications

eCl@ss

eCl@ss 4.0	27180400
eCl@ss 4.1	27180400
eCl@ss 5.0	27180500
eCl@ss 5.1	27180500
eCl@ss 6.0	27180800
eCl@ss 7.0	27182701
eCl@ss 8.0	27182701
eCl@ss 9.0	27182701

ETIM

ETIM 2.0	EC001031
ETIM 3.0	EC001031
ETIM 4.0	EC001031
ETIM 5.0	EC002779
ETIM 6.0	EC002779
ETIM 7.0	EC002779

UNSPSC

UNSPSC 6.01	31261501
UNSPSC 7.0901	31261501
UNSPSC 11	31261501
UNSPSC 12.01	31261501
UNSPSC 13.2	31261501
UNSPSC 18.0	31261501
UNSPSC 19.0	31261501
UNSPSC 20.0	31261501

Foot element - UM108-FE - 2959463

Classifications

UNSPSC

UNSPSC 21.0	31261501
-------------	----------

Approvals


Approvals


Approvals

UL Recognized / EAC

Ex Approvals

Approval details

UL Recognized		http://database.ul.com/cgi-bin/XYV/template/LISEXT/1FRAME/index.htm	FILE E 240868
---------------	---	---	---------------

EAC			B.01742
-----	---	--	---------