

Flush-type connector - VS-M12FSBP-OE-936-4,0 - 1446540


Please be informed that the data shown in this PDF Document is generated from our Online Catalog. Please find the complete data in the user's documentation. Our General Terms of Use for Downloads are valid (<http://phoenixcontact.com/download>)



Assembled PROFINET cable, CAT5e, shielded, star-quad, 22 AWG (7-wire), black, M12 flush-type socket, rear/screw mounting with M16 thread to free cable end, length: 4 m



Key Commercial Data

Packing unit	1 pc
Minimum order quantity	50 pc
GTIN	 4 046356 647434
GTIN	4046356647434
Weight per Piece (excluding packing)	327.200 g
Custom tariff number	85366990
Country of origin	Germany
Note	Made to Order (non-returnable)

Technical data

Dimensions

Fixed cable length	4
--------------------	---

Ambient conditions

Ambient temperature (operation)	-25 ... -85
---------------------------------	-------------

General

Standards/regulations	according to IEC 61076-2-101
Insertion/withdrawal cycles	≥ 100
Overvoltage category	II
Mounting type	Rear wall/screw mounting
Coding	D-coded
Thread type	M16 x 1.5
Cable cross section	0.34 mm ²
AWG signal line	22

Flush-type connector - VS-M12FSBP-OE-936-4,0 - 1446540

Technical data

General

Rated surge voltage	2.5 kV AC
Degree of pollution	3
Degree of protection	IP67
Number of positions	4
Current	4 A
Voltage	250 V

Material

Contact material	CuZn
Contact surface material	Ni/Au
Flammability rating according to UL 94	V0

Connection data

Connection method	Cable
Contact resistance with connected conductor	≤ 3 mΩ
Cable type	PROFINET

Conductor

Outer sheath, material	PE-X
External sheath, color	black RAL 9005
Smallest bending radius, fixed installation	> 43.5 mm

Standards and Regulations

Standards/specifications	according to IEC 61076-2-101
Flammability rating according to UL 94	V0
Safety note	WARNING: The connectors may not be plugged in or disconnected under load. Ignoring the warning or improper use may damage persons and/or property.
	<ul style="list-style-type: none"> • WARNING: Commission properly functioning products only. The products must be regularly inspected for damage. Decommission defective products immediately. Replace damaged products. Repairs are not possible.
	<ul style="list-style-type: none"> • WARNING: Only electrically qualified personnel may install and operate the product. They must observe the following safety notes. The qualified personnel must be familiar with the basics of electrical engineering. They must be able to recognize and prevent danger. The relevant symbol on the packaging indicates that only personnel familiar with electrical engineering are allowed to install and operate the product.
	<ul style="list-style-type: none"> • The products are suitable for applications in plant, controller, and electrical device engineering.
	<ul style="list-style-type: none"> • When operating the connectors in outdoor applications, they must be separately protected against environmental influences.
	<ul style="list-style-type: none"> • Assembled products may not be manipulated or improperly opened.
	<ul style="list-style-type: none"> • Only use mating connectors that are specified in the technical data of the standards listed (e.g. the ones listed in the product accessories online at phoenixcontact.com/products).
	<ul style="list-style-type: none"> • When using the product in direct connection with third-party manufacturers, the user is responsible.

Flush-type connector - VS-M12FSBP-OE-936-4,0 - 1446540

Technical data

Standards and Regulations

	<ul style="list-style-type: none"> For operating voltages > 50 V AC, conductive connector housings must be grounded
	<ul style="list-style-type: none"> Ensure that when laying the cable, the tensile load on the connectors does not exceed the upper limit specified in the standards.
	<ul style="list-style-type: none"> Observe the corresponding technical data. You will find information: <ul style="list-style-type: none"> On the product On the packing label In the supplied documentation Online at phoenixcontact.com/products under the product
	<ul style="list-style-type: none"> Only use tools recommended by Phoenix Contact
	<ul style="list-style-type: none"> Use a protective cap to protect connectors that are not in use. The suitable accessories are available online in the accessory section of the product at phoenixcontact.com/products
	<ul style="list-style-type: none"> Ensure that the protective or functional ground has been properly connected.
	<ul style="list-style-type: none"> VDE 0100/1.97 § 411.1.3.2 and DIN EN 60 204/11.98 § 14.1.3 are applicable when combining several circuits in a cable and/or connector
	<ul style="list-style-type: none"> The connector warms up in normal operation. Depending on the ambient conditions, the surface of the connector can continue to warm up. In this case, the user is responsible for posting warnings (e.g. DIN EN ISO 13732-1:2008-12).

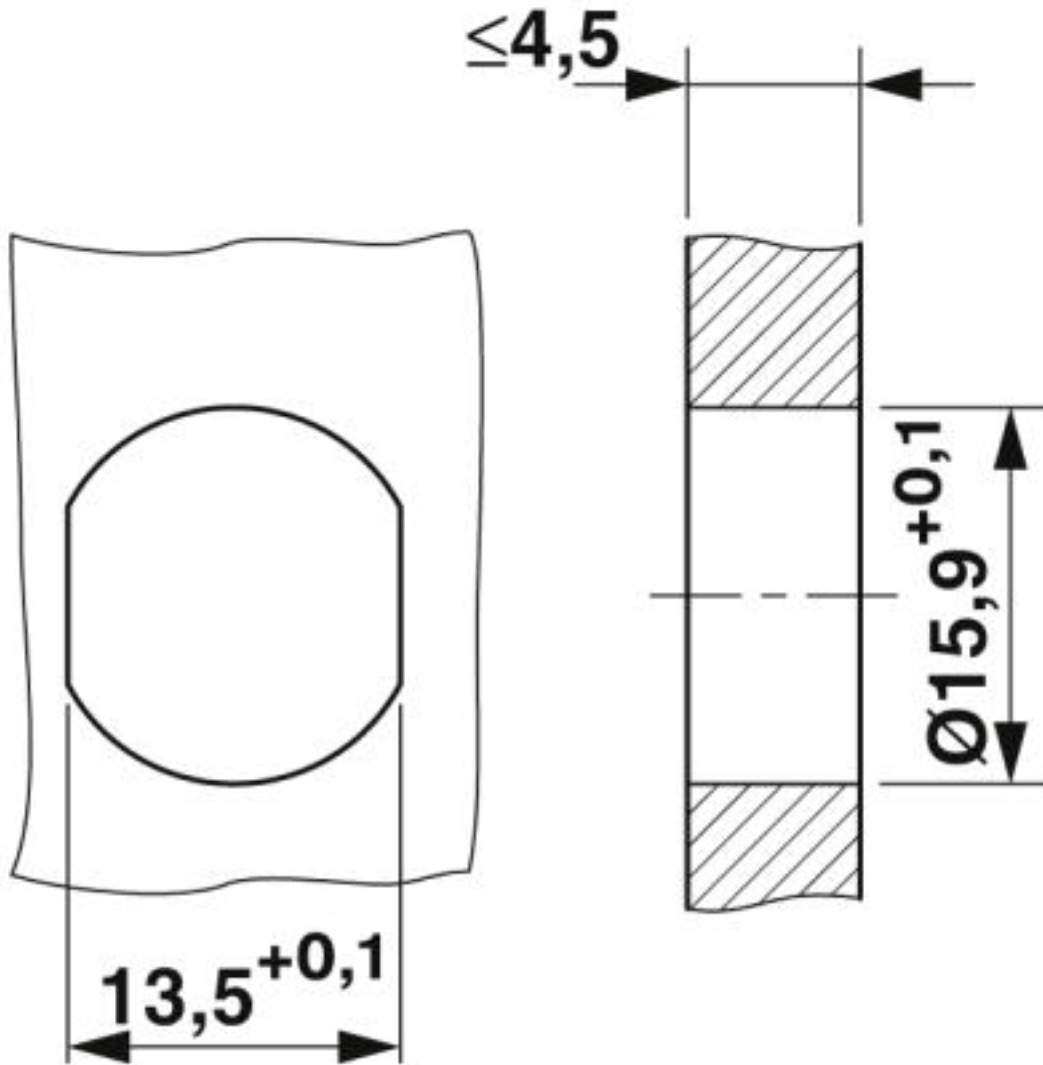
Environmental Product Compliance

REACH SVHC	Lead 7439-92-1
China RoHS	Environmentally Friendly Use Period = 50
	For details about hazardous substances go to tab "Downloads", Category "Manufacturer's declaration"

Drawings

Flush-type connector - VS-M12FSBP-OE-936-4,0 - 1446540

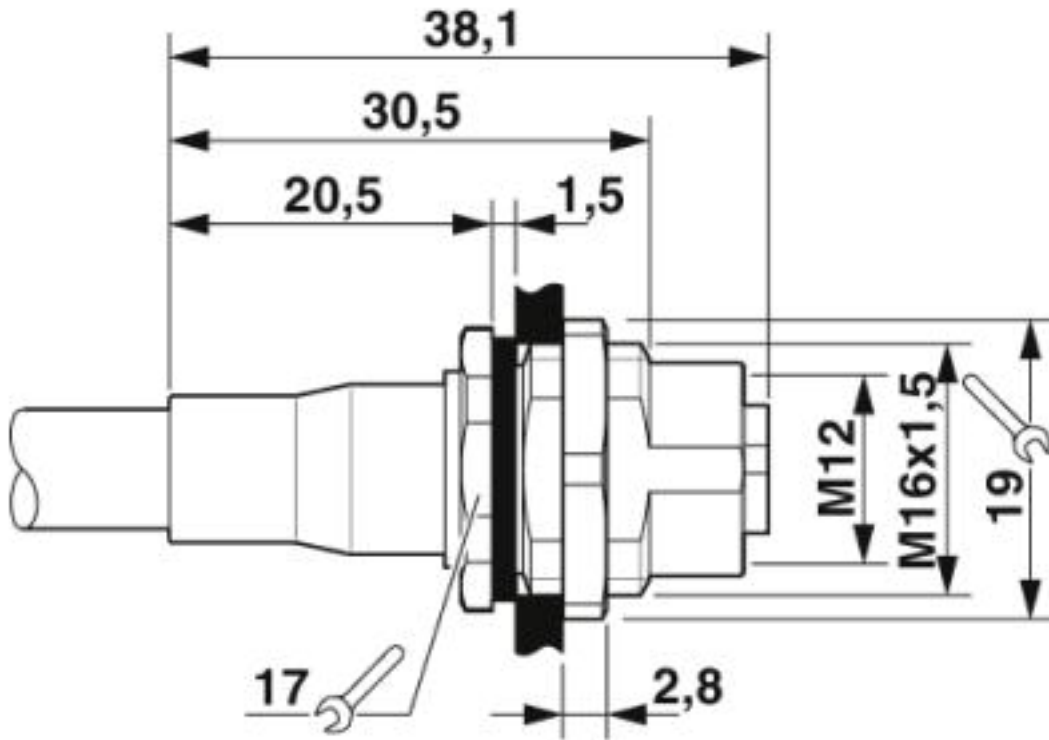
Dimensional drawing



Housing cutout for M16 fastening thread, mounting panel with feed-through hole (alternatively with surface as protection against rotation)

Flush-type connector - VS-M12FSBP-OE-936-4,0 - 1446540

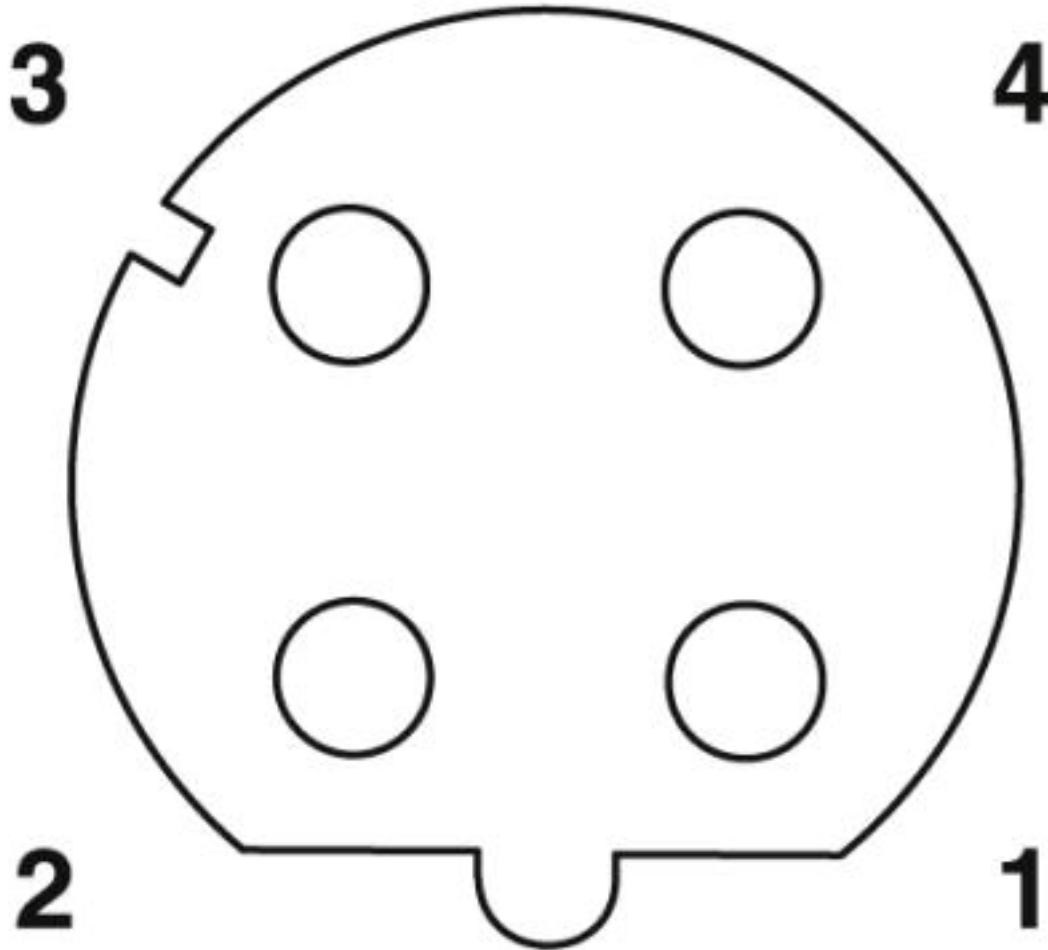
Dimensional drawing



M12 flush-type connector

Flush-type connector - VS-M12FSBP-OE-936-4,0 - 1446540

Schematic diagram



Flush-type connector - VS-M12FSBP-OE-936-4,0 - 1446540

Cable cross section



PROFINET railway applications [936]

Classifications

eCl@ss

eCl@ss 4.0	24010400
eCl@ss 4.1	24010400
eCl@ss 5.0	19030300
eCl@ss 5.1	19030300
eCl@ss 6.0	27061800
eCl@ss 7.0	27060308
eCl@ss 8.0	27060308
eCl@ss 9.0	27060308

Flush-type connector - VS-M12FSBP-OE-936-4,0 - 1446540

Classifications

ETIM

ETIM 3.0	EC000830
ETIM 4.0	EC002061
ETIM 5.0	EC002599
ETIM 6.0	EC001262
ETIM 7.0	EC001262

UNSPSC

UNSPSC 6.01	26121616
UNSPSC 7.0901	26121616
UNSPSC 11	26121604
UNSPSC 12.01	31261501
UNSPSC 13.2	26121604
UNSPSC 18.0	26121604
UNSPSC 19.0	26121604
UNSPSC 20.0	26121604
UNSPSC 21.0	26121604

Approvals

Approvals

Approvals

EAC

Ex Approvals

Approval details

EAC		19060508
-----	---	----------