


Fastening clip - VS-ASI-2FC-FIX - 1404757

Please be informed that the data shown in this PDF Document is generated from our Online Catalog. Please find the complete data in the user's documentation. Our General Terms of Use for Downloads are valid (<http://phoenixcontact.com/download>)

Fastening clip for two AS-Interface flat conductors, self-adhesive and with a 3 mm hole for additional fastening, plastic, gray



Key Commercial Data

Packing unit	20 pc
Minimum order quantity	20 pc
GTIN	 4 046356 322348
GTIN	4046356322348
Weight per Piece (excluding packing)	3.970 g
Custom tariff number	39269097
Country of origin	United States
Note	Made to Order (non-returnable)

Technical data

Mechanical characteristics

Weight	3.97 g
--------	--------

Material data

Width	27 mm
Height	12 mm
Length	74 mm

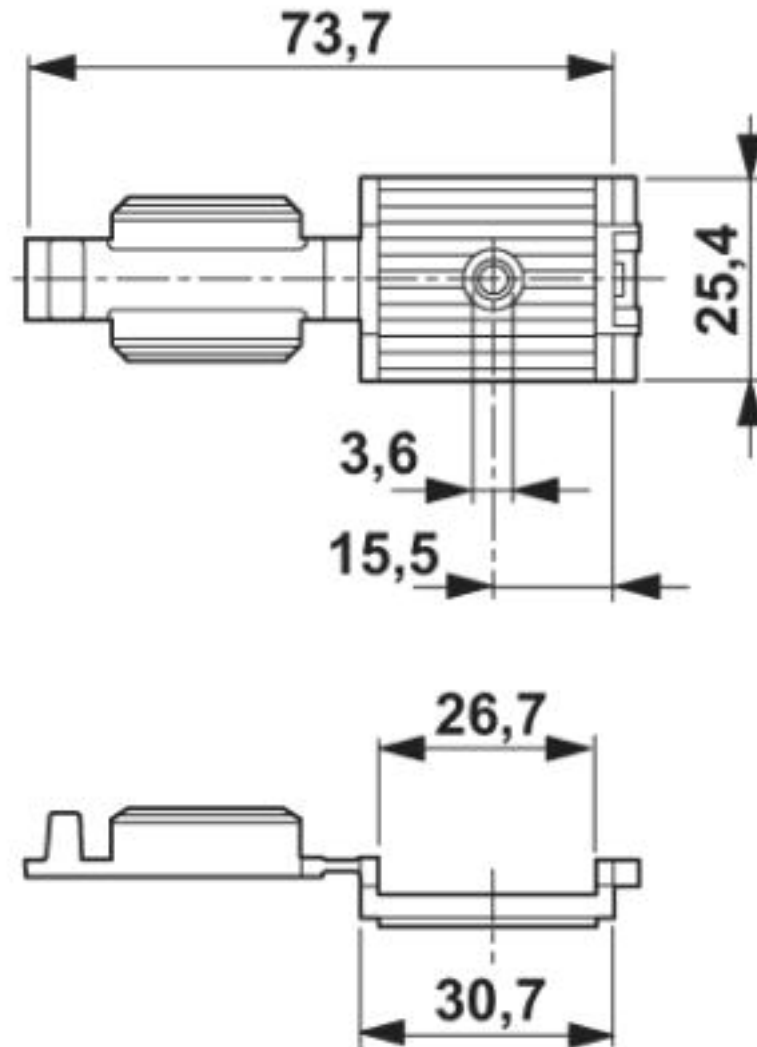
Environmental Product Compliance

China RoHS	Environmentally Friendly Use Period = 50
	For details about hazardous substances go to tab "Downloads", Category "Manufacturer's declaration"

Drawings

Fastening clip - VS-ASI-2FC-FIX - 1404757

Dimensional drawing



Classifications

eCl@ss

eCl@ss 10.0.1	27440192
eCl@ss 4.0	272607xx
eCl@ss 4.1	27260701
eCl@ss 5.0	27260701
eCl@ss 5.1	27260701
eCl@ss 6.0	27261290
eCl@ss 7.0	27440290
eCl@ss 8.0	23159003
eCl@ss 9.0	27440192

Fastening clip - VS-ASI-2FC-FIX - 1404757

Classifications

ETIM

ETIM 3.0	EC000754
ETIM 4.0	EC000754
ETIM 5.0	EC000754
ETIM 6.0	EC000754
ETIM 7.0	EC003510

UNSPSC

UNSPSC 6.01	31261501
UNSPSC 7.0901	31261501
UNSPSC 11	31261501
UNSPSC 12.01	31261501
UNSPSC 13.2	31261501
UNSPSC 18.0	39121421
UNSPSC 19.0	39121421
UNSPSC 20.0	39121421
UNSPSC 21.0	39121421