

Power connectors - CUC-PPC-C2ZNI-SX/24FKP5:FC - 1425514

Please be informed that the data shown in this PDF Document is generated from our Online Catalog. Please find the complete data in the user's documentation. Our General Terms of Use for Downloads are valid (<http://phoenixcontact.com/download>)



Power connectors, degree of protection: IP65/IP67, number of positions: 5, material: Zinc die-cast, connection cross section: AWG 18- 13, cable outlet: straight

Your advantages

- Flexible coding
- Increased temperature range
- Lockable
- One-part housing



Key Commercial Data

Packing unit	1 pc
GTIN	 4 055626 407234
GTIN	4055626407234
Weight per Piece (excluding packing)	108.400 g
Custom tariff number	85366990
Country of origin	Poland

Technical data

Dimensions

External cable diameter	9 mm ... 13 mm
Type	flexible coding

Ambient conditions

Ambient temperature (operation)	-40 °C ... 85 °C
Ambient temperature (assembly)	-10 °C ... 40 °C
Ambient temperature (storage/transport)	-40 °C ... 85 °C

General data

Note	This product corresponds to the PROFIBUS Cabling and Interconnection Technology Guideline for PROFIBUS regulations, version 2.00, order
------	-----------------------------------------------------------------------------------------------------------------------------------------

Power connectors - CUC-PPC-C2ZNI-SX/24FKP5:FC - 1425514

Technical data

General data

	no: 2.252, Chapter 11 Connectors for 24 Volt Power Supply Cabling and Chapter 13 Application specific Cabling and Interconnection Technology (AIDA)
Rated current at 40°C	16 A
Rated voltage	24 V
Number of positions	5
Degree of pollution	3
Alternative short product description	MSTB connector
Locking type	Push Pull
Rated voltage (II/2)	630 V
Rated voltage (III/2)	400 V
Rated voltage	250 V
Rated surge voltage (II/2)	4 kV
Rated surge voltage (III/2)	4 kV
Rated surge voltage (III/3)	4 kV
Rated current	16 A
Rated voltage (III/3)	24 V
Conductor cross section	0.75 mm ² ... 2.5 mm ²
Connection cross section AWG	18 ... 13
Contact material	Copper alloy
Contact carrier material	PA
Contact surface material	Gold over nickel
Housing material	Zinc die-cast

Characteristics head 1

Stripping length of the individual wire	10 mm
Stripping length of the sheath	40 mm

Standards and Regulations

Flammability rating according to UL 94	V0
----------------------------------------	----

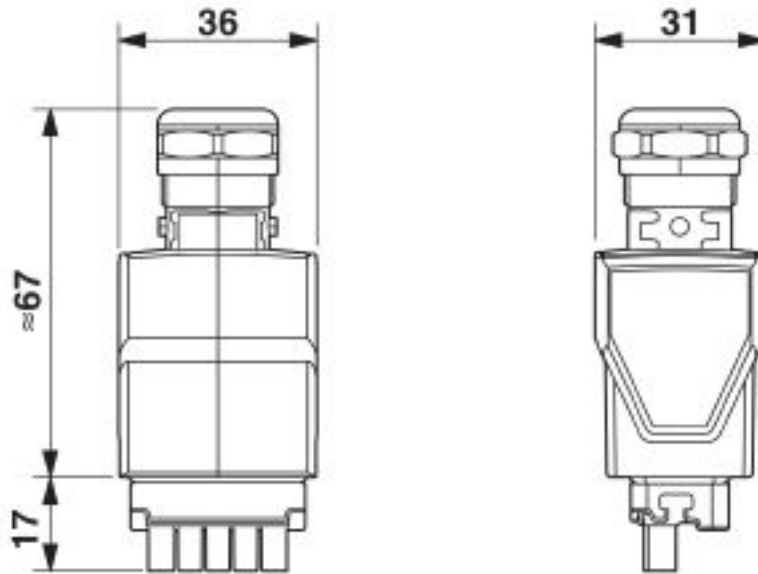
Environmental Product Compliance

	Lead 7439-92-1
--	----------------

Drawings

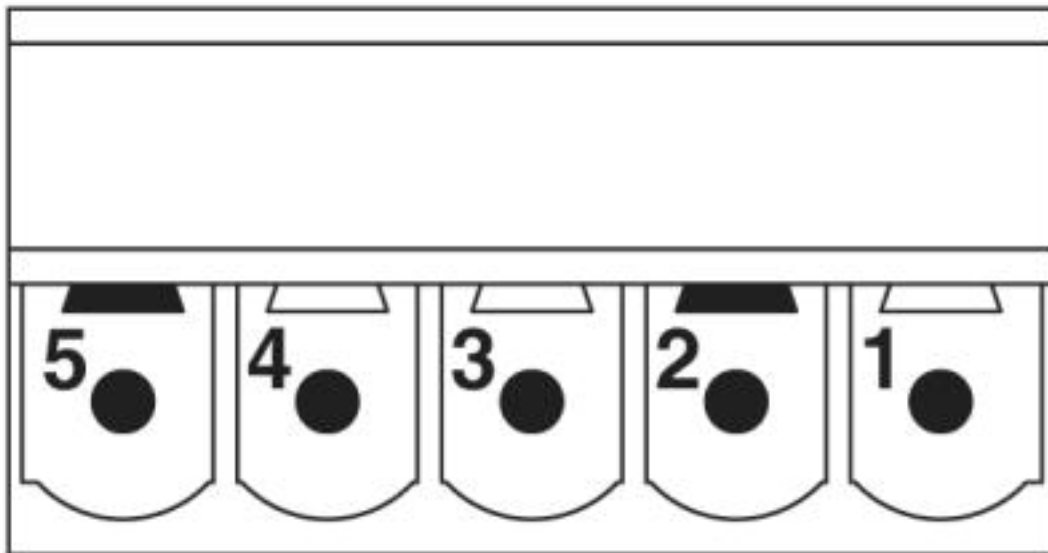
Power connectors - CUC-PPC-C2ZNI-SX/24FKP5:FC - 1425514

Dimensional drawing



Push/pull connector

Schematic diagram



Pin assignment PROFINET push-pull, power connector, 24 V, flexible coding

Classifications

eCI@ss

eCI@ss 4.0	27260700
eCI@ss 4.1	27260700

Power connectors - CUC-PPC-C2ZNI-SX/24FKP5:FC - 1425514

Classifications

eCl@ss

eCl@ss 5.0	27260700
eCl@ss 5.1	27260700
eCl@ss 6.0	27260700
eCl@ss 7.0	27440101
eCl@ss 8.0	27440101
eCl@ss 9.0	27440101

ETIM

ETIM 6.0	EC002636
ETIM 7.0	EC002636

Approvals


Approvals


Approvals

cULus Recognized / EAC

Ex Approvals

Approval details

cULus Recognized  http://database.ul.com/cgi-bin/XYV/template/LISEXT/1FRAME/index.htm E118976-20080903	
Nominal voltage UN	24 V
Nominal current IN	16 A
mm ² /AWG/kcmil	14

EAC  B.01687

Accessories

Accessories

Cable end sleeve

Power connectors - CUC-PPC-C2ZNI-SX/24FKP5:FC - 1425514

Accessories

Ferrule - AI 1,5 -10 BK - 3200195



Ferrule, sleeve length: 10 mm, length: 16 mm, color: black

Ferrule - AI 2,5 -10 BU - 3202533



Ferrule, sleeve length: 10 mm, length: 17 mm, color: blue

Data cable by the meter

Power cable - VS-PN-CABLE-1020/PVC-5X2,5/... - 1609510



PROFINET power cable, 5x 2.5 mm², stranded (7-wire), outer sheath: PVC, outside diameter 11.8 mm, RAL 7001 (silver gray), oil-resistant, by the meter

Power cable - VS-PN-CABLE-1020/PVC-5X2,5/100 - 1609523



PROFINET power cable, 5x 2.5 mm², stranded (7-wire), outer sheath: PVC, outside diameter 11.8 mm, RAL 7001 (silver gray), oil-resistant, cable ring: 100 m

Tool - CRIMPFOX ZA 3 - 1201882



Crimping pliers, for ferrules in accordance with DIN 46228-1: 1992-08 and DIN 46228-4: 1990-09

Additional products

Power connectors - CUC-PPC-C2ZNI-SX/24FKP5:FC - 1425514

Accessories

Panel mounting frames - VS-PPC-F2-MSTB-MNNA-1R-P - 1608087



MSTB panel mounting frame, IP67, for push-pull interlocking, metal, for PCB connection, for square panel cutout, with grommet, without mounting screws

Panel feed-through - CUC-V14-F2ZNI-EM/24FN5:FC - 1408235



Push/pull panel mounting frame, metal, version 14, including contact insert with spring-cage connection, flexible coding, for rectangular mounting cutout, with seal, without fixing screws

Panel mounting frames - CUC-V14-F2ZNI-SC/24FN5:FC - 1409036



MSTB panel mounting frame, IP67, for push-pull interlocking, metal, with integrated contact insert for conductor connection, spring-cage connection, 24 V, for round mounting cutout, with seal, without mounting screws

Female insert - VS-MSTBAH 2,5/ 5-GB-5,08-BK-A - 1657915



MSTB contact insert, for PCB assembly, 24 V, 5-pos., with angled solder pins, RAL 9005 (black), for panel mounting frame VS-PPC-F2-MSTB-...-1R-P

Female insert - VS-MSTBVA 2,5/ 5-GB-5,08-BK-A - 1609565



MSTB contact insert, for PCB assembly, 24 V, 5-pos., with straight solder pins, RAL 9005 (black), for panel mounting frame VS-PPC-F2-MSTB-...-1R-P

Power connectors - CUC-PPC-C2ZNI-SX/24FKP5:FC - 1425514

Accessories

Protective cap - VS-PPC-F2-PC-POBK - 1405329



Protective cap, IP65, with push-pull locking for covering the contact insert in the push-pull connector for Power, plastic

Power distributor - VS-PPC-J-4X-1227 - 1405387



Power H distributor, 4 x MSTB contact inserts, metal housing, without mounting screws

Y distributor - VS-PPC-J-1220-1227-1020-... - 1405484



PROFINET Y distributor with assembled power line, 5-pos., IP65/IP67, MSTB plug with metal housing on 2x socket in metal housing, variable cable length

Power cable - VS-PN-CABLE-1020/PVC-5X2,5/100 - 1609523



PROFINET power cable, 5x 2.5 mm², stranded (7-wire), outer sheath: PVC, outside diameter 11.8 mm, RAL 7001 (silver gray), oil-resistant, cable ring: 100 m

Power cable - VS-PN-CABLE-1020/PVC-5X2,5/... - 1609510



PROFINET power cable, 5x 2.5 mm², stranded (7-wire), outer sheath: PVC, outside diameter 11.8 mm, RAL 7001 (silver gray), oil-resistant, by the meter