

## Protective covers - EV-GBSC-D6,5MM - 1623888

Please be informed that the data shown in this PDF Document is generated from our Online Catalog. Please find the complete data in the user's documentation. Our General Terms of Use for Downloads are valid (<http://phoenixcontact.com/download>)



Self-closing protective cover for infrastructure socket outlet, GB/T, Type 2, GB/T 20234.2, IEC 62196-2, Front mounting, on the right or left of the Infrastructure Socket Outlet, Rear protective cover screw connection, With the Phoenix Contact logo as a sticker

### Product Description

Self-closing protective cover for infrastructure socket outlet

### Your advantages

- Certified in accordance with IATF 16949:2016 and ISO 9001:2015

### Key Commercial Data

Packing unit	1 pc
GTIN	4 055626 202464
GTIN	4055626202464
Weight per Piece (excluding packing)	180.000 g
Custom tariff number	39269097
Country of origin	China
Note	Made to Order (non-returnable)

### Technical data

#### Product definition

Product type	Self-closing protective cover for infrastructure socket outlet
Type	Rear protective cover screw connection
	With the Phoenix Contact logo as a sticker
Standards/regulations	GB/T 20234.2
	IEC 62196-2
Charging standard	GB/T
	Type 2
Charging mode	Mode 3, Case B

#### Dimensions

## Protective covers - EV-GBSC-D6,5MM - 1623888

### Technical data

#### Dimensions

Height	76.6 mm
Width	76.6 mm
Depth	24.7 mm
Bore dimensions	60 mm

#### Ambient conditions

Ambient temperature (operation)	-30 °C ... 50 °C
Ambient temperature (storage/transport)	-40 °C ... 80 °C
Degree of protection	IP54

#### Mechanical properties

Cover mechanism	Self-closing
-----------------	--------------

#### Mounting

Possible mounting positions	Front mounting, on the right or left of the Infrastructure Socket Outlet
Mounting hole diameter	6.50 mm (ø)

#### Design

Design line	Standard
Housing color	black
Label	14.1 mm x 44.8 mm (customer logo on request)

#### Material

Material	Plastic
----------	---------

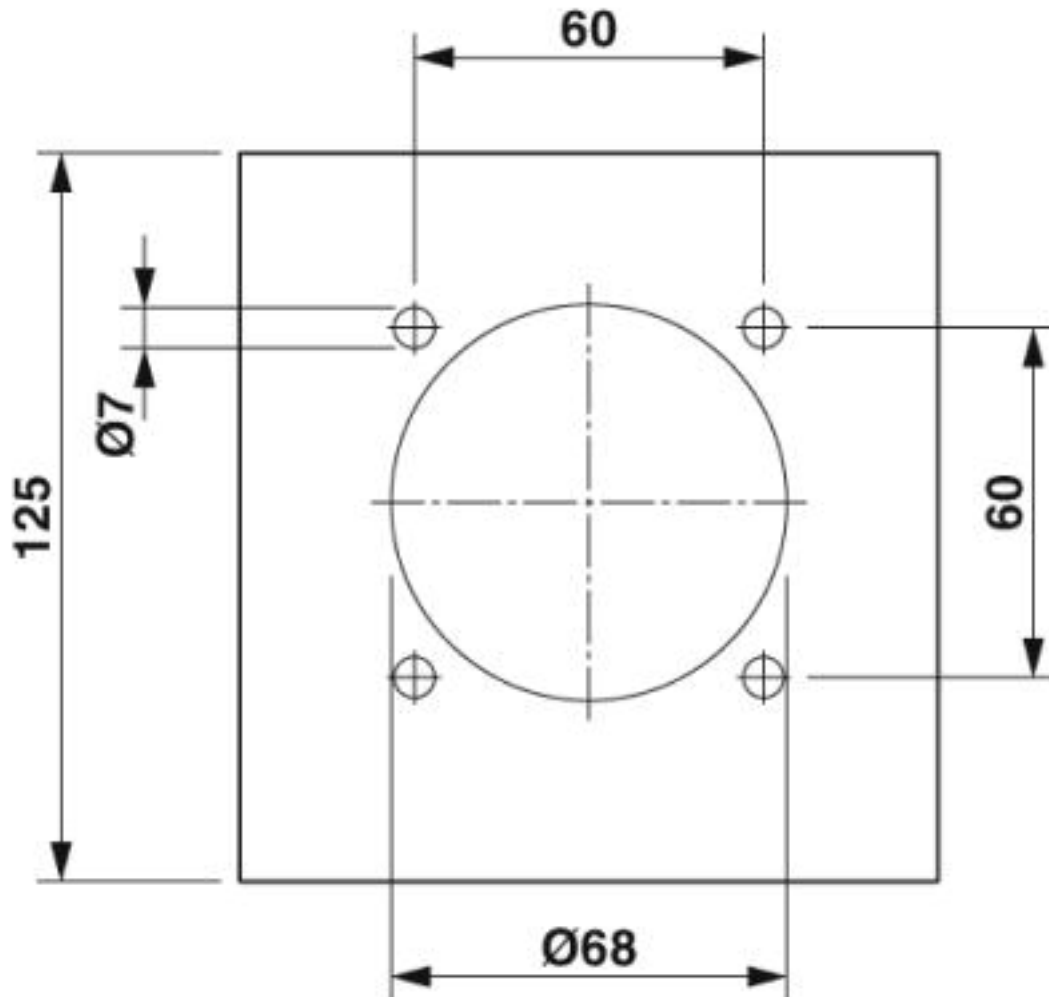
#### Environmental Product Compliance

China RoHS	Environmentally Friendly Use Period = 10;
	For details about hazardous substances go to tab "Downloads", Category "Manufacturer's declaration"

### Drawings

## Protective covers - EV-GBSC-D6,5MM - 1623888

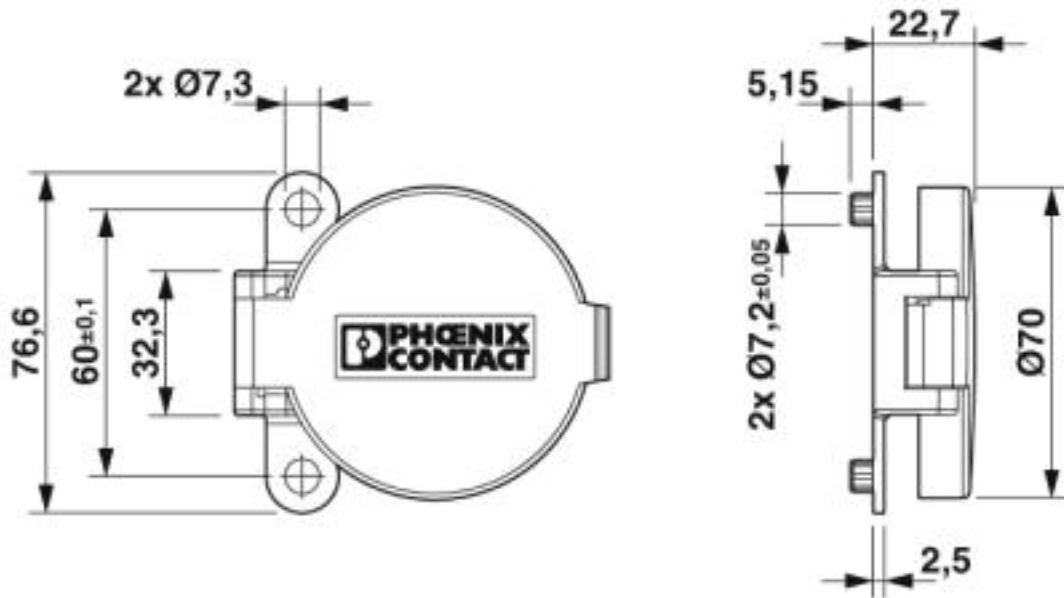
Dimensional drawing



Hole image

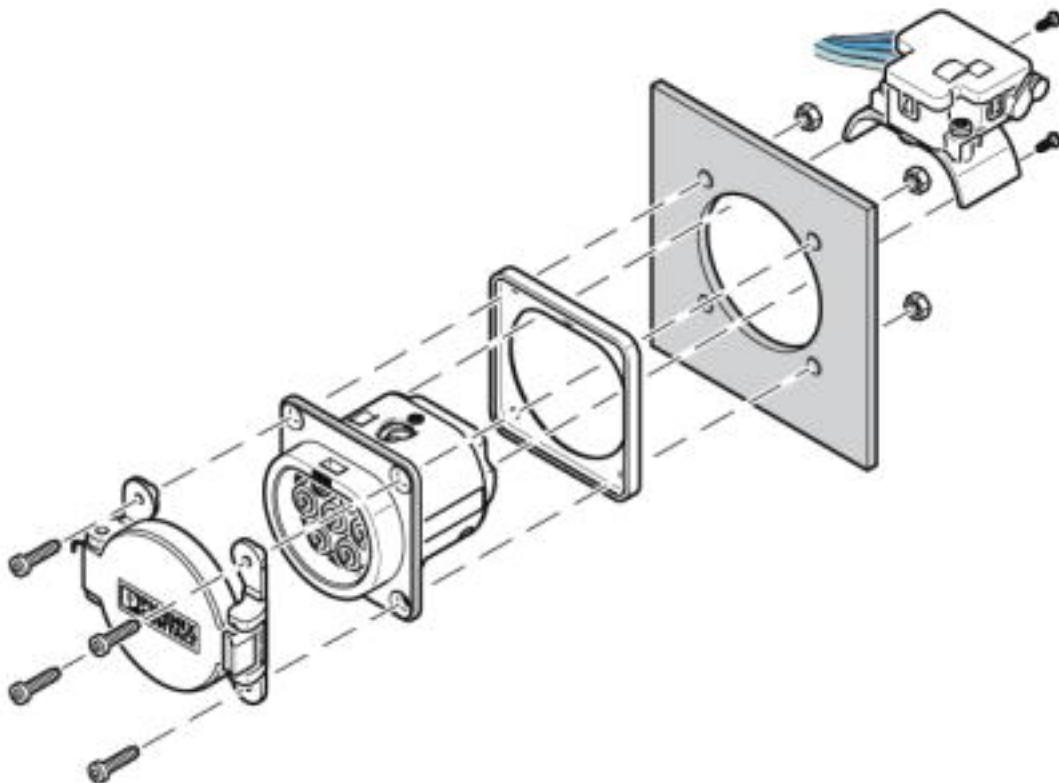
# Protective covers - EV-GBSC-D6,5MM - 1623888

Dimensional drawing



Dimensional drawing

Schematic diagram



Front mounting with rear protective cover screw connection

## Protective covers - EV-GBSC-D6,5MM - 1623888

Front mounting is only possible when the locking actuator is removed. The screw connection for a protective cover from the accessories range (EV-GBSC...) only supports rear mounting.

### Classifications

#### eCl@ss

eCl@ss 10.0.1	27144792
eCl@ss 4.0	27141200
eCl@ss 4.1	27141200
eCl@ss 5.0	27149100
eCl@ss 5.1	27149100
eCl@ss 6.0	27261200
eCl@ss 7.0	27440208
eCl@ss 8.0	27440208
eCl@ss 9.0	27144792

#### ETIM

ETIM 2.0	EC000241
ETIM 3.0	EC002061
ETIM 4.0	EC002061
ETIM 5.0	EC002314
ETIM 6.0	EC002884
ETIM 7.0	EC002884

#### UNSPSC

UNSPSC 6.01	30211923
UNSPSC 7.0901	39121522
UNSPSC 11	39121522
UNSPSC 12.01	39121522
UNSPSC 13.2	39121522
UNSPSC 18.0	39121522
UNSPSC 19.0	39121522
UNSPSC 20.0	39121522
UNSPSC 21.0	39121522

### Accessories

#### Accessories

##### Infrastructure socket outlet

Socket Outlet - EV-GBM3S-1AC32A-0,7M6,0E00 - 1408169



Infrastructure Socket Outlet for charging electric vehicles with alternating current (AC), compatible with Infrastructure Plugs, GB/T, GB/T 20234.2-2015, 32 A / 250 V (AC), Single wires, length: 0.7 m, Front and rear mounting, Rear protective cover screw connection, NOTE This product version does not include a locking actuator.

## Protective covers - EV-GBSC-D6,5MM - 1623888

### Accessories

Socket Outlet - EV-GBM3S-3AC32A-0,7M6,0E00 - 1408170



Infrastructure Socket Outlet for charging electric vehicles with alternating current (AC), compatible with Infrastructure Plugs, GB/T, GB/T 20234.2-2015, 32 A / 440 V (AC), Single wires, length: 0.7 m, Front and rear mounting, Rear protective cover screw connection, NOTE This product version does not include a locking actuator.

---

Socket Outlet - EV-GBM3SE12-1AC32A-0,7M6,0E10 - 1408171



Infrastructure Socket Outlet for charging electric vehicles with alternating current (AC), compatible with Infrastructure Plugs, GB/T, GB/T 20234.2-2015, 32 A / 250 V (AC), 12 V Locking actuator, Single wires, length: 0.7 m, Rear panel mounting, Rear protective cover screw connection

---

Socket Outlet - EV-GBM3SE12-3AC32A-0,7M6,0E10 - 1408172



Infrastructure Socket Outlet for charging electric vehicles with alternating current (AC), compatible with Infrastructure Plugs, GB/T, GB/T 20234.2-2015, 32 A / 440 V (AC), 12 V Locking actuator, Single wires, length: 0.7 m, Rear panel mounting, Rear protective cover screw connection