

# Splice box - FOC-SB-FR19:1U-LCD24-OM4 BK - 1418818

Please be informed that the data shown in this PDF Document is generated from our Online Catalog. Please find the complete data in the user's documentation. Our General Terms of Use for Downloads are valid (<http://phoenixcontact.com/download>)

19" splice box, black, 1 RU, fully pre-assembled ready to splice, for 24 x LC duplex OM4



19" splice box, black, 24 x LC duplex OM4

## Product Description


19" FDX 20 series splice boxes, 1 RU, with removable drawer, for 24x LC duplex OM4, black, completely ready to splice (correctly pre-mounted: 24 ceramic couplings, 48 pigtails, 4 cassettes, 8 combs, 1 cassette cover, and 48x shrink splice protectors). 4 cable entries (rear) incl. 4 M20 cable glands, measurement protocol and 19" mounting set.

## Your advantages

- removable drawer with quick release
- easy to remove drawer
- high-quality individual components
- 100 % control including measurement protocol
- fully prepared ready to splice
- 4 cable entries including 4 cable glands
- including 19" mounting set
- including shrink splice protection
- easy to install



## Key Commercial Data

Packing unit	1 pc
GTIN	 4 055626 151717
GTIN	4055626151717
Weight per Piece (excluding packing)	4,216.400 g
Custom tariff number	85389099
Country of origin	Germany
Note	Made to Order (non-returnable)

# Splice box - FOC-SB-FR19:1U-LCD24-OM4 BK - 1418818

## Technical data

### Mechanical characteristics

Connection method	Splicing
Number of slots	48
No. of cable outlets	4
Locking type	Push Pull
Weight	4216.4 g

### Ambient conditions

Ambient temperature (operation)	-10 °C ... 60 °C
Degree of protection	IP20

### Material data

Housing material	Sheet steel
Housing surface material	Powder-coated, black
Width	483 mm
Height	43.8 mm
Depth	329 mm
Mounting type	Screw mounting

### Standards and Regulations

Flammability rating according to UL 94	V0
--	----

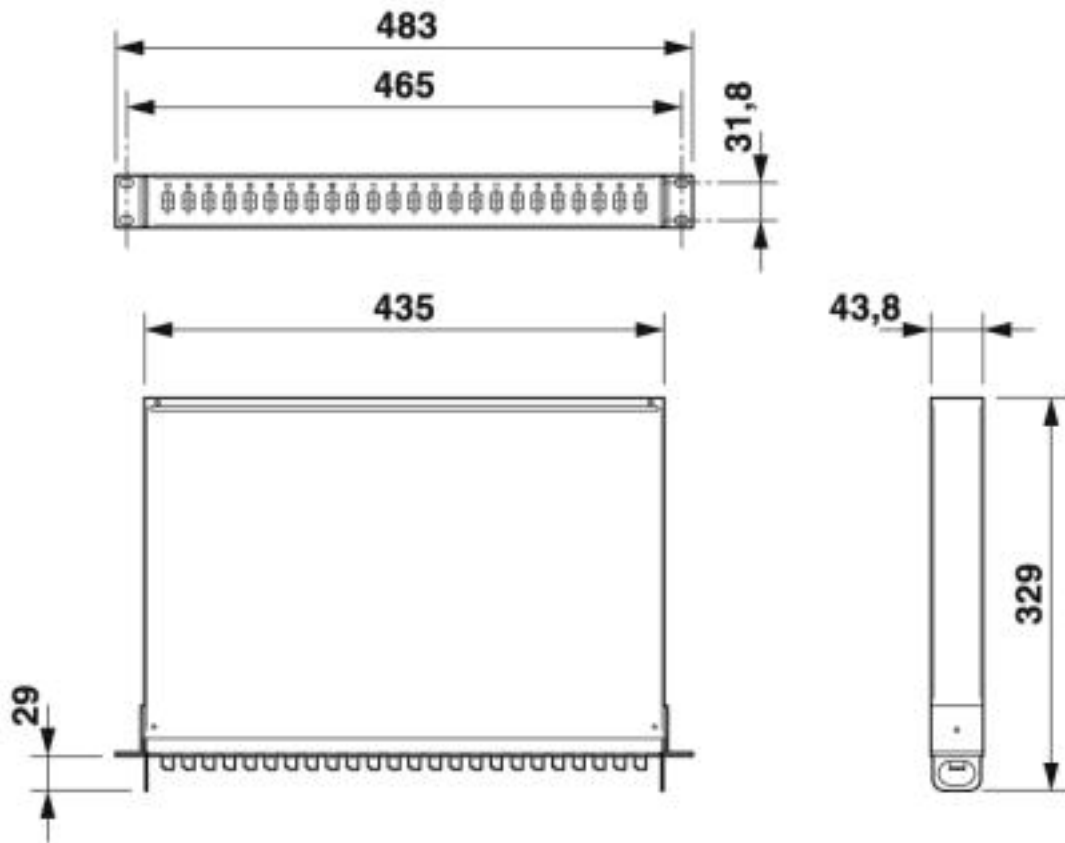
### Environmental Product Compliance

China RoHS	Environmentally friendly use period: unlimited = EFUP-e
	No hazardous substances above threshold values

## Drawings

# Splice box - FOC-SB-FR19:1U-LCD24-OM4 BK - 1418818

Dimensional drawing



## Classifications

### eCl@ss

eCl@ss 4.0	27140800
eCl@ss 4.1	27140800
eCl@ss 5.0	27143400
eCl@ss 5.1	27143400
eCl@ss 6.0	27261200
eCl@ss 7.0	27440210
eCl@ss 8.0	27440210
eCl@ss 9.0	27440210

### ETIM

ETIM 4.0	EC002310
ETIM 5.0	EC002310
ETIM 6.0	EC002310
ETIM 7.0	EC002310

### UNSPSC

UNSPSC 6.01	31261501
-------------	----------

# Splice box - FOC-SB-FR19:1U-LCD24-OM4 BK - 1418818

## Classifications

### UNSPSC

UNSPSC 7.0901	31261501
UNSPSC 11	31261501
UNSPSC 12.01	31261501
UNSPSC 13.2	39121421
UNSPSC 18.0	39121421
UNSPSC 19.0	39121421
UNSPSC 20.0	39121421
UNSPSC 21.0	39121421

## Approvals

### Approvals

---

Approvals

EAC

---

Ex Approvals

---

### Approval details

EAC		B.01687
-----	--	---------

## Accessories

### Accessories

Data cable preassembled

FO patch cable - FOC-LC:A-LC:A-GZ03/... - 1405690



Assembled FO cable, zip cord cable, multi-mode fiberglass 50/125 µm, OM4, plug: LC/LC, degree of protection: IP20, for installation in cable ducts or control cabinets

## Splice box - FOC-SB-FR19:1U-LCD24-OM4 BK - 1418818

### Accessories

FO patch cable - FOC-SC:A-LC:A-GZ03/... - 1405693



Assembled FO cable, zip cord cable, multi-mode fiberglass 50/125 µm, OM4, plug: SC/LC, degree of protection: IP20, for installation in cable ducts or control cabinets

---

FO patch cable - FOC-LC:A-SJ:A-GZ03/... - 1405696



Assembled FO cable, zip cord cable, multi-mode fiberglass 50/125 µm, OM4, plug: LC/SC-RJ, degree of protection: IP20, for installation in cable ducts or control cabinets

---

FO accessories - FOC-TOOL-FERRULECLEANER-1.25 - 1407032



Ferrule cleaner, 1.25 mm, for LC, approx. 500 cleaning cycles

---

FO accessories - FOC-TOOL-STICKCLEANER-1.25 - 1407000



Stick cleaner for couplings and plug end faces, 1.25 mm (LC), Pcs. / Pkt.: 10

---

Marshalling panel - CUC-PP-PATCHBAY-MH BK - 1409284

Marshalling distributor panel, 19", 1 HU, with 5 metal brackets, color similar to RAL 9005

