

## Lightning current measuring system - LM-S-LS-H - 2800616

Please be informed that the data shown in this PDF Document is generated from our Online Catalog. Please find the complete data in the user's documentation. Our General Terms of Use for Downloads are valid (<http://phoenixcontact.com/download>)




Optical lightning sensor for the live monitoring system for the continuous detection and evaluation of lightning strikes. IP67 protection.

### Your advantages

- ✓ Optical lightning sensor for measuring current strength
- ✓ Rugged design
- ✓ Resistant to vibrations, temperature, and humidity
- ✓ Good UV resistance

### Key Commercial Data

Packing unit	1 pc
GTIN	 4 046356 615273
GTIN	4046356615273
Weight per Piece (excluding packing)	363.600 g
Custom tariff number	90303900
Country of origin	Germany

### Technical data

#### Dimensions

Height	290 mm
Width	155 mm
Depth	50 mm

#### Ambient conditions

Ambient temperature (operation)	-30 °C ... 60 °C
Ambient temperature (storage/transport)	-40 °C ... 85 °C
Permissible humidity (operation)	30 % ... 95 % (non-condensing)
Permissible humidity (storage/transport)	30 % ... 95 % (non-condensing)
Altitude	≤ 4000 m (amsl (above mean sea level))

## Lightning current measuring system - LM-S-LS-H - 2800616

### Technical data

#### General

Housing material	XYRON 644Z
Ferrule material	Zirconia ceramics
Fiber type	Quartz fiber
Mounting type	On lightning arrester cables

#### Typical characteristics

Interface	Fiber optic interface
Number of ports	1
Maximum current strength	± 5 kA ... 400 kA
Interface	Fiber optic interface
Connection method	SC-RJ socket with push/pull connector, IP67

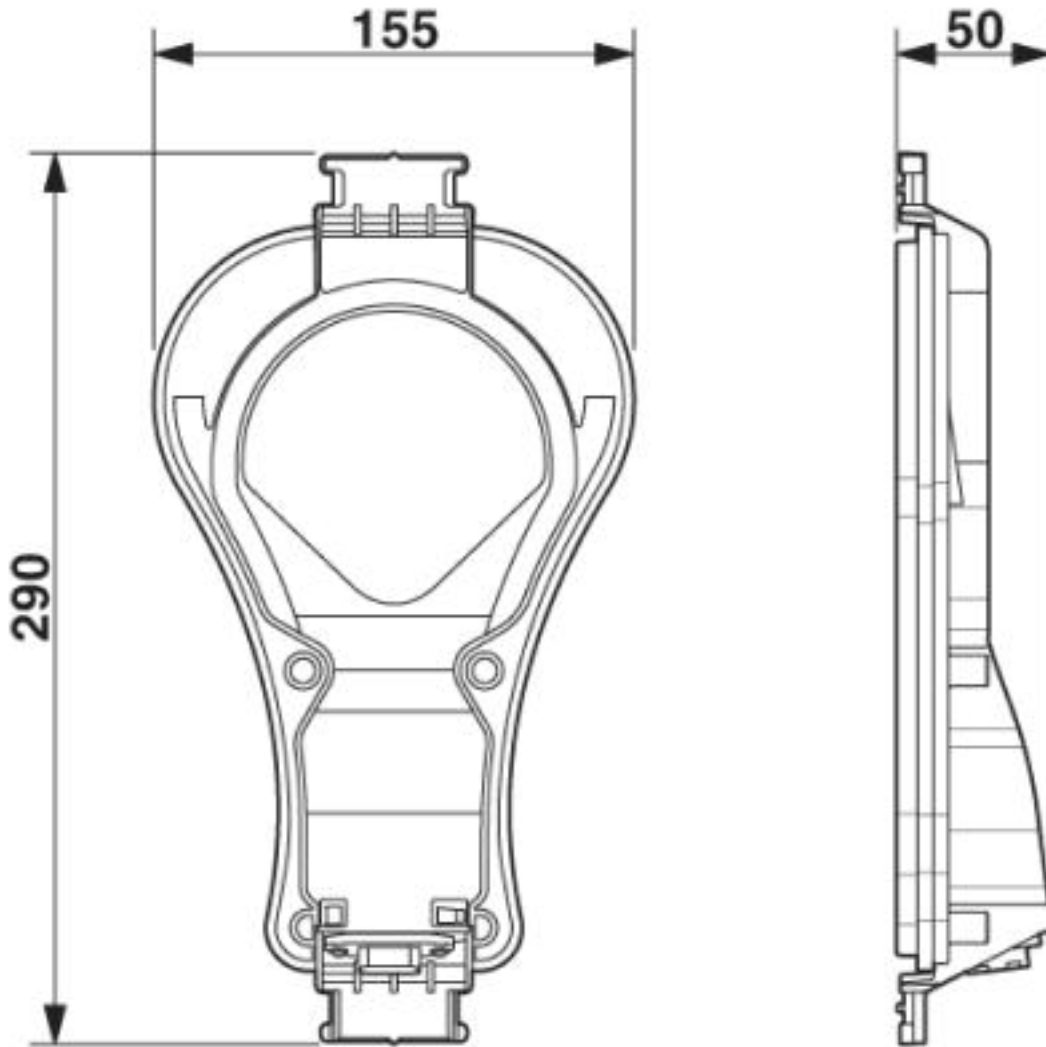
#### Environmental Product Compliance

China RoHS	Environmentally friendly use period: unlimited = EFUP-e
	No hazardous substances above threshold values

### Drawings

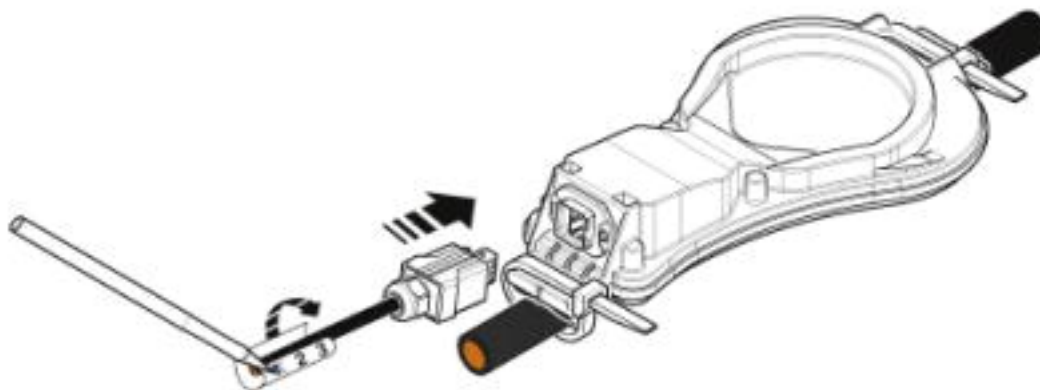
# Lightning current measuring system - LM-S-LS-H - 2800616

Dimensional drawing



# Lightning current measuring system - LM-S-LS-H - 2800616

Schematic diagram



Marking of the connecting cable

## Classifications

### eCl@ss

eCl@ss 4.0	27210900
eCl@ss 4.1	27210900
eCl@ss 5.0	27371500
eCl@ss 5.1	27371500
eCl@ss 6.0	27379200
eCl@ss 7.0	27379202
eCl@ss 8.0	27379202
eCl@ss 9.0	27201124

### ETIM

ETIM 3.0	EC001505
ETIM 4.0	EC002027
ETIM 5.0	EC002027
ETIM 6.0	EC002965
ETIM 7.0	EC002965

### UNSPSC

UNSPSC 6.01	30211501
UNSPSC 7.0901	39121019
UNSPSC 11	39121006
UNSPSC 12.01	39121610
UNSPSC 13.2	39121621
UNSPSC 18.0	39121621
UNSPSC 19.0	39121621
UNSPSC 20.0	39121621
UNSPSC 21.0	39121621

## Lightning current measuring system - LM-S-LS-H - 2800616

### Accessories

#### Accessories

#### Socket spanner

Screwdriver - SF-THEX 4-150 - 1212640



T-handle screwdriver, for Allen screws, hexagonal (with chamfer), size: hex 4 x 150 mm, ergonomically shaped handle, matt chrome-plated

---

FO accessories - FOC-TOOL-FERRULECLEANER-2.50 - 1407029



2.50 mm ferrule cleaner, for ST, SC, FC, E2000 (also APC), approx. 500 cleaning cycles

### Necessary add-on products

Lightning current measuring system - LM-S-A/C-3S-ETH - 2800618



Evaluation unit for the live monitoring system for the continuous detection and evaluation of lightning strikes. Up to three optical lightning sensors can be connected.

---

FO patch cable - FOC-ST:A-SJ:C-HB02/10 PR - 1423846



Assembled FO cable, PROFINET cable type B, 200/230  $\mu$ m PCF fiber, SC-RJ/IP67 push-pull metal housing to BFOC(ST)/IP20, PVC outer sheath, halogen-free, ozone and UV-resistant, in conduit, for fixed indoor installation, length: 10 m

---

FO patch cable - FOC-SJ:14-ST/.../.../... - 1417723



Assembled FO cable, PROFINET cable type B, 200/230  $\mu$ m PCF fiber, SC-RJ/IP67 push-pull metal housing to BFOC(ST)/IP20, PVC outer sheath, halogen-free, ozone and UV resistant, for fixed indoor installation, variable length

## Lightning current measuring system - LM-S-LS-H - 2800616

### Accessories

FO patch cable - FOC-ST:A-SJ:C-HB02/13 PR - 1426160



Assembled FO cable, PROFINET cable type B, 200/230  $\mu\text{m}$  PCF fiber, SC-RJ/IP67 push-pull metal housing to BFOC(ST)/IP20, PVC outer sheath, halogen-free, ozone and UV-resistant, in conduit, for fixed indoor installation, length: 13 m

---

### Additional products

Assembly adapters - MONTAGE ADAPTER LM-S-LS 02 - 2906891



Adapter for easy and correct mounting of the optical lightning sensor for measuring lightning surge currents in a rotor blade of a wind turbine generator.