

## Front plate - ECS-P-122X169-S-UV1-1M12 - 2230009

Please be informed that the data shown in this PDF Document is generated from our Online Catalog. Please find the complete data in the user's documentation. Our General Terms of Use for Downloads are valid (<http://phoenixcontact.com/download>)

Screw locking one female M12 faceplate of the ECS Family. IP66/67/69 rated when mated with associated enclosure. Color: Black (9005), Width: 163 mm, Height: 30 mm, Depth: 62 mm



### Your advantages

- Part of the EnviroCase System
- Suitable for outdoor/indoor applications
- IP66/IP67 rated with faceplate secured to the base
- Common M12 connector interface

### Key Commercial Data

Packing unit	5 pc
Minimum order quantity	5 pc
GTIN	
GTIN	4055626381442
Weight per Piece (excluding packing)	130.980 g
Custom tariff number	85389099
Country of origin	United States

### Technical data

#### Item properties

Type	ECS-P-122X169-S-UV1-1M12
Order No.	2230009
Type	Screw locking
Connection	1x M12 nut
Mounting type	Screw locking
Type of locking	screw locking

#### Measurements

Width [ w ]	163 mm
-------------	--------

# Front plate - ECS-P-122X169-S-UV1-1M12 - 2230009

## Technical data

### Measurements

Height [ h ]	30 mm
Depth [ d ]	62 mm

### Material specifications

Color (RAL)	black (9005)
Flammability rating according to UL 94	V0
Housing material	PC (polycarbonate)

### Ambient conditions

Ambient temperature (operation)	-40 °C ... 100 °C
---------------------------------	-------------------

### PCB data

Number of PCB holders	1
-----------------------	---

### Packaging information

Pieces per package	5
Denomination packing units	Pcs.

### Standards and regulations

Flammability rating according to UL 94	V0
----------------------------------------	----

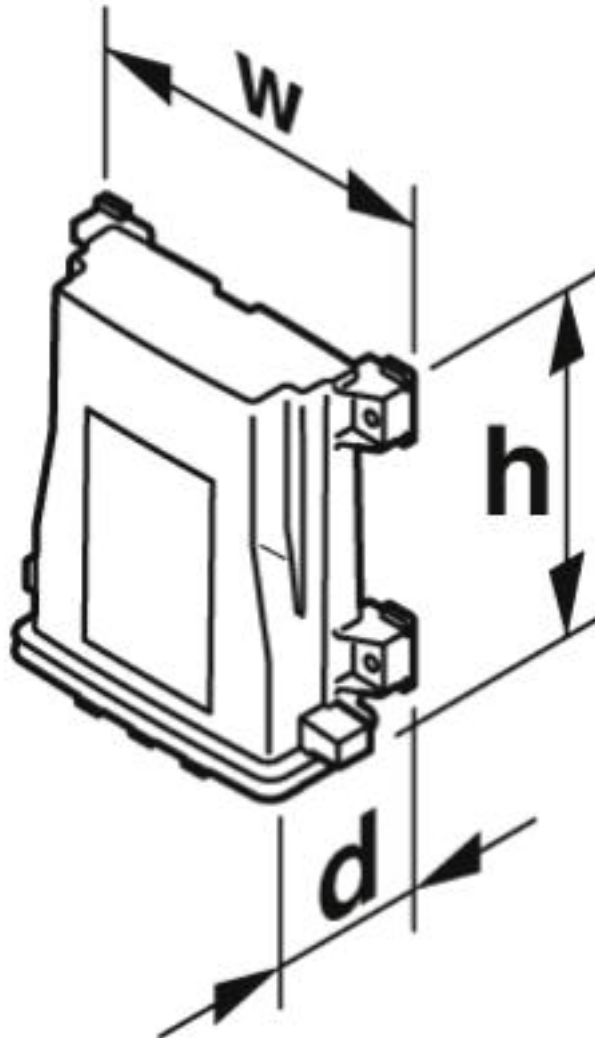
### Environmental Product Compliance

REACH SVHC	Lead 7439-92-1
China RoHS	Environmentally Friendly Use Period = 50
	For details about hazardous substances go to tab "Downloads", Category "Manufacturer's declaration"

## Drawings

## Front plate - ECS-P-122X169-S-UV1-1M12 - 2230009

Dimensional drawing



### Classifications

eCl@ss

eCl@ss 4.0	27180401
eCl@ss 4.1	27180401
eCl@ss 5.0	27180505
eCl@ss 5.1	27180505
eCl@ss 6.0	27180800
eCl@ss 7.0	27182702
eCl@ss 8.0	27182702
eCl@ss 9.0	27182702

# Front plate - ECS-P-122X169-S-UV1-1M12 - 2230009

## Classifications

### ETIM

ETIM 3.0	EC001031
ETIM 4.0	EC001031
ETIM 5.0	EC000058
ETIM 6.0	EC001031
ETIM 7.0	EC001031

### UNSPSC

UNSPSC 6.01	31261501
UNSPSC 7.0901	31261501
UNSPSC 11	31261501
UNSPSC 12.01	31261501
UNSPSC 13.2	31261501
UNSPSC 18.0	31261501
UNSPSC 19.0	31261501
UNSPSC 20.0	31261501
UNSPSC 21.0	31261501

## Accessories

### Accessories

#### Contact insert

Flush-type connector - SACC-CI-M12FS-4CON-L 90 SH SCO - 1432444



Sensor/actuator flush-type connector, socket, 4-pos., A-coded, shielded, with angled solder connection, only contact insert

Flush-type connector - SACC-CI-M12FS-4CON-L90 SCO - 1436628



Sensor/actuator flush-type connector, socket, 4-pos., A-coded, with angled solder connection, only contact insert

## Front plate - ECS-P-122X169-S-UV1-1M12 - 2230009

### Accessories

Flush-type connector - SACC-CI-M12FSD-4CON-L90 SCO - 1432457



Sensor/actuator flush-type connector, socket, 4-pos., D-coded, shielded, with angled solder connection, only contact insert

---

Flush-type connector - SACC-CI-FS-5CON-L 90 SH SCO - 1432431



Sensor/actuator flush-type connector, socket, 5-pos., A-coded, shielded, with angled solder connection, only contact insert

---

Flush-type connector - SACC-CI-M12FS-5CON-L90 SCO - 1436644



Sensor/actuator flush-type connector, socket, 5-pos., A-coded, with angled solder connection, only contact insert

---

Flush-type connector - SACC-CI-M12FS-8CON-L90 SH SCO - 1437009



Sensor/actuator flush-type connector, socket, 8-pos., A-coded, shielded, with angled solder connection, only contact insert

---

Flush-type connector - SACC-CI-M12FS-8CON-L90 SCO - 1436990



Sensor/actuator flush-type connector, socket, 8-pos., A-coded, with angled solder connection, only contact insert

---

## Front plate - ECS-P-122X169-S-UV1-1M12 - 2230009

### Accessories

Flush-type connector - SACC-CI-M12FS-12CON-L90 SH - 1424199



Sensor/actuator flush-type socket, 12-pos. with shroud, A-coded, with angled solder connection, contact insert only

---

Flush-type connector - SACC-CI-M12FS-12CON-L90 - 1424195



Sensor/actuator flush-type socket, 12-pos. without shroud, A-coded, with angled solder connection, contact insert only

---

Flush-type connector - SACC-CI-M12FS-17CON-L90 SH - 1424201



Sensor/actuator flush-type socket, 17-pos. with shroud, A-coded, with angled solder connection, contact insert only

---

Flush-type connector - SACC-CI-M12FS-17CON-L90 - 1424197



Sensor/actuator flush-type socket, 17-pos. without shroud, A-coded, with angled solder connection, contact insert only

---

Flush-type socket - SACC-CI-M12FSY-8CON-L90 - 1424193



Hybrid contact carrier, Ethernet, 8-pos., rear/screw mounting, with angled solder connection

---

## Front plate - ECS-P-122X169-S-UV1-1M12 - 2230009

### Accessories

Flush-type connector - SACC-CI-M12FSX-8CON-L90 - 1424180



CAT6<sub>A</sub> contact carrier, Ethernet, 8-pos., rear mounting, with angled solder connection

---

### Plug for cable screw gland

Screw plug - PROT-M12 - 1680539



An M12 screw plug for the unoccupied M12 sockets of the sensor/actuator cable, boxes and flush-type connectors

Screw plug - PROT-M12 SH - 1503302



An M12 screw plug for the unoccupied M12 sockets of the shielded sensor/actuator cable, boxes and flush-type connectors

---

### Screwdriver tools

Screwdriver - SZS 1,0X6,5 VDE - 1205079



Screwdriver, slot-headed, VDE insulated, size: 1.0 x 6.5 x 150 mm, 2-component grip, with non-slip grip

---

### Additional products

Electronic housing - ECS-B-122X169-S-UV1-V - 2230002



Screw locking vented enclosure of the ECS Family. IP66/67/69 rated when mated with associated faceplate. Color: Black (9005), Width: 164 mm, Height: 176 mm, Depth: 64 mm

## Front plate - ECS-P-122X169-S-UV1-1M12 - 2230009

### Accessories

Electronic housing - ECS-B-122X169-S-UV1-NV - 2230003



Screw locking non-vented enclosure of the ECS family. IP66/67/69 rated when mated with associated faceplate. Color: Black (9005), Width: 164 mm, Height: 176 mm, Depth: 64 mm

---

Electronic housing - ECS-B-122X109-S-UV1-V - 1054710



Screw locking vented enclosure of the ECS Family. IP66/67/69 rated when mated with associated faceplate. Color: Black (9005), Width: 164 mm, Height: 116 mm, Depth: 64 mm

---

Electronic housing - ECS-B-122X109-S-UV1-NV - 1054711



Screw locking non-vented enclosure of the ECS family. IP66/67/69 rated when mated with associated faceplate. Color: Black (9005), Width: 164 mm, Height: 116 mm, Depth: 64 mm

---

---