

Head-mounted transducer - FA MCR-HT-TS-I-OLP-PT - 2908742


Please be informed that the data shown in this PDF Document is generated from our Online Catalog. Please find the complete data in the user's documentation. Our General Terms of Use for Downloads are valid (<http://phoenixcontact.com/download>)



The output-loop-powered head transmitter transmits up to two sensor signals from RTD and TC sensors as well as from resistance-type sensors and voltage sensors and via HART_communication or 4 ... 20 mA, configurable. SIL2/3



Key Commercial Data

Packing unit	1 pc
GTIN	 4 055626 347783
GTIN	4055626347783
Weight per Piece (excluding packing)	186.600 g
Custom tariff number	85437090
Country of origin	Germany

Technical data

Ambient conditions

Ambient temperature (operation)	-40 °C ... 85 °C
	-40 °C ... 70 °C (SIL active)
Ambient temperature (storage/transport)	-50 °C ... 100 °C
Maximum altitude	≤ 4000 m (Above sea level)
Permissible humidity (operation)	5 % ... 95 % (condensation permitted)
Degree of protection	IP33 (upon installation in field housing IP66/67, NEMA 4X)

Output data

Configurable/programmable	no
Current output signal	4 mA ... 20 mA (HART)
	20 mA ... 4 mA (HART)
Max. output current	23 mA

Power supply

Head-mounted transducer - FA MCR-HT-TS-I-OLP-PT - 2908742

Technical data

Power supply

Supply voltage range	11 V ... 42 V (Standard)
	11 V ... 32 V (SIL active)

Connection data

Connection method	Push-in connection
Stripping length	10 mm
Conductor cross section solid	0.2 mm ² ... 1.5 mm ²
Conductor cross section flexible	0.2 mm ² ... 1.5 mm ²
Conductor cross section AWG	24 ... 16

General

Assembly instructions	Installation in connecting head B in accordance with DIN EN 50446
Conformance	CE-compliant
ATEX	# II 3G Ex nA IIC T6...T4 Gc
UL, USA/Canada	UL 61010 Recognized
FM approval	NI / Class I / Div. 1, 2 / Group ABCD T6/T5/T4
CSA	NI, Class I, Div. 2, Groups A, B, C, D

Standards and Regulations

Pollution degree	2
Overvoltage category	II
Conformance	CE-compliant
ATEX	# II 3G Ex nA IIC T6...T4 Gc
UL, USA/Canada	UL 61010 Recognized
FM approval	NI / Class I / Div. 1, 2 / Group ABCD T6/T5/T4
CSA	NI, Class I, Div. 2, Groups A, B, C, D

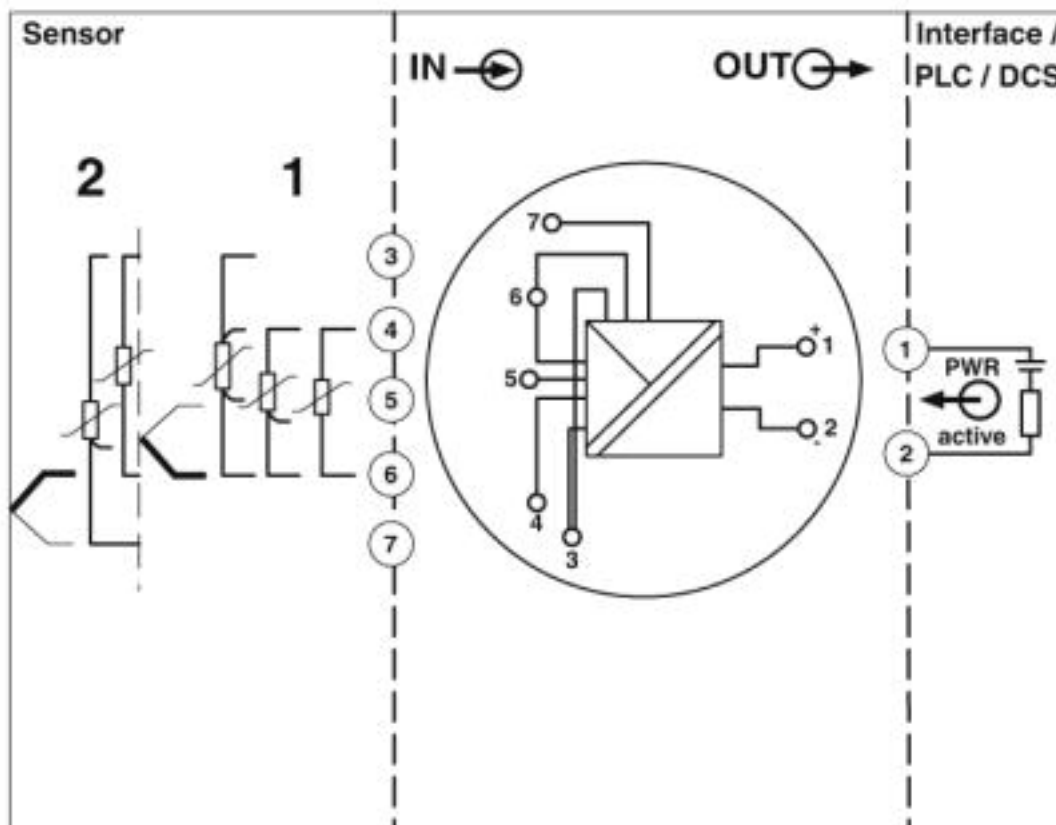
Environmental Product Compliance

China RoHS	Environmentally friendly use period: unlimited = EFUP-e
	No hazardous substances above threshold values

Drawings

Head-mounted transducer - FA MCR-HT-TS-I-OLP-PT - 2908742

Block diagram



Block diagram for FA MCR-HT-TS-I-OLP-PT

Classifications

eCl@ss

eCl@ss 4.0	27200200
eCl@ss 4.1	27200200
eCl@ss 5.0	27200200
eCl@ss 5.1	27200200
eCl@ss 6.0	27200200
eCl@ss 7.0	27200206
eCl@ss 8.0	27200206
eCl@ss 9.0	27210129

ETIM

ETIM 2.0	EC001446
ETIM 3.0	EC001446
ETIM 4.0	EC001446
ETIM 5.0	EC001446
ETIM 6.0	EC002919

Head-mounted transducer - FA MCR-HT-TS-I-OLP-PT - 2908742

Classifications

ETIM

ETIM 7.0	EC002919
----------	----------

Approvals

Approvals

Approvals

UL Recognized / cUL Recognized / Functional Safety / EAC / cULus Recognized

Ex Approvals

ATEX / FM approved / CSA

Approval details

UL Recognized		http://database.ul.com/cgi-bin/XYV/template/LISEXT/1FRAME/index.htm	FILE E 198586
---------------	--	---	---------------

cUL Recognized		http://database.ul.com/cgi-bin/XYV/template/LISEXT/1FRAME/index.htm	FILE E 198586
----------------	--	---	---------------

Functional Safety	http://www.tuev-sued.de	Z10 17 09 29429 006
-------------------	---	---------------------

EAC		RU*DE.*08.B.01522/19
-----	--	----------------------

cULus Recognized	
------------------	--

Accessories

Accessories

Digital displays

Head-mounted transducer - FA MCR-HT-TS-I-OLP-PT - 2908742

Accessories

Display - FA MCR-HT-D - 2908735



Display unit for plugging directly into the FA MCR-... head transmitter

Housing

Electronic housing - FA MCR-HT-FH - 2908736



Field housing for the installation of head transmitters with or without display unit. For direct connection to the process.

Mounting material

Mounting kit - FA MCR-HT-FH-WM - 2908737



Wall fastening for FA MCR-HT-FH field housing

Mounting rail adapter

Adapter - MCR-DIN-RAIL-ADAPTER HT - 2864671



DIN rail adapter for head-mounted transducers. Suitable for 35 mm DIN rails in accordance with EN 60715.

Programming adapter

Programming adapter - MCR-PAC-T-USB - 2309000



Programming adapter with USB and T port interface, 2.4 m for programming FA MCR-..., MCR-...-LP-..., and MCR-...-HT-... modules

Head-mounted transducer - FA MCR-HT-TS-I-OLP-PT - 2908742

Accessories

Programming cable

Cable adapter - GW HART USB MODEM - 1003824



USB HART modem cable for communication between a PC and HART devices, cable length: 1m.
