

## Electronic housing - HC-ALU 6-161 PROFILE 100 - 2200902

Please be informed that the data shown in this PDF Document is generated from our Online Catalog. Please find the complete data in the user's documentation. Our General Terms of Use for Downloads are valid (<http://phoenixcontact.com/download>)


Profile housing, length: 100 mm, Lower part, color: aluminum color, width: 187 mm, height: 54.6 mm



### Your advantages

- ✔ Item is from the HC-ALU product range
- ✔ Aluminum press-drawn section
- ✔ Available in lengths from 100 mm ... 1000 mm, can be individually cut to any length
- ✔ Available in overall widths 53.5 mm ... 161 mm
- ✔ Degree of protection up to IP65
- ✔ Usable as handheld and wall housing
- ✔ Optional EMC seals available

### Key Commercial Data

Packing unit	1 pc
GTIN	 4 046356 715843
GTIN	4046356715843
Weight per Piece (excluding packing)	413.900 g
Custom tariff number	76042100
Country of origin	Hungary
Note	Made to Order (non-returnable)

### Technical data

#### General

Housing type	Profile housing
Housing material	Aluminum
Color (RAL)	aluminum color

#### Ambient conditions

Ambient temperature (operation)	-40 °C ... 85 °C
---------------------------------	------------------

## Electronic housing - HC-ALU 6-161 PROFILE 100 - 2200902

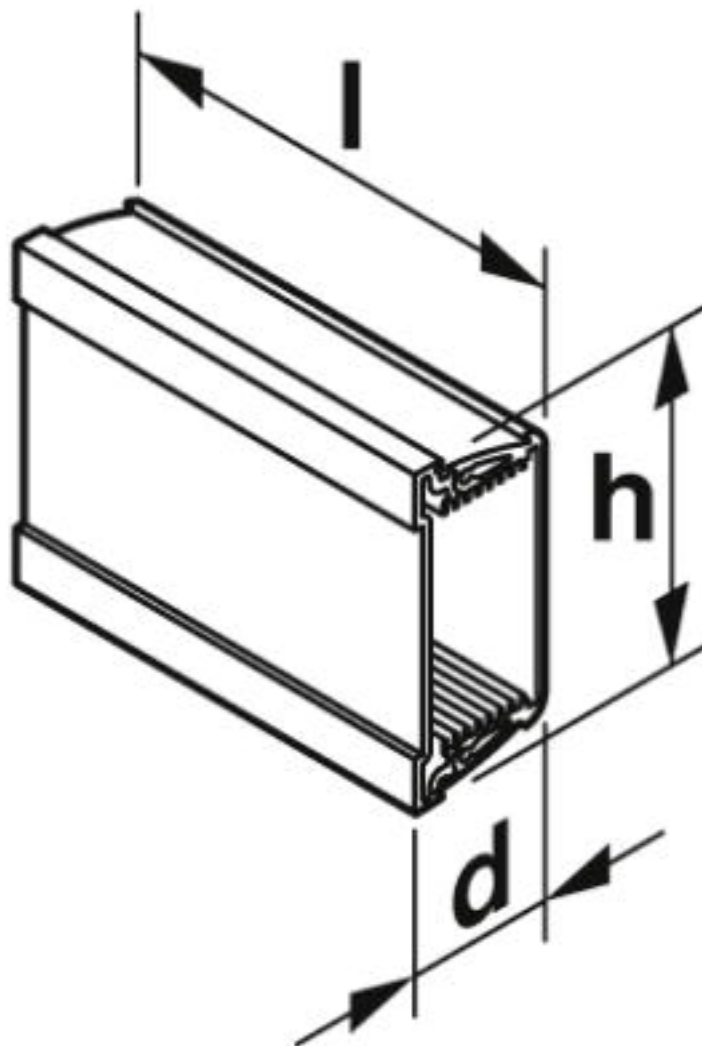
### Technical data

#### Dimensions

Length	100 mm
Height	54.6 mm
Width	187 mm
Depth	161 mm

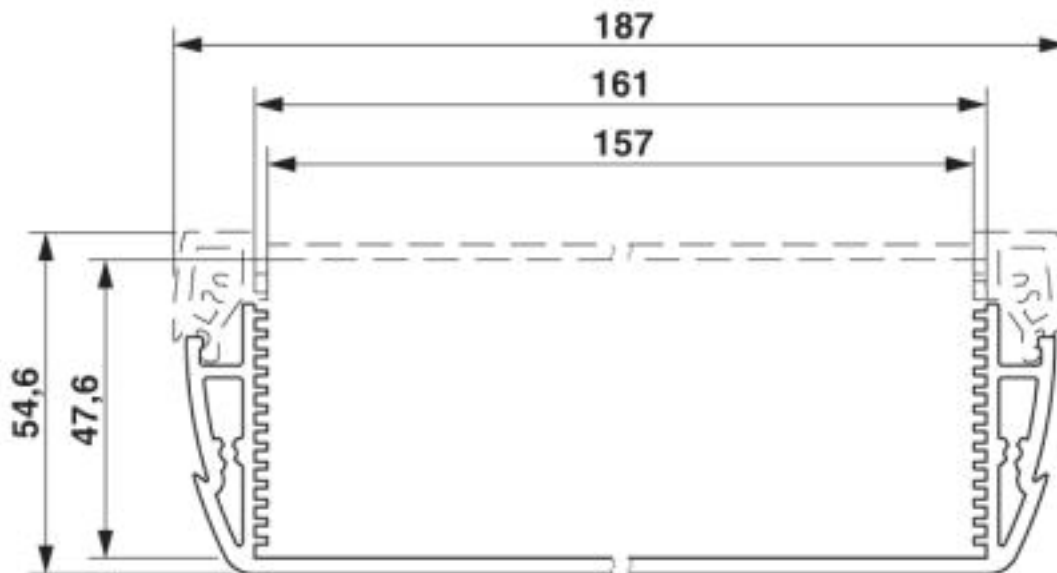
### Drawings

Dimensional drawing



# Electronic housing - HC-ALU 6-161 PROFILE 100 - 2200902

Dimensional drawing



## Classifications

### eCl@ss

eCl@ss 10.0.1	27182701
eCl@ss 4.0	27180400
eCl@ss 4.1	27180400
eCl@ss 5.0	27180500
eCl@ss 5.1	27180500
eCl@ss 6.0	27182000
eCl@ss 7.0	27182701
eCl@ss 8.0	27182701
eCl@ss 9.0	27182701

### ETIM

ETIM 3.0	EC001031
ETIM 4.0	EC000721
ETIM 5.0	EC002779
ETIM 6.0	EC002779
ETIM 7.0	EC002779

### UNSPSC

UNSPSC 6.01	31261501
UNSPSC 7.0901	31261501
UNSPSC 11	31261501
UNSPSC 12.01	31261501
UNSPSC 13.2	31261501

# Electronic housing - HC-ALU 6-161 PROFILE 100 - 2200902

## Classifications

### UNSPSC

UNSPSC 18.0	31261501
UNSPSC 19.0	31261501
UNSPSC 20.0	31261501
UNSPSC 21.0	31261501

## Accessories

### Accessories

#### Mounting material

Mounting material - HC-ALU 6 DECO 100 GY - 2200914



Decorative strip for HC-ALU panel mounting base

Mounting material - HC-ALU 6 MOUNT 100 GY - 2200911



Mounting foot for panel mounting the HC-ALU panel mounting base

#### Seal

Seal - HC-ALU 6-161 SEAL EMC - 2200910



EMC seal for HC-ALU panel mounting base

#### Tool set

Tool set - SF-M SET - 1212543



Bit screwdriver set with quick-action chuck, 89 mm long slotted/crosshead (PZ and PH)/hex/Torx® bits, 17-part, in folding belt pouch, contents: PH 1,2,3 x 89; PZ 1,2,3 x 89; SL 1.5 x 5.5 x 89; TX 10-30 x 89; SW 3,4,5,6 x 89

## Electronic housing - HC-ALU 6-161 PROFILE 100 - 2200902

### Accessories

Tool set - SF-TXH SET - 1212538



Screwdriver set, Torx<sup>®</sup> with drill bit, 6-part, incl. rack, contents: TX 8 x 60; TX 10 x 80; TX 15 x 80; TX 20 x 100; TX 25 x 100; TX 30 x 115

---

### Necessary add-on products

End cover - HC-ALU 6-161 COVER GY - 2200906



Profile housing, Side part, color: gray, width: 190.4 mm, height: 58 mm