

# Input/output module - IOA FEED-THRU/EX - 2906598

Please be informed that the data shown in this PDF Document is generated from our Online Catalog. Please find the complete data in the user's documentation. Our General Terms of Use for Downloads are valid (<http://phoenixcontact.com/download>)




VIP field termination assemblies (FTA) with input/output accessories (IOA) provide universal channel configuration for applications seeking to evolve from a traditional fixed I/O approach. Direct feed through of field signals, 30 V, 1 A maximum.

## Your advantages

- Two-stage progressive release



## Key Commercial Data

Packing unit	1 pc
GTIN	 4 055626 171784
GTIN	4055626171784
Weight per Piece (excluding packing)	53.200 g
Custom tariff number	85369010
Country of origin	United States
Note	Made to Order (non-returnable)

## Technical data

### Dimensions

Width	10.3 mm
Height	64.2 mm
Depth	72.9 mm

### Ambient conditions

Ambient temperature (operation)	-40 °C ... 75 °C
Ambient temperature (storage/transport)	-40 °C ... 75 °C
Permissible humidity (operation)	0 % ... 95 % (non-condensing)
Degree of protection	IP20

### General

Nominal voltage $U_N$	24 V DC
-----------------------	---------

# Input/output module - IOA FEED-THRU/EX - 2906598

## Technical data

### General

Max. operating voltage $U_{max}$	30 V
Max. operating voltage	30 V
Max. perm. current (per branch)	1 A
Max. permissible current	1 A
Number of positions	1
Status display	No
Mounting position	any

### Safety data

Input voltage $U_i$	30 V
Input current $I_i$	1 A
Inductance $L_i$	0 mH
Capacitance $C_i$	0 $\mu$ F
Max. output voltage $U_o$	$U_i$
Max. output current $I_o$	$I_i$
Max. output power $P_o$	$P_i$
ATEX	Sira 16ATEX4260X; Ex II 3G Ex nA ic IIC T4 Gc; Ex nA IIC T4 Gc
IECEX	IECEX SIR 16.0088X Ex nA ic IIC T4 Gc; Ex nA IIC T4 Gc
FM approval	Class I, Zone 2, AEx nA ic IIC T4 Gc; AEx nA IIC T4 Gc Nonincendive: Class I, Div. 2, Groups A, B, C, D T4 With connection to Class I, II, and III, Div. 2, Groups A, B, C, D, E, F, G

### Connection data

Connection name	Control circuits
Connection method	Pin strip
Number of connections	1
Number of positions	13

### Standards and Regulations

Standards/regulations	IEC 60664
	DIN EN 50178
Flammability rating according to UL 94	V0
Conformance	ANSI/ISA 60079-0; 60079-11; 60079-15
	ANSI/IEC 60529
	FM 3600; 3611; 3810
ATEX	Sira 16ATEX4260X; Ex II 3G Ex nA ic IIC T4 Gc; Ex nA IIC T4 Gc
IECEX	IECEX SIR 16.0088X Ex nA ic IIC T4 Gc; Ex nA IIC T4 Gc

### Environmental Product Compliance

China RoHS	Environmentally Friendly Use Period = 50
------------	--

# Input/output module - IOA FEED-THRU/EX - 2906598

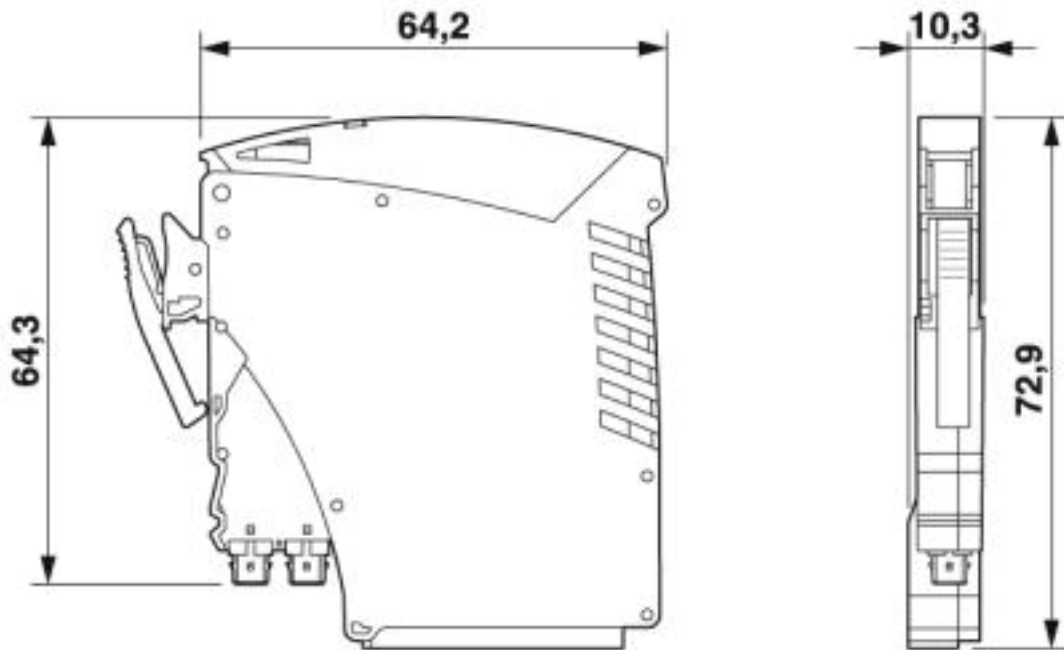
## Technical data

### Environmental Product Compliance

	For details about hazardous substances go to tab "Downloads", Category "Manufacturer's declaration"
--	---

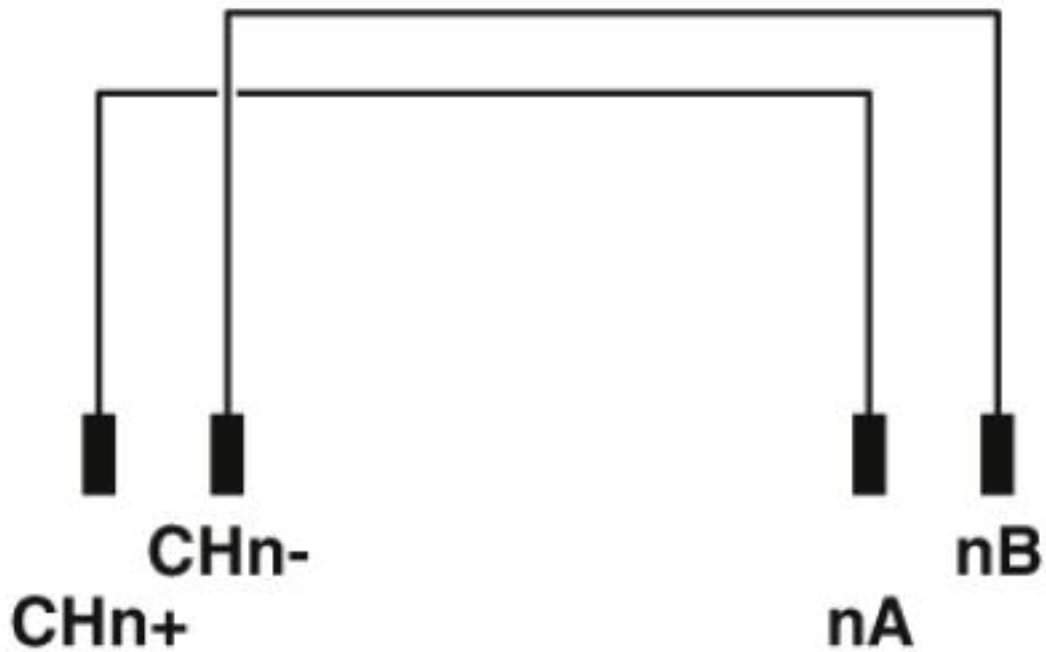
## Drawings

Dimensional drawing



# Input/output module - IOA FEED-THRU/EX - 2906598

Circuit diagram



## Classifications

eCl@ss

eCl@ss 4.0	27250313
eCl@ss 4.1	27250313
eCl@ss 5.0	27250313
eCl@ss 5.1	27250313
eCl@ss 6.0	27242600
eCl@ss 7.0	27141152
eCl@ss 8.0	27141152
eCl@ss 9.0	27141152

ETIM

ETIM 4.0	EC002780
ETIM 5.0	EC002780
ETIM 6.0	EC002780
ETIM 7.0	EC002780

## Approvals

Approvals

Approvals

Functional Safety

# Input/output module - IOA FEED-THRU/EX - 2906598

## Approvals

---

### Ex Approvals

IECEEx / ATEX / FM approved / UL Listed / cUL Listed / CSA / CSAus / cULus Listed / cCSAus

---

### Approval details

Functional Safety	PHO 1609035 C001
-------------------	------------------

## Accessories

### Necessary add-on products

Base module - VIP/S/MC/BASE 1-8/L/EX - 2906596



VIP base module with input/output accessories (IOA) provide universal channel configuration. This module has markings for channels 1-8.

---

Base module - VIP/S/MC/BASE 9-16/L/EX - 2906630



VIP base module with input/output accessories (IOA) provide universal channel configuration. This module has markings for channels 9-16.

---

Base module - VIP/S/MC/BASE 17-24/L/EX - 2907024



VIP base module with input/output accessories (IOA) provide universal channel configuration. This module has markings for channels 17-24.

---

Base module - VIP/S/MC/BASE 25-32/L/EX - 2907025



VIP base module with input/output accessories (IOA) provide universal channel configuration. This module has markings for channels 25-32.

---

## Input/output module - IOA FEED-THRU/EX - 2906598

### Accessories

Base module - VIP/S/MC/BASE 1-8/L/C/EX - 2907186



VIP base module with input/output accessories (IOA) provide universal channel configuration. This module has markings for channels 1-8 and includes conformal coating of the printed circuit board assembly.

---

Base module - VIP/S/MC/BASE 9-16/L/C/EX - 2907187



VIP base module with input/output accessories (IOA) provide universal channel configuration. This module has markings for channels 9-16 and includes conformal coating of the printed circuit board assembly.

---

Base module - VIP/S/MC/BASE 17-24/L/C/EX - 2907209



VIP base module with input/output accessories (IOA) provide universal channel configuration. This module has markings for channels 17-24 and includes conformal coating of the printed circuit board assembly.

---

Base module - VIP/S/MC/BASE 25-32/L/C/EX - 2907210



VIP base module with input/output accessories (IOA) provide universal channel configuration. This module has markings for channels 25-32 and includes conformal coating of the printed circuit board assembly.

---

Base module - VIP/S/D25M/BASE 1-8/L/C/EX - 2906595



VIP base module with input/output accessories (IOA) provide universal channel configuration. This module with the D-SUB 25 connector is pin compatible to the Foxboro I/A series DCS.

---

## Input/output module - IOA FEED-THRU/EX - 2906598

### Accessories

Base module - VIP/MSTB/D50M/BASE/16CH/CX/EX - 2908788



VIP base module with input/output accessories (IOA) provide universal channel configuration. This module with the D-SUB 50 connector is pin compatible to the Tricon CX series DCS.