

Front connection module - ME PLC 40 CT10 GY7035 - 2201492

Please be informed that the data shown in this PDF Document is generated from our Online Catalog. Please find the complete data in the user's documentation. Our General Terms of Use for Downloads are valid (<http://phoenixcontact.com/download>)




Connection technology carrier, fully assembled with FKCN 1 x 10-pos., cover and release lever, incl. fitted cover; corresponding header: MSTBA 2,5/10-G (1757543)

Your advantages

- ✔ Item is from the ME PLC product range
- ✔ Tool-free mounting
- ✔ Available in 40 mm overall width
- ✔ Inflammability class V0 according to UL 94
- ✔ Variety of connection technologies
- ✔ Can be mounted on the DIN rail
- ✔ Optional with bus connector for DIN rail mounting

Key Commercial Data

Packing unit	10 pc
Minimum order quantity	10 pc
GTIN	 4 046356 838603
GTIN	4046356838603
Weight per Piece (excluding packing)	91.810 g
Custom tariff number	85366990
Country of origin	Germany

Technical data

General

Housing type	Component housing
Housing material	Polyamide
Color (RAL)	light gray

Ambient conditions

Ambient temperature (operation)	-40 °C ... 105 °C (depending on power dissipation)
---------------------------------	--

Front connection module - ME PLC 40 CT10 GY7035 - 2201492

Technical data

Dimensions

Width	40 mm
Depth	44.4 mm
Height	128 mm

Standards and Regulations

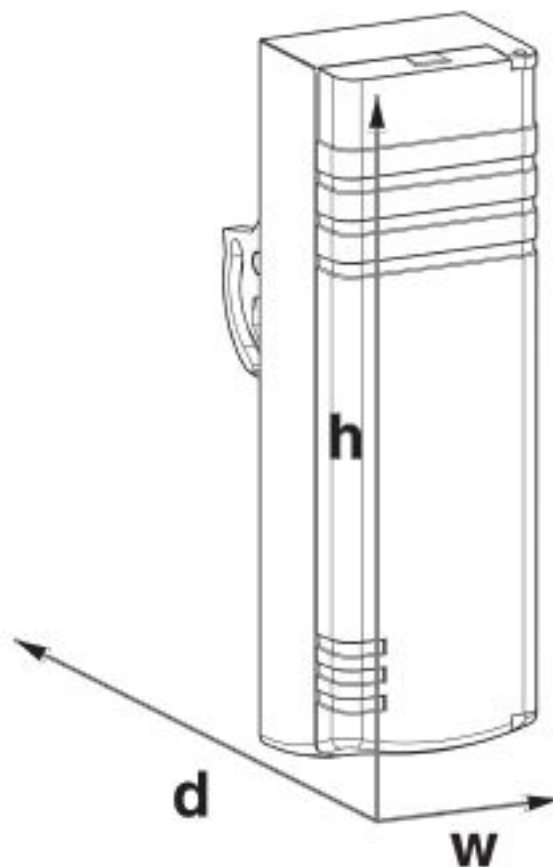
Flammability rating according to UL 94	V0
--	----

Environmental Product Compliance

China RoHS	Environmentally friendly use period: unlimited = EFUP-e
	No hazardous substances above threshold values

Drawings

Dimensional drawing



Front connection module - ME PLC 40 CT10 GY7035 - 2201492

Classifications

eCl@ss

eCl@ss 4.0	27180400
eCl@ss 4.1	27180400
eCl@ss 5.0	27180500
eCl@ss 5.1	27180500
eCl@ss 6.0	27180800
eCl@ss 7.0	27182702
eCl@ss 8.0	27182702
eCl@ss 9.0	27182702

ETIM

ETIM 3.0	EC001031
ETIM 4.0	EC001031
ETIM 5.0	EC001031
ETIM 6.0	EC001031
ETIM 7.0	EC001031

UNSPSC

UNSPSC 6.01	31261501
UNSPSC 7.0901	31261501
UNSPSC 11	31261501
UNSPSC 12.01	31261501
UNSPSC 13.2	31261501
UNSPSC 18.0	31261501
UNSPSC 19.0	31261501
UNSPSC 20.0	31261501
UNSPSC 21.0	31261501

Approvals

Approvals

Approvals

EAC

Ex Approvals

Approval details

Front connection module - ME PLC 40 CT10 GY7035 - 2201492

Approvals

EAC		B.01742
-----	---	---------

Accessories

Necessary add-on products

Components of electronic housing - ME PLC 40 B BUS 50/40 YE - 1001035

Electronic housing - ME PLC 40 B BUS 50/40 BK - 2202719

Component housing, Lower part, color: black, width: 40 mm
