

Configuration memory - RAD-CONF-RF3 - 2902814

Please be informed that the data shown in this PDF Document is generated from our Online Catalog. Please find the complete data in the user's documentation. Our General Terms of Use for Downloads are valid (<http://phoenixcontact.com/download>)




Radioline - configuration stick for easy and safe network addressing for the 2.4 GHz wireless module (RAD-2400-...), unique network ID, RF band 3

Your advantages

- Easy, unique, and safe network addressing
- Parallel operation of multiple networks (using different RF bands)

Key Commercial Data

Packing unit	1 pc
GTIN	 4 046356 681568
GTIN	4046356681568
Weight per Piece (excluding packing)	5.400 g
Custom tariff number	85235110
Country of origin	Germany

Technical data

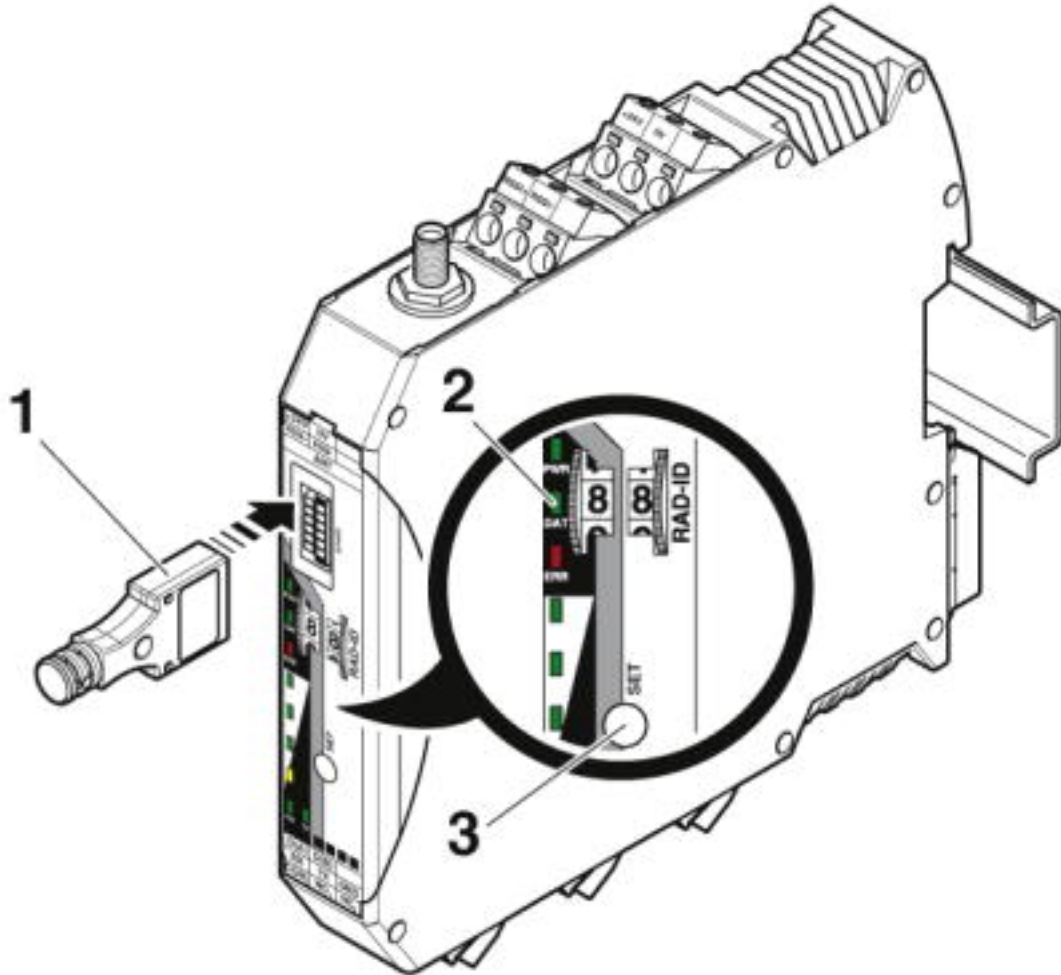
Environmental Product Compliance

China RoHS	Environmentally Friendly Use Period = 50
	For details about hazardous substances go to tab "Downloads", Category "Manufacturer's declaration"

Drawings

Configuration memory - RAD-CONF-RF3 - 2902814

Schematic diagram



Configuration via CONFSTICK

Classifications

eCl@ss

eCl@ss 4.0	27230200
eCl@ss 4.1	27250300
eCl@ss 5.0	27242200
eCl@ss 5.1	27242200
eCl@ss 6.0	27242200
eCl@ss 7.0	27242212
eCl@ss 8.0	27242212
eCl@ss 9.0	27242212

ETIM

ETIM 3.0	EC001423
----------	----------

Configuration memory - RAD-CONF-RF3 - 2902814

Classifications

ETIM

ETIM 4.0	EC000310
ETIM 5.0	EC000192
ETIM 6.0	EC000192
ETIM 7.0	EC000192

UNSPSC

UNSPSC 6.01	30211506
UNSPSC 7.0901	43223108
UNSPSC 11	39121008
UNSPSC 12.01	43223108
UNSPSC 13.2	32101606
UNSPSC 18.0	32101606
UNSPSC 19.0	32101606
UNSPSC 20.0	32101606
UNSPSC 21.0	32101606