

Side element - UM108-SEFE/R-A60 - 2959706

Please be informed that the data shown in this PDF Document is generated from our Online Catalog. Please find the complete data in the user's documentation. Our General Terms of Use for Downloads are valid (<http://phoenixcontact.com/download>)



Side element, with foot, tall version, right-hand, for 60 mm wide U-shaped cover.

RoHS

Key Commercial Data

Packing unit	10 pc
Minimum order quantity	10 pc
GTIN	 4 017918 100988
GTIN	4017918100988
Weight per Piece (excluding packing)	17.100 g
Custom tariff number	85389099
Country of origin	Poland

Technical data

Product properties

Brief article description	Side element
Type	UM108-SEFE/R-A60
Order No.	2959706
Housing type	Press-drawn section housings
Type	Lateral element (right)

Dimensions

Profile PCB width (selectable):	108 mm [UM108]
---------------------------------	----------------

Material specifications

Housing material	PA
Color (RAL)	green
Flammability rating according to UL 94	V0

Packaging specifications

Side element - UM108-SEFE/R-A60 - 2959706

Technical data

Packaging specifications

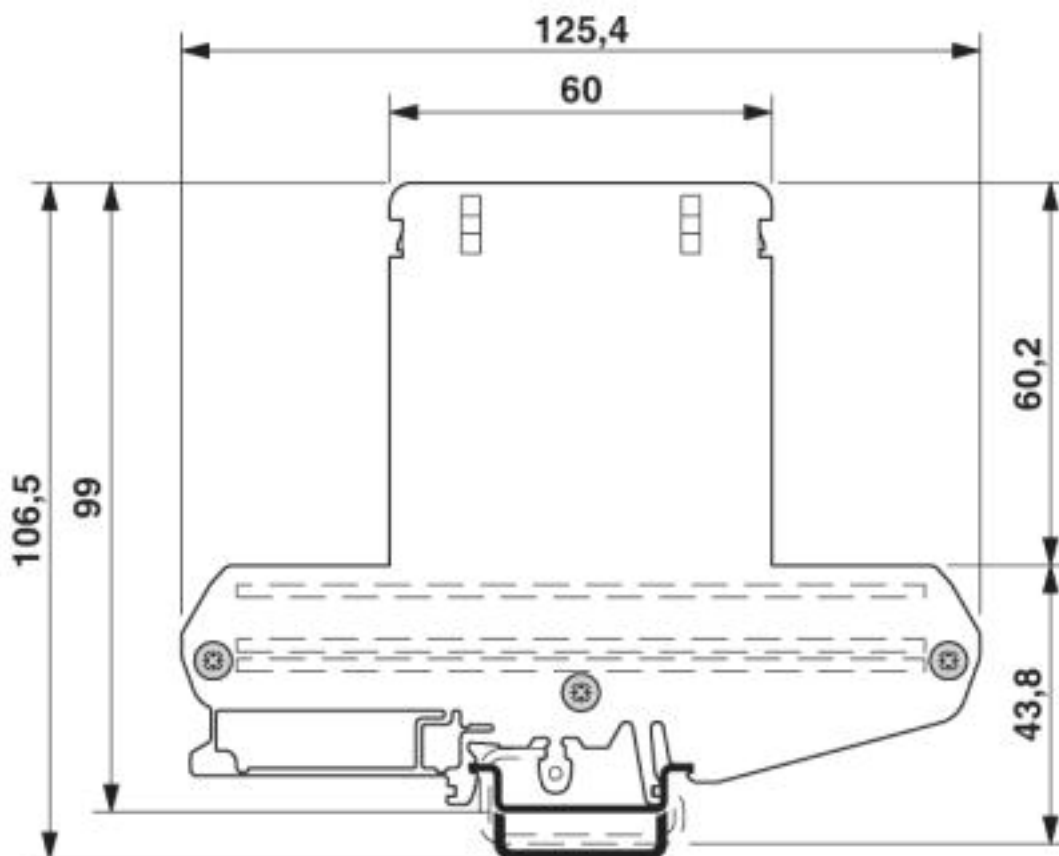
Pieces per package	10
Denomination packing units	Pcs.

Environmental Product Compliance

China RoHS	Environmentally friendly use period: unlimited = EFUP-e
	No hazardous substances above threshold values

Drawings

Dimensional drawing



Classifications

eCl@ss

eCl@ss 10.0.1	27182701
eCl@ss 4.0	27180400
eCl@ss 4.1	27180400
eCl@ss 5.0	27180500
eCl@ss 5.1	27180500

Side element - UM108-SEFE/R-A60 - 2959706

Classifications

eCl@ss

eCl@ss 6.0	27180800
eCl@ss 7.0	27182701
eCl@ss 8.0	27182701
eCl@ss 9.0	27182701

ETIM

ETIM 2.0	EC001031
ETIM 3.0	EC001031
ETIM 4.0	EC001031
ETIM 5.0	EC002779
ETIM 6.0	EC002779
ETIM 7.0	EC002779

UNSPSC

UNSPSC 6.01	31261501
UNSPSC 7.0901	31261501
UNSPSC 11	31261501
UNSPSC 12.01	31261501
UNSPSC 13.2	31261501
UNSPSC 18.0	31261501
UNSPSC 19.0	31261501
UNSPSC 20.0	31261501
UNSPSC 21.0	31261501

Approvals

Approvals

Approvals

UL Recognized / EAC

Ex Approvals

Approval details

UL Recognized		http://database.ul.com/cgi-bin/XYV/template/LISEXT/1FRAME/index.htm	FILE E 240868
---------------	--	---	---------------

Side element - UM108-SEFE/R-A60 - 2959706

Approvals

EAC



B.01742