

## Active module - UM-2KS50/32R/SI/J/ADV551/YCS - 2908400


Please be informed that the data shown in this PDF Document is generated from our Online Catalog. Please find the complete data in the user's documentation. Our General Terms of Use for Downloads are valid (<http://phoenixcontact.com/download>)



32-channel, 230 V AC/DC output relay module with screw connection and redundant, 50-pos. system connection, fuse and jumper in every output circuit, for Yokogawa ADV551 and ADV561



### Key Commercial Data

Packing unit	1 pc
GTIN	 4 055626 297712
GTIN	4055626297712
Weight per Piece (excluding packing)	826.000 g
Custom tariff number	85369010
Country of origin	Germany
Note	Made to Order (non-returnable)

### Technical data

#### Note

Utilization restriction	EMC: class A product, see manufacturer's declaration in the download area
-------------------------	---

#### Dimensions

Width	271.5 mm
Height	127.5 mm
Depth	60.5 mm

#### Ambient conditions

Ambient temperature (operation)	-20 °C ... 50 °C
Ambient temperature (storage/transport)	-20 °C ... 80 °C
Permissible humidity (operation)	10 % ... 95 % (non-condensing)
Degree of protection	IP20

#### Input data

## Active module - UM-2KS50/32R/SI/J/ADV551/YCS - 2908400

### Technical data

#### Input data

Nominal input voltage $U_N$	24 V DC
Input voltage range in reference to $U_N$	0.8 ... 1.2
Typical input current at $U_N$	7 mA
Typical response time	5 ms
Typical release time	6 ms
Type of protection	Free-wheeling diode
Protective circuit/component	Damping diode
Status display/channel	green LED

#### Output data

Contact type	1 N/O contact
Contact material	AgSnO
Maximum switching voltage	250 V AC/DC
Minimum switching voltage	5 V (100 mA)
Limiting continuous current	2 A (at 23 °C, protected by fuse (2 AT)) 1.7 A (at 50 °C, protected by fuse (2 AT))
Min. switching current	1 mA (24 V)
Interrupting rating (ohmic load) max.	48 W (24 V DC) 20 W (48 V DC) 18 W (60 V DC) 23 W (110 V DC) 40 W (220 V DC) 500 VA (250 V AC)

#### General

Mechanical service life	$2 \times 10^7$ cycles
Operating mode	100% operating factor
Mounting position	any
Assembly instructions	In rows with zero spacing
Color	green

#### Connection data

Connection name	Controller level
Connection method	Yokogawa KS-compatible
Number of connections	1
Number of positions	50

#### Connection data 2

Connection name	Field level
Connection method	Screw connection
Number of connections	32
Number of positions	2
Conductor cross section solid	0.2 mm <sup>2</sup> ... 4 mm <sup>2</sup>

## Active module - UM-2KS50/32R/SI/J/ADV551/YCS - 2908400

### Technical data

#### Connection data 2

Conductor cross section flexible	0.2 mm <sup>2</sup> ... 2.5 mm <sup>2</sup>
Conductor cross section AWG	24 ... 12

#### Connection data 3

Connection name	Supply
Connection method	Screw connection
Number of connections	4
Number of positions	2
Conductor cross section solid	0.2 mm <sup>2</sup> ... 4 mm <sup>2</sup>
Conductor cross section flexible	0.2 mm <sup>2</sup> ... 2.5 mm <sup>2</sup>
Conductor cross section AWG	24 ... 12

#### Supported controller

Controller	YOKOGAWA CENTUM VP
- suitable I/O card	ADV551
	ADV561
	NFDV551
	NFDV561

#### Standards and Regulations

Standards/regulations	DIN EN 50178
	IEC 60664-1
Rated insulation voltage	260 V AC
Rated surge voltage	2.3 kV (Functional insulation)
Pollution degree	2
Overvoltage category	II

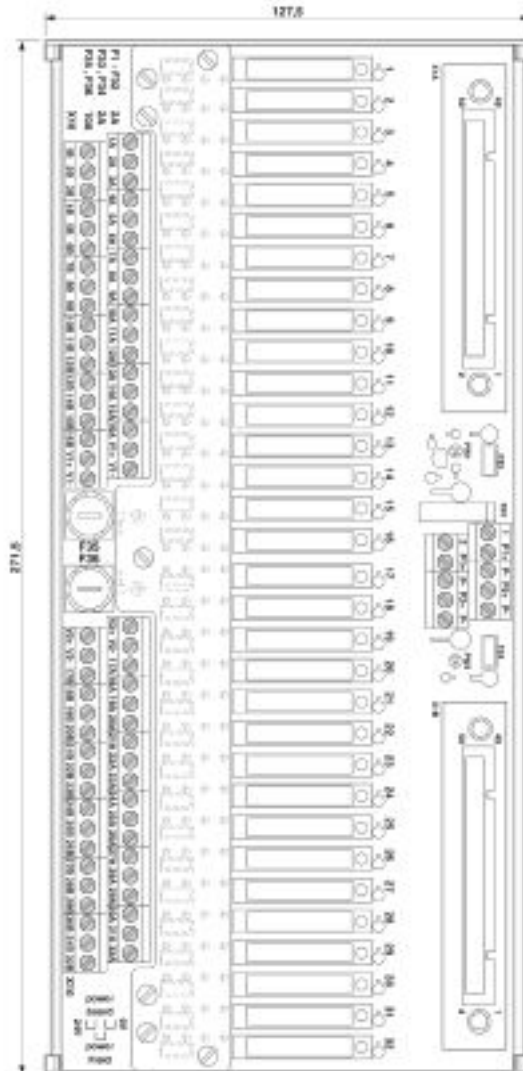
#### Environmental Product Compliance

REACH SVHC	Lead 7439-92-1
China RoHS	Environmentally Friendly Use Period = 50
	For details about hazardous substances go to tab "Downloads", Category "Manufacturer's declaration"

### Drawings

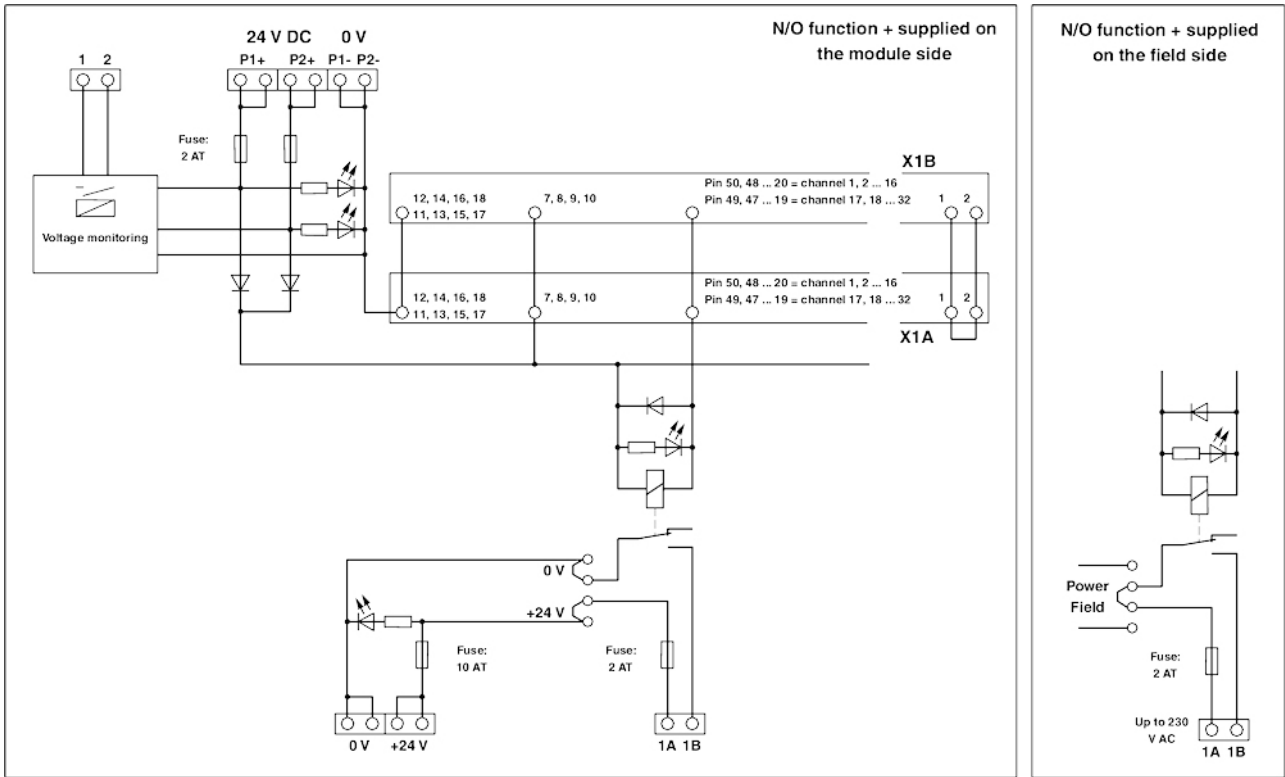
# Active module - UM-2KS50/32R/SI/J/ADV551/YCS - 2908400

Dimensional drawing



# Active module - UM-2KS50/32R/SI/J/ADV551/YCS - 2908400

Circuit diagram



# Active module - UM-2KS50/32R/SI/J/ADV551/YCS - 2908400

## Classifications

### eCl@ss

eCl@ss 4.0	27250313
eCl@ss 4.1	27250313
eCl@ss 5.0	27250313
eCl@ss 5.1	27250313
eCl@ss 7.0	27141152
eCl@ss 8.0	27141152
eCl@ss 9.0	27141152

### ETIM

ETIM 5.0	EC002780
ETIM 6.0	EC002780
ETIM 7.0	EC002780

### UNSPSC

UNSPSC 13.2	39121432
UNSPSC 18.0	39121432
UNSPSC 19.0	39121432
UNSPSC 20.0	39121432
UNSPSC 21.0	39121432

## Approvals

### Approvals

---

Approvals

EAC

---

Ex Approvals

---

### Approval details

EAC		RU C- DE.A*30.B.01742
-----	--	--------------------------

## Accessories

### Spare parts

## Active module - UM-2KS50/32R/SI/J/ADV551/YCS - 2908400

### Accessories

Single relay - REL-MR- 24DC/21 - 2961105



Plug-in miniature power relay, with power contact, 1 PDT, input voltage 24 V DC

---

Phoenix Contact 2020 © - all rights reserved  
<http://www.phoenixcontact.com>