

## Coupling - VS-MP-PPC/PPC-1G - 1403685

Please be informed that the data shown in this PDF Document is generated from our Online Catalog. Please find the complete data in the user's documentation. Our General Terms of Use for Downloads are valid (<http://phoenixcontact.com/download>)



Multi-port data coupling: for passive PROFINET cabling to robots, including mounting foot

### Product Description


Push/pull data coupling; version 14

### Your advantages

- Permanent mounting is also an option
- robust design
- Including covers to protect against environmental influences



### Key Commercial Data

Packing unit	1 pc
GTIN	 4 046356 664349
GTIN	4046356664349
Weight per Piece (excluding packing)	247.000 g
Custom tariff number	85366990
Country of origin	Germany

### Technical data

#### Ambient conditions

Ambient temperature (operation)	-40 °C ... 70 °C
Ambient temperature (storage/transport)	-40 °C ... 70 °C

#### General data

Number of positions	8
Rated voltage (III/3)	72 V (DC)
Contact material	Phosphor bronze
Housing material	Aluminum press-drawn section / die-cast zinc

# Coupling - VS-MP-PPC/PPC-1G - 1403685

## Technical data

### Standards and Regulations

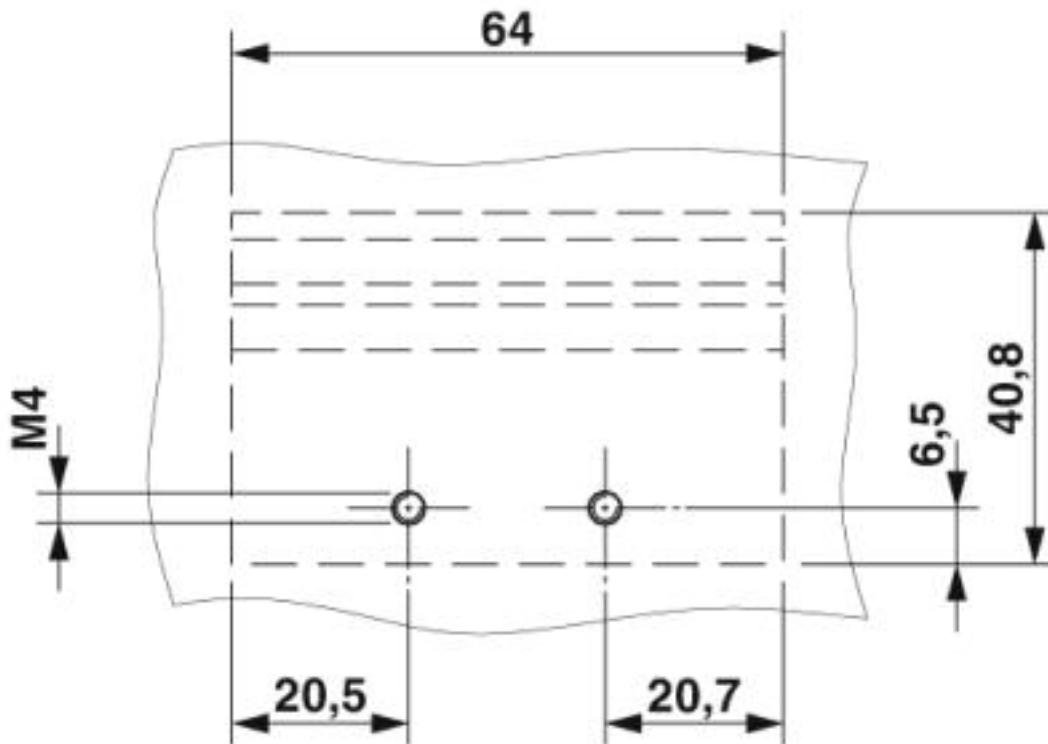
Flammability rating according to UL 94	V0
--	----

### Environmental Product Compliance

	Lead 7439-92-1
China RoHS	Environmentally Friendly Use Period = 50
	For details about hazardous substances go to tab "Downloads", Category "Manufacturer's declaration"

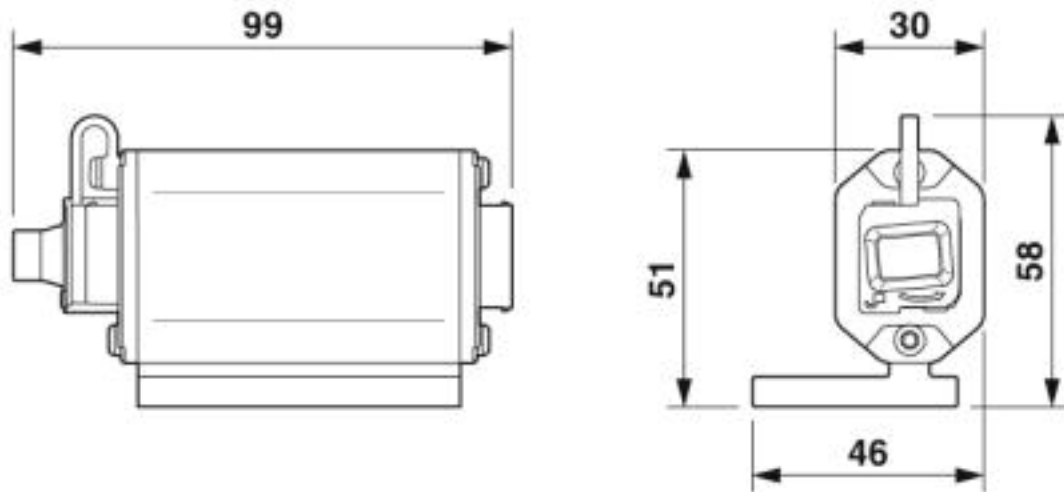
## Drawings

Drilling diagram



# Coupling - VS-MP-PPC/PPC-1G - 1403685

Dimensional drawing



Dimensional drawing

## Classifications

### eCl@ss

eCl@ss 4.0	27260700
eCl@ss 4.1	27260700
eCl@ss 5.0	27260700
eCl@ss 5.1	27260700
eCl@ss 6.0	27260700
eCl@ss 7.0	27440101
eCl@ss 8.0	27440101
eCl@ss 9.0	27440101

### ETIM

ETIM 3.0	EC000830
ETIM 4.0	EC001134
ETIM 5.0	EC002636
ETIM 6.0	EC002636
ETIM 7.0	EC002636

### UNSPSC

UNSPSC 6.01	26121616
UNSPSC 7.0901	26121616
UNSPSC 11	26121604
UNSPSC 12.01	31261501
UNSPSC 13.2	43222604
UNSPSC 18.0	39121409
UNSPSC 19.0	39121409

# Coupling - VS-MP-PPC/PPC-1G - 1403685

## Classifications

### UNSPSC

UNSPSC 20.0	39121409
UNSPSC 21.0	39121409

## Approvals

### Approvals

---

### Approvals


EAC

---

### Ex Approvals

---

## Approval details

EAC		B.01687
-----	---	---------

---