

Device coupler - FB-ISO - 2316064

Please be informed that the data shown in this PDF Document is generated from our Online Catalog. Please find the complete data in the user's documentation. Our General Terms of Use for Downloads are valid (<http://phoenixcontact.com/download>)




Device coupler for Foundation Fieldbus and PROFIBUS PA. Provides intrinsically safe FISCO connection to a single end device.

Your advantages

- Field barrier



Key Commercial Data

Packing unit	1 pc
GTIN	 4 046356 466141
GTIN	4046356466141
Weight per Piece (excluding packing)	132.100 g
Custom tariff number	85389099
Country of origin	United States

Technical data

Note

Utilization restriction	EMC: class A product, see manufacturer's declaration in the download area
-------------------------	---

Dimensions

Width	17.5 mm
Height	89.7 mm
Depth	70.4 mm

Ambient conditions

Ambient temperature (operation)	-40 °C ... 60 °C
Ambient temperature (storage/transport)	-40 °C ... 85 °C
Permissible humidity (operation)	10 % ... 95 % (non-condensing)
Degree of protection	IP20

Device coupler - FB-ISO - 2316064

Technical data

General

Electrical isolation	500 V AC (between input and output, routine test)
Mounting position	On horizontal DIN rail NS 35 in acc. with EN 60715
Net weight	132.1 g
Color	green
Conformance	CE-compliant, additionally EN 61326

Power supply

Supply voltage range	17 V DC ... 32 V DC (input on trunk line side)
Typical current consumption	10 mA

Interfaces

Interface 1	Foundation Fieldbus and PROFIBUS PA Segment
Connection method	Pluggable COMBICON screw connection for each spur
Conductor cross section solid min.	0.2 mm ²
Conductor cross section solid max.	2.5 mm ²
Conductor cross section flexible min.	0.2 mm ²
Conductor cross section flexible max.	2.5 mm ²
Conductor cross section AWG min.	24
Conductor cross section AWG max.	12
Output nominal voltage	≥ 10 V (each spur)
Output current	15 mA (each spur, adjustable via selector switch)
	25 mA (each spur, adjustable via selector switch)
	35 mA (each spur, adjustable via selector switch)
Maximum output current	22 mA (each spur, adjustable via selector switch)
	33 mA (each spur, adjustable via selector switch)
	45 mA (each spur, adjustable via selector switch)
Inductance L _i	10 µH

Safety data

Input voltage U _i	32 V
Group	IIC
Max. external capacitance C _o	0.36 µF
Group	IIB
Max. external capacitance C _o	2.11 µF
Group	IIB
Max. external inductivity L _o	660 µH
Group	IIC
Max. external inductivity L _o	220 µH
ATEX	II 3(3) G Ex nA [nL Gc] IIC T4 Gc, FNICO power supply (spur)
	II 3(1) GD Ex nA [ja Ga Da] IIC T4 Gc, FISCO power supply (spur)
IECEX	Ex nA [nL Gc] IIC T4 Gc, FNICO power supply (spur)
	Ex nA [ja Ga Da] IIC T4 Gc, FISCO power supply (spur)

Device coupler - FB-ISO - 2316064

Technical data

Safety data

CSA, USA/Canada	Ex nA [ia] IIC T4
-----------------	-------------------

Standards and Regulations

Type of test	Corrosive resistance in acc. to ANSI-ISA 71.04-1985 - Severity level G3
Standards/regulations	IEC 60529, IEC 61158-2
	NE21
	EN 61326, EN 60068-2-27, EN 60068-2-6
	VI-7-2 category C, EMC1
Electrical isolation	500 V AC (between input and output, routine test)
Shock	15g, 11 ms
Vibration (operation)	1g, 10 Hz ... 150 Hz
Conformance	CE-compliant, additionally EN 61326
Group	IIC
	IIB
	IIB
	IIC
ATEX	II 3(3) G Ex nA [nL Gc] IIC T4 Gc, FNICO power supply (spur)
	II 3(1) GD Ex nA [ia Ga Da] IIC T4 Gc, FISCO power supply (spur)
IECEX	Ex nA [nL Gc] IIC T4 Gc, FNICO power supply (spur)
	Ex nA [ia Ga Da] IIC T4 Gc, FISCO power supply (spur)
CSA, USA/Canada	Ex nA [ia] IIC T4

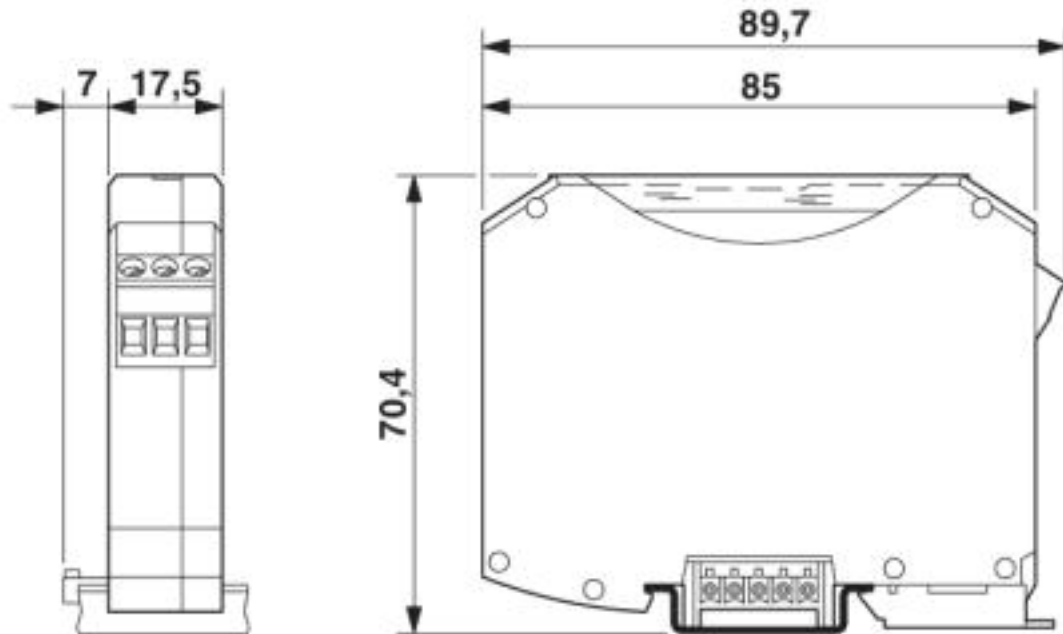
Environmental Product Compliance

China RoHS	Environmentally Friendly Use Period = 50
	For details about hazardous substances go to tab "Downloads", Category "Manufacturer's declaration"

Drawings

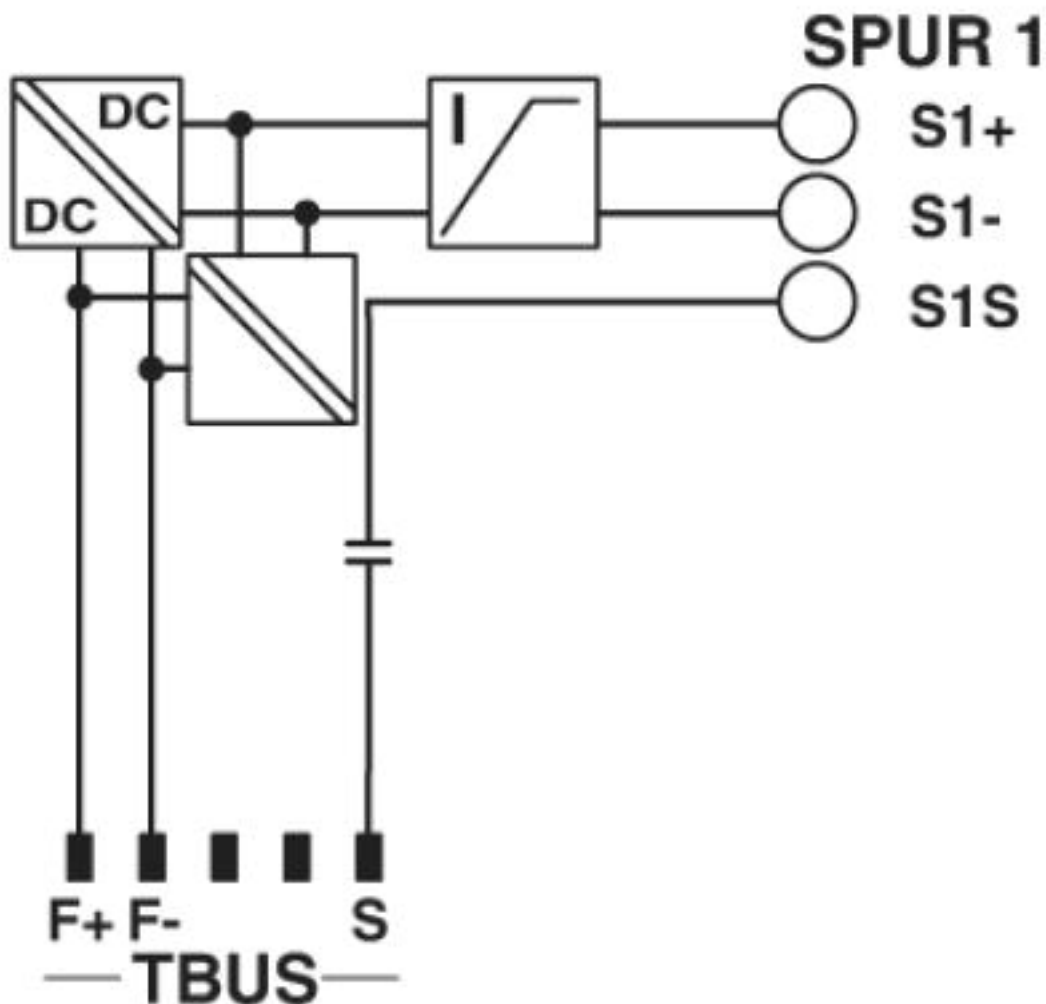
Device coupler - FB-ISO - 2316064

Dimensional drawing



Device coupler - FB-ISO - 2316064

Circuit diagram



Connection diagram: FB-ISO

Classifications

eCl@ss

eCl@ss 4.0	27250200
eCl@ss 4.1	27250200
eCl@ss 5.0	27259200
eCl@ss 5.1	27259200
eCl@ss 6.0	27242600
eCl@ss 7.0	27242610
eCl@ss 8.0	27242610
eCl@ss 9.0	27242610

Device coupler - FB-ISO - 2316064

Classifications

ETIM

ETIM 2.0	EC001423
ETIM 3.0	EC001600
ETIM 4.0	EC001600
ETIM 5.0	EC001600
ETIM 6.0	EC001600
ETIM 7.0	EC001600

UNSPSC

UNSPSC 6.01	30211506
UNSPSC 7.0901	39121008
UNSPSC 11	39121008
UNSPSC 12.01	39121008
UNSPSC 13.2	32151602
UNSPSC 18.0	32151602
UNSPSC 19.0	32151602
UNSPSC 20.0	32151602
UNSPSC 21.0	32151602

Accessories

Accessories

Base element

Surge protection base element - PT 1X2+F-BE - 2856126



Base element for protective plug PT with protective circuit for a 2-core floating signal circuit. Integrated gas arrester as coarse protection between GND and PE. Mounting on NS 35/7.5 und NS 35/15, housing width: 17.5 mm.

Power supply

Power supply - FB-PS-25/0.36A - 2316035



Isolated Foundation Fieldbus Power Supply with integrated Terminator. Multiple single channel modules can be installed using Phoenix Contacts TBUS connector system reducing wiring and installation costs.

Surge protection for measurement and control technology

Device coupler - FB-ISO - 2316064

Accessories

Surge protection plug - PT 1X2-24AC-ST - 2856058



PT protective connector with protective circuit for a 2-wire floating signal circuit. HART-compatible.

Control cabinet - FB- 8-ENCL - 2316093



Enclosure for Foundation Fieldbus and PROFIBUS PA. 8 ports with glands.

Control cabinet - FB-13-ENCL - 2316103



Enclosure for Foundation Fieldbus and PROFIBUS PA. 11 ports with glands and 2 plugged ports.
