

# Input/output module - IOA DI/DO/BFI/DS/1.0A/EX - 2906600

Please be informed that the data shown in this PDF Document is generated from our Online Catalog. Please find the complete data in the user's documentation. Our General Terms of Use for Downloads are valid (<http://phoenixcontact.com/download>)



VIP field termination assemblies (FTA) with input/output accessories (IOA) provide universal channel configuration for applications seeking to evolve from a traditional fixed I/O approach. Digital input and output signals, fused with blown fuse indication, disconnect with test points, 30 V, 1 A maximum.

## Your advantages

- Signal line blown fuse indication
- Two-stage progressive release allowing for voltage checks with field-powered devices
- Channel for marking accessories
- Replaceable TE5-style fusing
- Signal disconnect with test points

## Key Commercial Data

Packing unit	1 pc
GTIN	 4 055626 295268
GTIN	4055626295268
Weight per Piece (excluding packing)	24.100 g
Custom tariff number	85366990
Country of origin	United States
Note	Made to Order (non-returnable)

## Technical data

### Dimensions

Width	10.3 mm
Height	64.2 mm
Depth	72.9 mm

### Ambient conditions

Ambient temperature (operation)	-40 °C ... 75 °C
Ambient temperature (storage/transport)	-40 °C ... 75 °C
Permissible humidity (operation)	0 % ... 95 % (non-condensing)

# Input/output module - IOA DI/DO/BFI/DS/1.0A/EX - 2906600

## Technical data

### Ambient conditions

Degree of protection	IP20
----------------------	------

### General

Nominal voltage $U_N$	24 V DC
Max. operating voltage $U_{max}$	30 V
Max. operating voltage	30 V
Max. perm. current (per branch)	1 A (fuse limited)
Max. permissible current	1 A (fuse limited)
Number of positions	1
Status display	No
Mounting position	any

### Safety data

Input voltage $U_i$	30 V
Input current $I_i$	1 A
Inductance $L_i$	0 mH
Capacitance $C_i$	0 $\mu$ F
Max. output voltage $U_o$	$U_i$
Max. output current $I_o$	$I_i$
Max. output power $P_o$	$P_i$
ATEX	Sira 16ATEX4260X; Ex II 3G Ex nA ic IIC T4 Gc; Ex nA IIC T4 Gc
IECEX	IECEX SIR 16.0088X Ex nA ic IIC T4 Gc; Ex nA IIC T4 Gc
FM approval	Class I, Zone 2, AEx nA ic IIC T4 Gc; AEx nA IIC T4 Gc Nonincendive: Class I, Div. 2, Groups A, B, C, D T4 With connection to Class I, II, and III, Div. 2, Groups A, B, C, D, E, F, G

### Connection data

Connection name	Control circuits
Connection method	Pin strip
Number of connections	1
Number of positions	13

### Standards and Regulations

Standards/regulations	IEC 60664
	DIN EN 50178
Flammability rating according to UL 94	V0
Conformance	ANSI/ISA 60079-0; 60079-11; 60079-15
	ANSI/IEC 60529
	FM 3600; 3611; 3810
ATEX	Sira 16ATEX4260X; Ex II 3G Ex nA ic IIC T4 Gc; Ex nA IIC T4 Gc
IECEX	IECEX SIR 16.0088X Ex nA ic IIC T4 Gc; Ex nA IIC T4 Gc

# Input/output module - IOA DI/DO/BFI/DS/1.0A/EX - 2906600

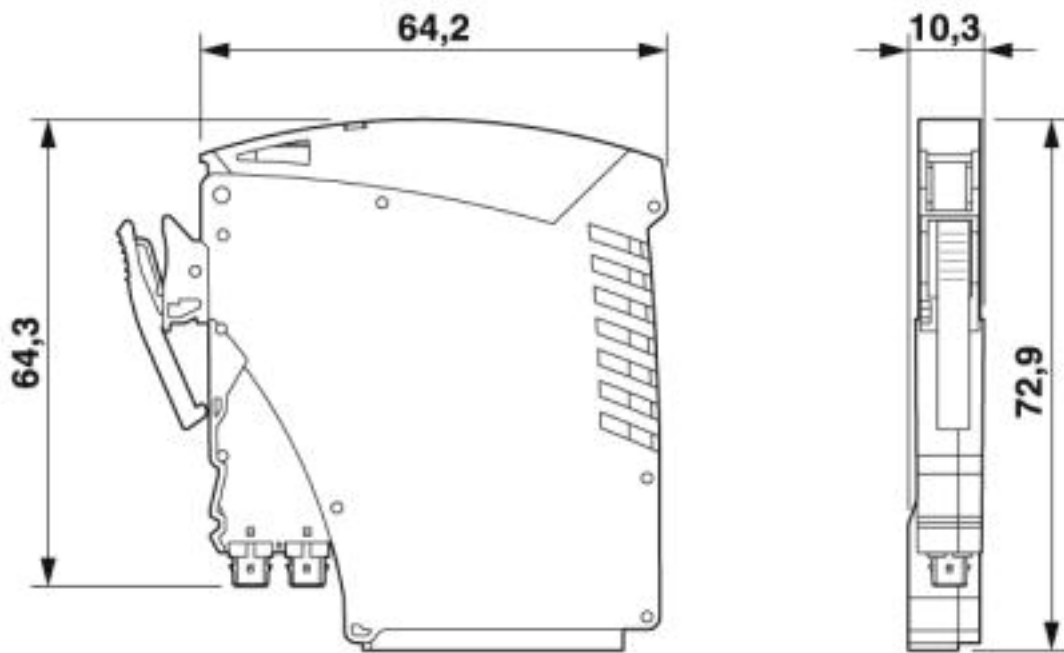
## Technical data

### Environmental Product Compliance

China RoHS	Environmentally Friendly Use Period = 50
	For details about hazardous substances go to tab "Downloads", Category "Manufacturer's declaration"

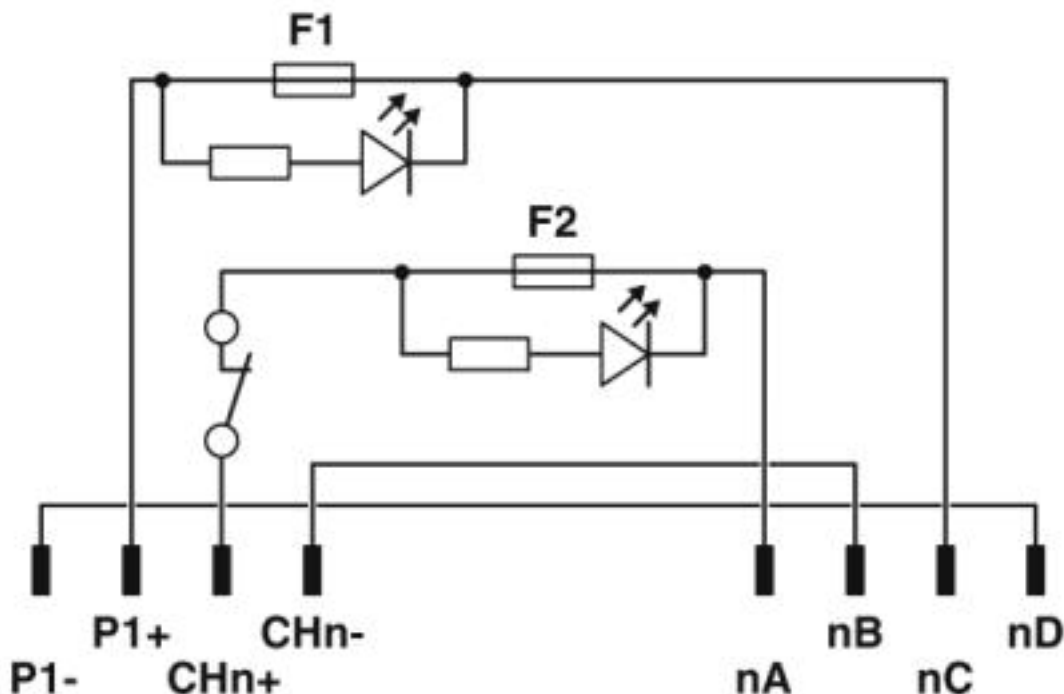
## Drawings

Dimensional drawing



# Input/output module - IOA DI/DO/BFI/DS/1.0A/EX - 2906600

Circuit diagram



## Classifications

eCl@ss

eCl@ss 4.0	27250313
eCl@ss 4.1	27250313
eCl@ss 5.0	27250313
eCl@ss 5.1	27250313
eCl@ss 7.0	27141152
eCl@ss 8.0	27141152
eCl@ss 9.0	27141152

## ETIM

ETIM 4.0	EC002780
ETIM 5.0	EC002780
ETIM 6.0	EC002780
ETIM 7.0	EC002780

## UNSPSC

UNSPSC 6.01	30211824
UNSPSC 7.0901	39121421
UNSPSC 11	39121421
UNSPSC 12.01	39121421
UNSPSC 13.2	39121421

# Input/output module - IOA DI/DO/BFI/DS/1.0A/EX - 2906600

## Classifications

### UNSPSC

UNSPSC 18.0	39121432
UNSPSC 19.0	39121432
UNSPSC 20.0	39121432
UNSPSC 21.0	39121432

## Approvals

### Approvals

Approvals

Functional Safety

Ex Approvals

IECEX / ATEX / FM approved / CSA / CSAus / cCSAus

### Approval details

Functional Safety	PHO 1609035 C001
-------------------	------------------

## Accessories

### Accessories

#### Marker pen

Marker pen - B-STIFT - 1051993



Marker pen, for manual labeling of unprinted Zack strips, smear-proof and waterproof, line thickness 0.5 mm

### Terminal marking

Marker for terminal blocks - UC-TM 6 - 0818085



Marker for terminal blocks, Sheet, white, unlabeled, can be labeled with: BLUEMARK ID COLOR, BLUEMARK ID, BLUEMARK CLED, PLOTMARK, CMS-P1-PLOTTER, mounting type: snap into tall marker groove, for terminal block width: 6.2 mm, lettering field size: 5.6 x 10.5 mm, Number of individual labels: 80

## Input/output module - IOA DI/DO/BFI/DS/1.0A/EX - 2906600

### Accessories

Marker for terminal blocks - UC-TM 6 BU - 0818344



Marker for terminal blocks, Sheet, blue, unlabeled, can be labeled with: BLUEMARK ID COLOR, BLUEMARK ID, BLUEMARK CLED, PLOTMARK, CMS-P1-PLOTTER, mounting type: snap into tall marker groove, for terminal block width: 6.2 mm, lettering field size: 5.6 x 10.5 mm, Number of individual labels: 80

Zack marker strip - ZB 5,08:UNBEDRUCKT - 0809793



Zack marker strip, Strip, white, unlabeled, can be labeled with: PLOTMARK, CMS-P1-PLOTTER, mounting type: snap into tall marker groove, for terminal block width: 5.08 mm, lettering field size: 4.98 x 10.5 mm, Number of individual labels: 10

### Necessary add-on products

Base module - VIP/S/MC/BASE 1-8/L/EX - 2906596



VIP base module with input/output accessories (IOA) provide universal channel configuration. This module has markings for channels 1-8.

Base module - VIP/S/MC/BASE 9-16/L/EX - 2906630



VIP base module with input/output accessories (IOA) provide universal channel configuration. This module has markings for channels 9-16.

Base module - VIP/S/MC/BASE 17-24/L/EX - 2907024



VIP base module with input/output accessories (IOA) provide universal channel configuration. This module has markings for channels 17-24.

# Input/output module - IOA DI/DO/BFI/DS/1.0A/EX - 2906600

## Accessories

Base module - VIP/S/MC/BASE 25-32/L/EX - 2907025



VIP base module with input/output accessories (IOA) provide universal channel configuration. This module has markings for channels 25-32.

---

Base module - VIP/S/MC/BASE 1-8/L/C/EX - 2907186



VIP base module with input/output accessories (IOA) provide universal channel configuration. This module has markings for channels 1-8 and includes conformal coating of the printed circuit board assembly.

---

Base module - VIP/S/MC/BASE 9-16/L/C/EX - 2907187



VIP base module with input/output accessories (IOA) provide universal channel configuration. This module has markings for channels 9-16 and includes conformal coating of the printed circuit board assembly.

---

Base module - VIP/S/MC/BASE 17-24/L/C/EX - 2907209



VIP base module with input/output accessories (IOA) provide universal channel configuration. This module has markings for channels 17-24 and includes conformal coating of the printed circuit board assembly.

---

Base module - VIP/S/MC/BASE 25-32/L/C/EX - 2907210



VIP base module with input/output accessories (IOA) provide universal channel configuration. This module has markings for channels 25-32 and includes conformal coating of the printed circuit board assembly.

---

## Input/output module - IOA DI/DO/BFI/DS/1.0A/EX - 2906600

### Accessories

Base module - VIP/S/D25M/BASE 1-8/L/C/EX - 2906595



VIP base module with input/output accessories (IOA) provide universal channel configuration. This module with the D-SUB 25 connector is pin compatible to the Foxboro I/A series DCS.

---

### Spare parts

Fuse set - FUSE/TE5/500MA/F-10PCS - 2905276



Plug-in fuse (TE5<sup>®</sup>); nominal current: 500 mA; tripping behavior: fast-blow (F)