

Extension module - PLC-ASC-UI-OUT - 2906920


Please be informed that the data shown in this PDF Document is generated from our Online Catalog. Please find the complete data in the user's documentation. Our General Terms of Use for Downloads are valid (<http://phoenixcontact.com/download>)



Analog output module for PLC logic modules (Generation 2 only), single-channel, signal type (4 ... 20 mA, 0 ... 20 mA, 0 ... 10 V, 2 ... 10 V) can be configured via DIP switch, screw connection



Key Commercial Data

| | |
|--------------------------------------|---|
| Packing unit | 1 pc |
| GTIN |  4 055626 155517 |
| GTIN | 4055626155517 |
| Weight per Piece (excluding packing) | 50.300 g |
| Custom tariff number | 85389099 |
| Country of origin | Germany |
| Note | Made to Order (non-returnable) |

Technical data

Dimensions

| | |
|--------|--------|
| Width | 6.2 mm |
| Height | 80 mm |
| Depth | 86 mm |

Ambient conditions

| | |
|---|------------------|
| Ambient temperature (operation) | -20 °C ... 50 °C |
| Ambient temperature (storage/transport) | -20 °C ... 70 °C |
| Degree of protection | IP20 |

Supply

| | |
|--|-----------------------------|
| Rated control circuit supply voltage U_s | 24 V DC |
| Rated control supply voltage range with reference to U_s | 0.8 ... 1.1 |
| Rated control supply current I_s | ≤ 28 mA |
| Type of protection | Reverse polarity protection |

Extension module - PLC-ASC-UI-OUT - 2906920

Technical data

Supply

| | |
|---------------------------|------------------|
| | Surge protection |
| Operating voltage display | Green LED |
| Indication | Red LED |

Input data

| | |
|------------|---------------|
| Input name | Digital input |
|------------|---------------|

Output data

| | |
|---------------------------------|---------------------------|
| Output name | Analog voltage output |
| Voltage output signal | 0 V ... 10 V |
| | 2 V ... 10 V |
| Maximum output voltage | 12.3 V |
| Ripple | < 20 mV _{PP} |
| Load/output load voltage output | 10 kΩ |
| Surge voltage protection | > 33 V |
| Maximum transmission error | 1 % |
| Output name | Analog output for current |
| Current output signal | 0 mA ... 20 mA |
| | 4 mA ... 20 mA |
| Maximum output current | 24.6 mA |
| Load/output load current output | 500 Ω (20 mA) |
| Surge voltage protection | > 33 V |
| Maximum transmission error | 1 % |

General

| | |
|-----------------------|---------------------------|
| Operating mode | 100% operating factor |
| Degree of protection | IP20 |
| Mounting position | any |
| Assembly instructions | In rows with zero spacing |

Connection data

| | |
|----------------------------------|--|
| Connection method | Screw connection |
| Stripping length | 8 mm |
| Screw thread | M3 |
| Number of connections | 4 |
| Conductor cross section solid | 0.14 mm ² ... 2.5 mm ² |
| Conductor cross section flexible | 0.14 mm ² ... 2.5 mm ² |
| Conductor cross section AWG | 26 ... 14 |

Standards and Regulations

| | |
|--------------------------|---------------------------------------|
| Designation | Air clearances and creepage distances |
| Standards/regulations | DIN EN 50178 |
| Rated insulation voltage | 50 V |

Extension module - PLC-ASC-UI-OUT - 2906920

Technical data

Standards and Regulations

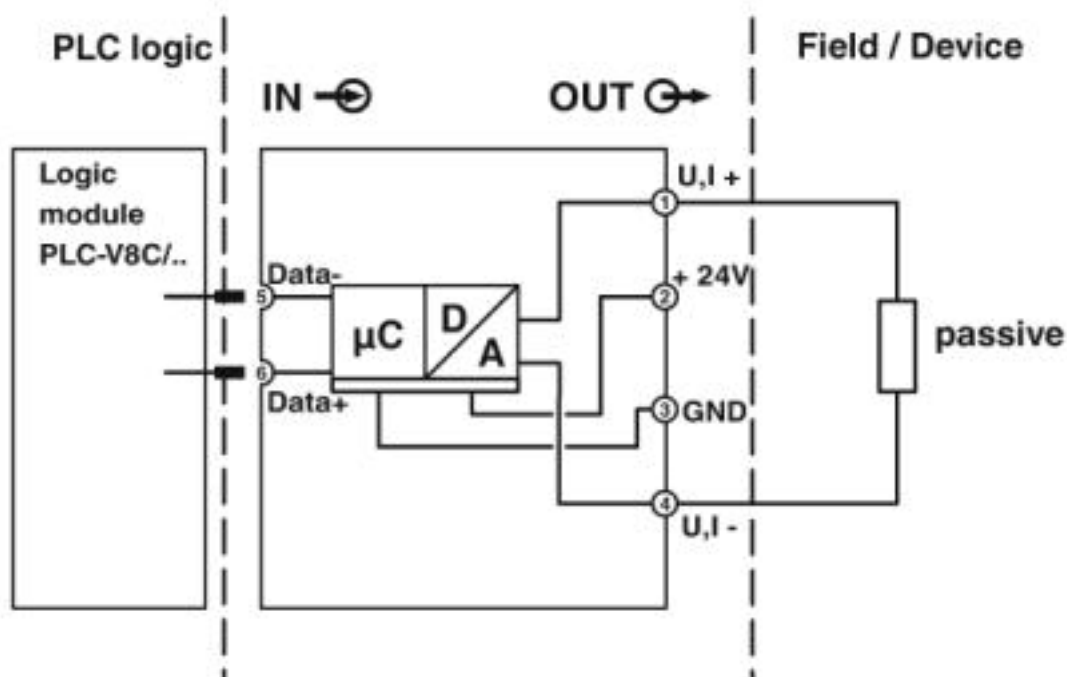
| | |
|----------------------|------------------|
| Rated surge voltage | 0.5 kV |
| Insulation | Basic insulation |
| Pollution degree | 2 |
| Overvoltage category | III |
| Conformance | CE-compliant |
| UL, USA/Canada | UL 508 Listed |

Environmental Product Compliance

| | |
|------------|---|
| REACH SVHC | Lead 7439-92-1 |
| China RoHS | Environmentally Friendly Use Period = 50 |
| | For details about hazardous substances go to tab "Downloads", Category "Manufacturer's declaration" |

Drawings

Block diagram



Classifications

eCl@ss

| | |
|------------|----------|
| eCl@ss 5.0 | 27242700 |
| eCl@ss 5.1 | 27242700 |
| eCl@ss 6.0 | 27242200 |
| eCl@ss 7.0 | 27242201 |

Extension module - PLC-ASC-UI-OUT - 2906920

Classifications

eCl@ss

| | |
|------------|----------|
| eCl@ss 8.0 | 27242201 |
| eCl@ss 9.0 | 27242201 |

ETIM

| | |
|----------|----------|
| ETIM 4.0 | EC001420 |
| ETIM 5.0 | EC001420 |
| ETIM 6.0 | EC001420 |
| ETIM 7.0 | EC001420 |

Approvals

Approvals

Approvals

UL Listed / cUL Listed / EAC / cULus Listed

Ex Approvals

Approval details

| | | | |
|-----------|--|---|---------------|
| UL Listed | | http://database.ul.com/cgi-bin/XYV/template/LISEXT/1FRAME/index.htm | FILE E 238705 |
|-----------|--|---|---------------|

| | | | |
|------------|--|---|---------------|
| cUL Listed | | http://database.ul.com/cgi-bin/XYV/template/LISEXT/1FRAME/index.htm | FILE E 238705 |
|------------|--|---|---------------|

| | | | |
|-----|--|--|----------------------|
| EAC | | | RU*DE.*08.B.01517/19 |
|-----|--|--|----------------------|

| | | | |
|--------------|--|--|--|
| cULus Listed | | | |
|--------------|--|--|--|