


Connection distributor - PSM PTK-4 - 2799364

Please be informed that the data shown in this PDF Document is generated from our Online Catalog. Please find the complete data in the user's documentation. Our General Terms of Use for Downloads are valid (<http://phoenixcontact.com/download>)

Passive RS-485 T-distributor, fitted with one 9-pin D-SUB pin strip and five 9-pin D-SUB socket strips



Key Commercial Data

| | |
|--------------------------------------|---|
| Packing unit | 1 pc |
| GTIN |  4 017918 074050 |
| GTIN | 4017918074050 |
| Weight per Piece (excluding packing) | 146.200 g |
| Custom tariff number | 85366990 |
| Country of origin | Germany |

Technical data

Dimensions

| | |
|--------|---------|
| Width | 89.8 mm |
| Height | 89.6 mm |
| Length | 39 mm |

Ambient conditions

| | |
|---------------------------------|------------------|
| Ambient temperature (operation) | -25 °C ... 70 °C |
|---------------------------------|------------------|

General

| | |
|--|------------------------------|
| Nominal voltage U_N | 60 V AC/DC |
| Nominal current I_N | 1 A |
| Bus system | RS-485 |
| Shielding | D-SUB frame |
| Test voltage | 500 V AC (50 Hz, 1 min, rms) |
| Housing material | PVC |
| Flammability rating according to UL 94 | V0 |

Connection distributor - PSM PTK-4 - 2799364

Technical data

General

| | |
|----------------|---------|
| Pin assignment | all 1:1 |
|----------------|---------|

Connection data

| | |
|---------------------|--------------------------|
| Connection | Incoming |
| Number of positions | 9 |
| Connection method | D-SUB 9 plug |
| Connection | Outgoing |
| Number of positions | 9 |
| Connection method | D-SUB-9 female connector |
| Connection | Branching |
| Number of positions | 9 |
| Connection method | 4 x D-SUB-9 socket |

Conformance/approvals

| | |
|----------------|-----|
| Designation | EAC |
| Identification | EAC |

Standards and Regulations

| | |
|---|--|
| Free from substances that could impair the application of coating | according to P-VW 3.10.7 57 65 0 VW-AUDI-Seat central standard |
| Flammability rating according to UL 94 | V0 |

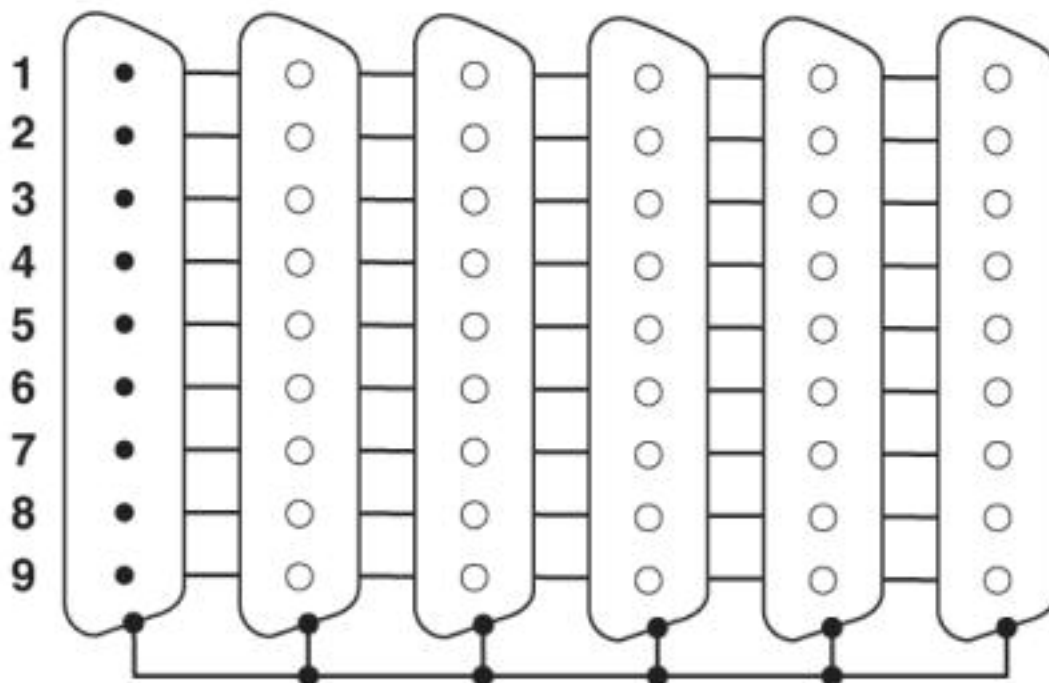
Environmental Product Compliance

| | |
|------------|---|
| China RoHS | Environmentally friendly use period: unlimited = EFUP-e |
| | No hazardous substances above threshold values |

Drawings

Connection distributor - PSM PTK-4 - 2799364

Circuit diagram



Classifications

eCl@ss

| | |
|------------|----------|
| eCl@ss 4.0 | 27230200 |
| eCl@ss 4.1 | 27230200 |
| eCl@ss 5.0 | 27242700 |
| eCl@ss 5.1 | 27242700 |
| eCl@ss 6.0 | 27242200 |
| eCl@ss 7.0 | 27242208 |
| eCl@ss 8.0 | 27242208 |
| eCl@ss 9.0 | 27242208 |

ETIM

| | |
|----------|----------|
| ETIM 2.0 | EC001423 |
| ETIM 3.0 | EC001423 |
| ETIM 4.0 | EC001423 |
| ETIM 5.0 | EC001423 |
| ETIM 6.0 | EC001423 |
| ETIM 7.0 | EC001423 |

UNSPSC

| | |
|---------------|----------|
| UNSPSC 6.01 | 30211506 |
| UNSPSC 7.0901 | 39121008 |

Connection distributor - PSM PTK-4 - 2799364

Classifications

UNSPSC

| | |
|--------------|----------|
| UNSPSC 11 | 39121008 |
| UNSPSC 12.01 | 39121008 |
| UNSPSC 13.2 | 39122114 |
| UNSPSC 18.0 | 39122114 |
| UNSPSC 19.0 | 39122114 |
| UNSPSC 20.0 | 39122114 |
| UNSPSC 21.0 | 39122114 |

Approvals

Approvals

Approvals

EAC

Ex Approvals

Approval details

| | | |
|-----|--|---------------|
| EAC | | EAC-Zulassung |
|-----|--|---------------|

Accessories

Accessories

Data plug

D-SUB bus connector - SUBCON-PLUS-PROFIB/SC2 - 2708232



D-SUB connector, 9-pos., male connector, cable entry < 35°, bus system: PROFIBUS DP up to 12 Mbps, termination resistor can be switched on via slide switch, pin assignment: 3, 5, 6, 8; screw connection terminal blocks

D-SUB bus connector - SUBCON-PLUS-PROFIB/90/SC - 2313698



D-SUB connector, 9-pos., male connector, cable entry < 90°, bus system: PROFIBUS DP up to 12 Mbps, termination resistor can be switched on via slide switch, pin assignment: 3, 5, 6, 8; screw connection terminal blocks

Connection distributor - PSM PTK-4 - 2799364

Accessories

D-SUB bus connector - SUBCON-PLUS-PROFIB/AX/SC - 2744380



D-SUB connector, 9-pos., male connector, axial version with two cable entries, bus system: PROFIBUS DP up to 12 Mbps, termination resistor can be switched on via slide switch, pin assignment: 3, 5, 6, 8; screw connection terminal blocks

D-SUB bus connector - SUBCON-PLUS 9/F - 2744241



D-SUB connector, 9-pos. female connector, two cable entries < 35°, universal type for all systems, pin assignment: 1, 2, 3, 4, 5, 6, 7, 8, 9 to one screw connection terminal block

D-SUB bus connector - SUBCON-PLUS 9/M - 2744018



D-SUB connector, 9-pos., male connector, two cable entries < 35°, universal type for all systems, pin assignment: 1, 2, 3, 4, 5, 6, 7, 8, 9 to one screw connection terminal block

D-SUB bus connector - SUBCON-PLUS-M/AX 9 - 2904467



D-SUB plug, 9-pos., pin, axial design with two cable entries, universal type for all systems, pin assignment: 1, 2, 3, 4, 5, 6, 7, 8, 9 to screw connection terminal block

D-SUB bus connector - SUBCON-PLUS-F/AX 9 - 2311797



D-SUB connector, 9-pos. female connector, axial version with two cable entries, universal type for all systems, pin assignment: 1, 2, 3, 4, 5, 6, 7, 8, 9 to screw connection terminal block
