

**Product Series:**

RJS1N1(S)-16-F-(BS/BLK)-67J

- 16mm momentary push button switch
- Flat head
- No illumination

SKU: 385

Full technical specifications available upon request\*

(2D Drawings, 3D files\*, Mechanical &amp; Electrical specifications)

**Categories:** [16mm](#), [Boat Building & Marine](#), [Door Entry / Security](#), [Metal Pushbutton Switches](#)

**Attributes**

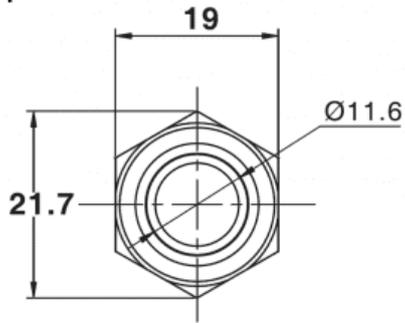
<b>IP Rating</b>	IP67 (front)
<b>Configuration</b>	1NO (SPST) [push to make]
<b># NO Contacts</b>	1
<b>Terminal Options</b>	Screw Terminals, Solder Lug Terminals
<b>Illumination</b>	No Illumination
<b>Cap / Actuator Shape</b>	Round
<b>Function</b>	Momentary Switch
<b>Panel Cut-Out Diameter</b>	Ø 16mm
<b>Product Series</b>	RJS1N1S-16, RJS1N1-16
<b>Switch Action</b>	push to make

Illustrations and drawings shown in this shortform catalogue are for guidance purposes only. \*3D files are not available on all products, PDF downloaded from [www.rjselectronics.com](http://www.rjselectronics.com).

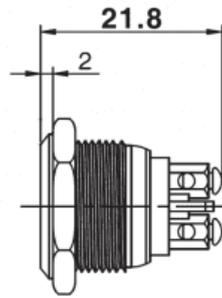


Drawing

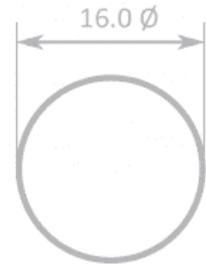
Top View



Side View



Suggested Panel Cut-out



Illustrations and drawings shown in this shortform catalogue are for guidance purposes only. \*3D files are not available on all products, PDF downloaded from [www.rjselectronics.com](http://www.rjselectronics.com).