



Differential Pressure Sensor, 0-200kPa, Isolated Construction, high static pressure 20MPa, 1.5X overpressure

PD790 Series IOT Pressure Sensors Technical Data Sheet

PD790-07M2

Features

- Pressure range 0-200kPa
- F19 mm Differential pressure sensor
- Constant current / Constant Voltage power supply
- Isolated construction, enable to measure various media
- Full stainless steel 316L
- High static pressure 20MPa
- 1.5 times overpressure

Applications

- Industrial process control
- Differential pressure measurement
- Gas, liquid pressure measurement
- Pressure checking meter
- Pressure calibrator
- Venture and eddy-current flow meter

Description

PD790-07M2 is a highly stable and reliable piezo-resistive pressure sensor with wide temperature compensation and zero correction. It contains a highly stable silicon die, stainless steel 316L housing with diameter 19 mm. The measured differential pressure is transmitted onto the silicon die through the 316L diaphragm and inner media. This transforms the measured pressure into an electrical signal.

Product Configuration

Application: Differential Pressure Sensor
Electrical Connector: 100mm Silicon rubber wires

General Specifications*

Description	Minimum	Typical	Maximum	Unit
Pressure Range	0		200	kPa
Linearity		±0.15	±0.25	% Full Scale
Repeatability		±0.05	±0.075	% Full Scale
Hysteresis		±0.05	±0.075	% Full Scale
Full Scale Output	60			mV DC
Zero Output			3	mV DC
Zero Thermal Error @25°C		±0.75	±1	% Full Scale/°C
Span Thermal Error @25°C		±0.75	±1	% Full Scale/°C
Compensated Temp Range	0		50	°C
Long Term Stability		±0.3	±0.5	%Full Scale/year
Overpressure		1.5		xFull Scale

*General Specifications hold under the following Nominal Conditions



an INFINIT® brand



Differential Pressure Sensor, 0-200kPa, Isolated Construction, high static pressure 20MPa, 1.5X overpressure

PD790 Series IOT Pressure Sensors Technical Data Sheet

PD790-07M2

*Nominal Conditions

DESCRIPTION	DESCRIPTION
Media temperature: (25±1)°C	Environment temperature: (25±1)°C
Shock: 0.1g (1m/s ²) Max.	Humidity: (50%±10%)RH
Local air pressure: (86-106)kPa	Power supply: (1.5±0.0015)mADC

Electrical Specifications

Description	Minimum	Typical	Maximum	Unit
Power Supply/Excitation Level			10	VDC
Power Supply Current			2	mA
Input Impedance	3,000		8,000	Ω
Output Impedance	3,500		6,000	Ω
Response 10%-90%			1	msec
Zero Drift/Static Pressure			±0.5	mV/MPa
Insulation Resistance 100VDC		100		MΩ
Static Pressure			20	MPa

Material Specifications

Description	Material
Diaphragm	Stainless Steel 316L
Plug Housing	Stainless Steel 316L
Pin	Silicone Rubber
O-Ring	Viton

Mechanical Specifications

Weight 0.08 lbs [36.29 g]



an INFINIT® brand

Differential Pressure Sensor, 0-200kPa, Isolated Construction, high static pressure 20MPa, 1.5X overpressure

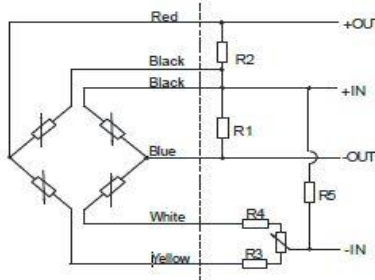


PD790 Series IOT Pressure Sensors Technical Data Sheet

PD790-07M2

Electrical Connection

Wire Color	Description
Red	+OUT
Black	+IN
Black	+IN
Yellow	-IN
White	-IN
Blue	-OUT



Note: The electrical connection method is enclosed with the products.

Environmental Specifications

Temperature (Operating)	-40°C to 125°C
Temperature (Storage)	-40°C to 125°C
Certifications	ROHS Compliant CE Compliant

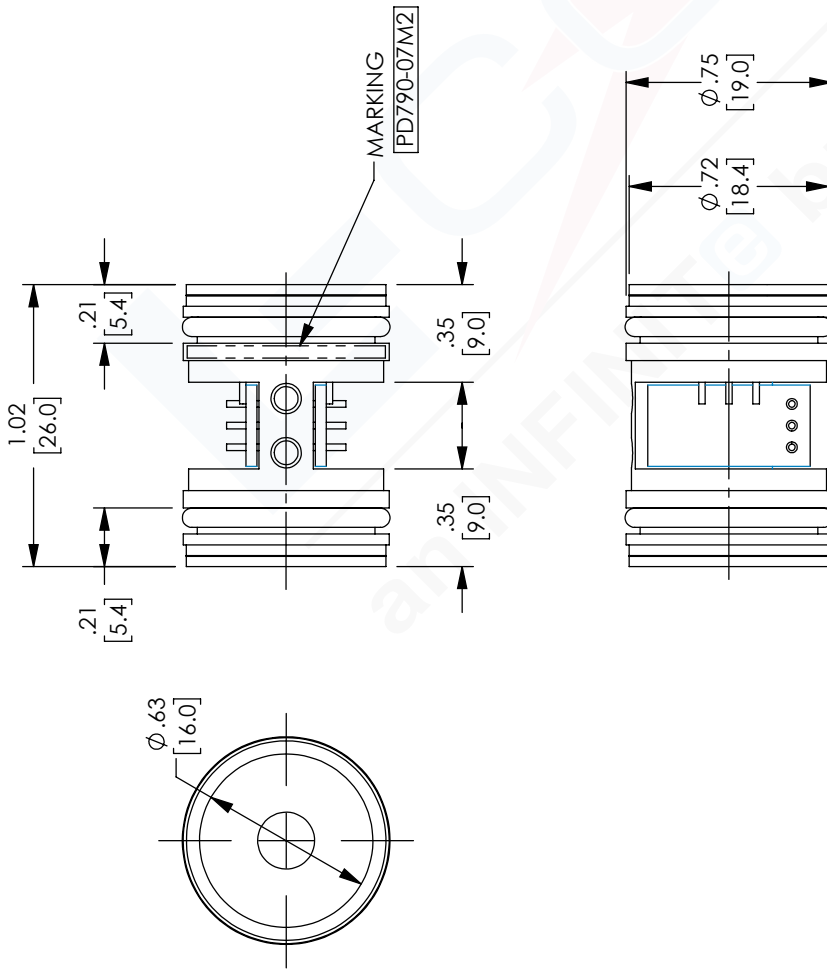
The Infinite Electronics portfolio includes coaxial cable assemblies, connectors, adapters and custom products, as well as our wireless product line which includes antennas, RF amplifiers, lightning and surge protectors, and NEMA rated enclosures.

The information contained in this document is accurate to the best of our knowledge and representative of the part described herein. It may be necessary to make modifications to the part and/or the documentation of the part, in order to implement improvements. L-com reserves the right to make such changes as required. Unless otherwise stated, all specifications are nominal. L-com does not make any representation or warranty regarding the suitability of the part described herein for any particular purpose, and L-com does not assume any liability arising out of the use of any part or documentation.

PD790-07M2 CAD Drawing

Differential Pressure Sensor, 0-200kPa, Isolated Construction,
high static pressure 20MPa, 1.5X overpressure

REV		REVISIONS		DATE		APPROVED	
REV	DESCRIPTION	DATE	APPROVED	REV	DESCRIPTION	DATE	APPROVED
A	INITIAL RELEASE	05/22/2019					
				TOTAL			



UNLESS OTHERWISE SPECIFIED LENGTH DIMENSIONS ARE IN INCHES DIMENSIONS IN [] ARE MILLIMETERS		THE INFORMATION AND DESIGN IN THIS DOCUMENT IS THE PROPERTY OF L-COM. ALL RIGHTS RESERVED.	
TOLERANCES: .XX± .2 [5.08] .XX± .01 [2.5] .XXX± .005 [1.3]	FRACTIONS ± 1/32 ANGLES ± 1°	SHEET 1 OF 1	SCALE N/A
ALL DIMENSIONS SHOWN ARE FOR REFERENCE ONLY.		DRAWN BY DZINN	
THIRD-ANGLE PROJECTION		PART NUMBER PD790-07M2	
		REV A	

www.L-com.com | e-mail: CustomerService@L-com.com
 50 High Street, West Mill, 3rd Floor, Suite #30
 North Andover, MA 01845 USA
 Phone: 1 800 341 5266 | 1 978 682 6936
 Fax: 1 978 689 9484

an INFINITI brand

SIZE [CAGE] A 43321

THESE COMMODITIES, TECHNOLOGY OR SOFTWARE WERE EXPORTED FROM THE UNITED STATES IN ACCORDANCE WITH THE EXPORT ADMINISTRATION REGULATIONS. DIVERSION CONTRARY TO U.S. LAW PROHIBITED.