

High Frequency Ceramic Solutions

3.6 GHz Band Pass Filter

P/N 3600BP15M600

Detail Specification: 10/29/2019

Page 1 of 3

General Specifications

Part Number	3600BP15M600	Impedance	50 Ω
Frequency (MHz)	3300 - 3900	Input Power	3W
Insertion Loss	1.8 dB max.	Operating Temperature	-40 to +105°C
Return Loss	9.5 dB min.	Recommended Storage Conditions	+5 ~ +35°C, Humidity 45~75%RH, 12 mos. Max*
Attenuation (min.)	15 dB @ 0.1 - 2.6 GHz	Reel Quantity	4,000
Attenuation (min.)	9 dB @ 4.4 - 6.0 GHz		
Attenuation (min.)	20 dB @ 6.0 - 9.9 GHz		

* - 1 yr shelf life in bag; 1 week shelf life out of bag; Vacuum reseal unused reel

Part Number Explanation

P/N Suffix	Packing Style	Bulk	Suffix = S	eg. 3600BP15M600S
		T & R	Suffix = E	eg. 3600BP15M600E
		Ag/Pt	Suffix = None	eg. 3600BP15M600(E or S)
	Termination style	Tin / Lead	Suffix = /Pb	eg. 3600BP15M600(E or S)/Pb

Mechanical Dimensions

	In	mm
L	0.079 ± 0.006	2.00 ± 0.15
W	0.049 ± 0.004	1.25 ± 0.10
T	0.037 ± 0.004	0.95 ± 0.10
a	0.049 ± 0.006	1.25 ± 0.15
b	0.012 ± 0.006	0.30 ± 0.15
c	0.010 + 0.006	0.25 + 0.15
g	0.014 + 0.006	0.35 + 0.15

Terminal Configuration

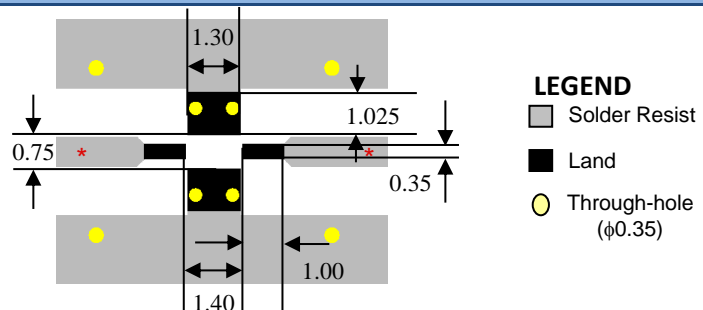
No.	Function
1	GND
2	OUT
3	GND
4	IN

Mounting Considerations

Mount these devices with brown mark facing up.

*Line width should be designed to provide 50 Ω impedance matching characteristics.

Units: mm



"High Frequency Ceramic Solutions"

3.6 GHz Band Pass Filter

P/N 3600BP15M600

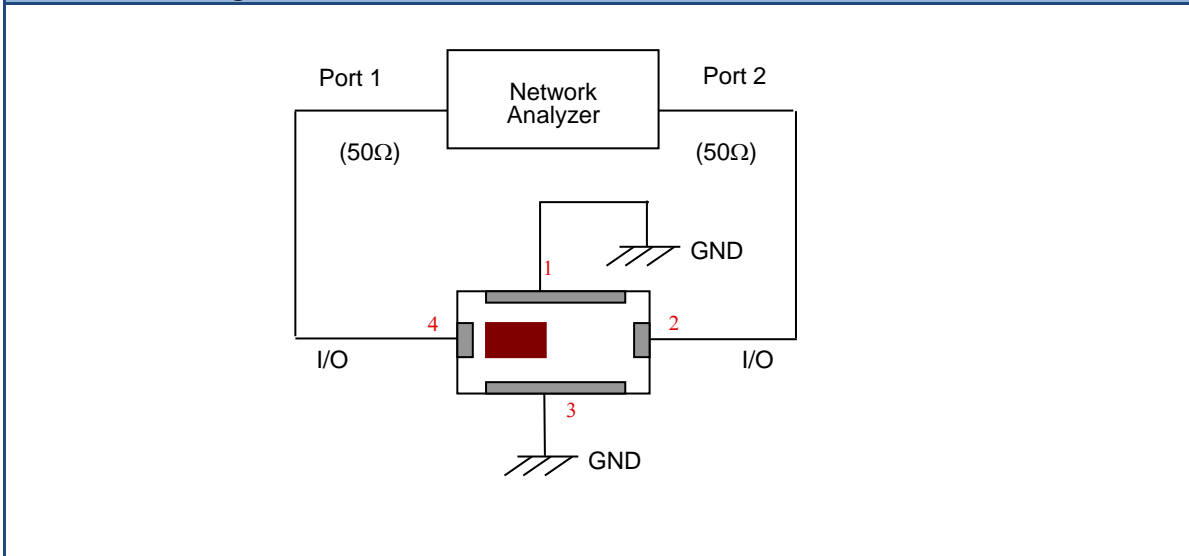
Detail Specification: 10/29/2019

Page 2 of 3

Typical Electrical Performance (T=25°C)



Measurement Diagram



Johanson Technology, Inc. reserves the right to make design changes without notice. Please confirm the specifications and delivery conditions when placing your order. All sales are subject to Johanson Technology, Inc. terms and conditions.

High Frequency Ceramic Solutions

3.6 GHz Band Pass Filter

P/N 3600BP15M600

Detail Specification: 10/29/2019

Page 3 of 3

Application Notes, Layout Files, and more

<https://www.johansontechnology.com/band-pass-filters>

Packaging information

<https://www.johansontechnology.com/tape-reel-packaging>

Soldering Information

<https://www.johansontechnology.com/ipcsoldering-profile>

MSL Info

<https://www.johansontechnology.com/msl-rating>

Recommended Storage Condition and Max Shelf Life

<https://www.johansontechnology.com/recommended-storage-conditions>

RoHS Compliance

<https://www.johansontechnology.com/rohs-compliance>

Antenna layout and tuning techniques

<https://www.johansontechnology.com/tuning>

Antenna layout review, tuning, and characterization services

<https://www.johansontechnology.com/ipc-antenna-services>