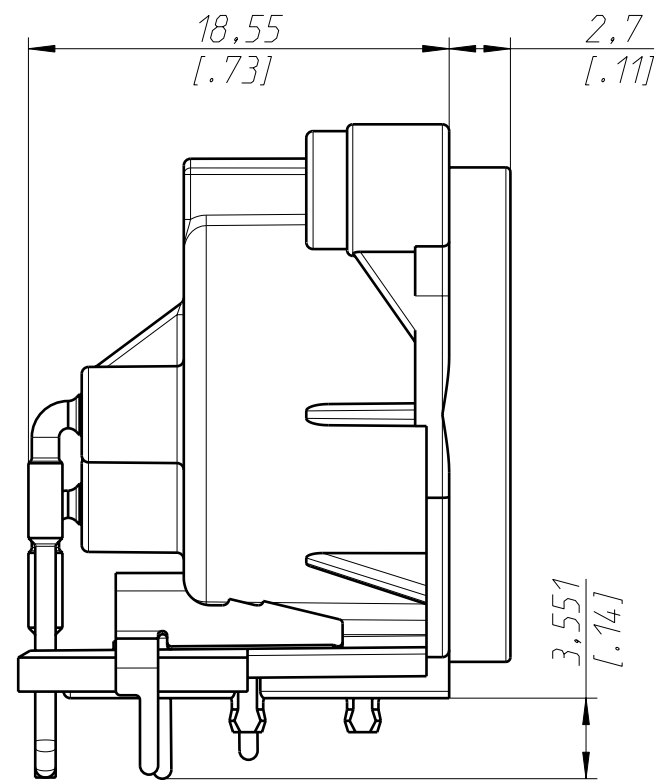
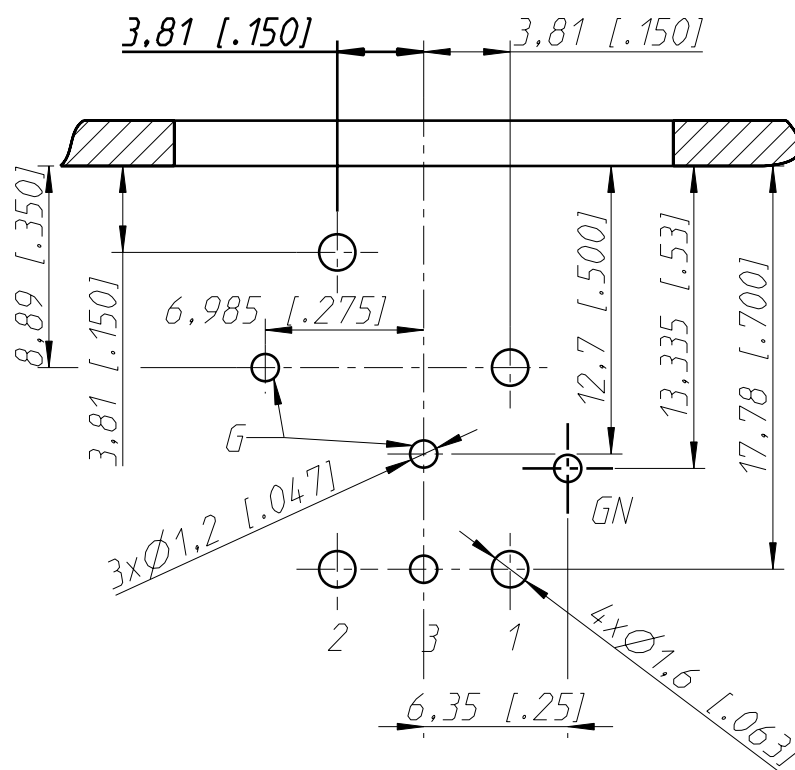
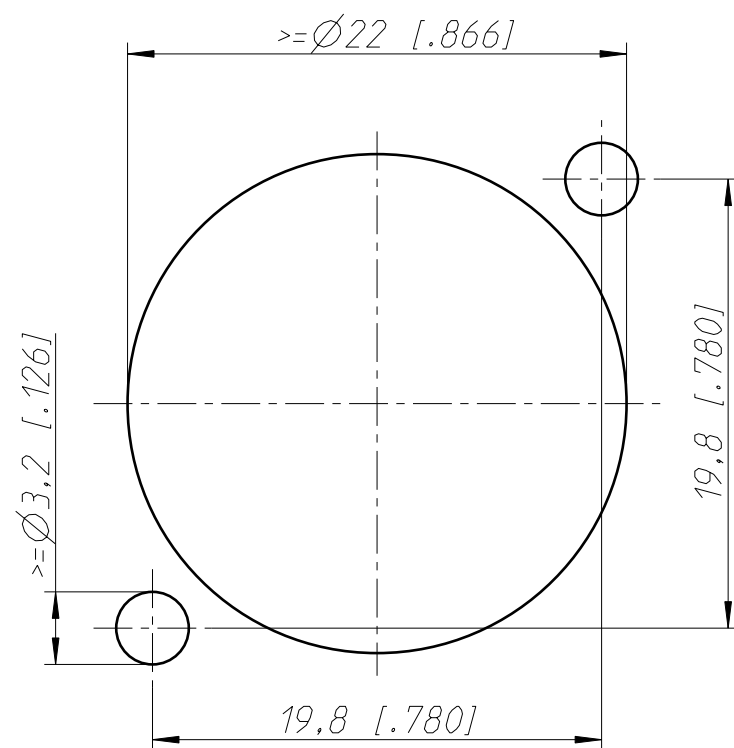
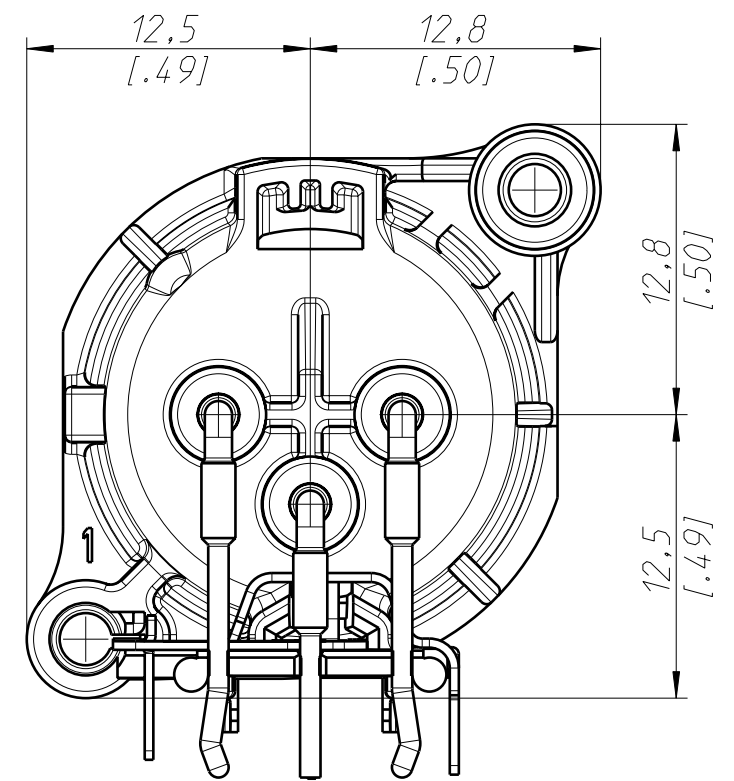


Frontplattenausschnitt (Rueckseite)  
Panel cut out (rear side)



Print Bohrplan (Bestueckungsseite)  
PCB-Layout (component side)



General tolerances ISO 2768-m	Scale	Date	Name
Refer to protection notice ISO 16016.	3:1 (A3)	13.11.2018	Fritsch
Name	NC3MAH-S	Modified	13.11.2018
	NC3MAH-S	Change-No.	Sheet-No.
		-	1 / 1
		Replacement for:	
		Drawing-No.	ST-NC3MAH-S
<b>NEUTRIK</b>			