

RP73PF1E221KBTD ✓ ACTIVE

TE Internal #: 2-2176308-2

Surface Mount Resistors, Precision Resistor, 2 Terminations, Size Code 0402, Taped & Reeled, .1%, Thin Film, Resistance Range 1k Ω – 1M Ω Ω

[View on TE.com >](#)



Passive Components > Resistors > Surface Mount Resistors



Resistor Type: **Precision Resistor**

Number of Terminations: **2**

Size Code: **0402**

Packaging Method: **Taped & Reeled**

Tolerance: **.1%**

Features

Product Type Features

Product Type	Fixed Resistor
Resistor Type	Precision Resistor
Size Code	0402
Element Type	Thin Film

Configuration Features

Number of Resistors	1
---------------------	---

Electrical Characteristics

Voltage Rating	25 V
Tolerance	.1%
Resistance Range	1k Ω – 1M Ω Ω
Resistance	221K Ω
Power Rating	.1 W

Termination Features

Number of Terminations	2
------------------------	---



Termination Type Solder

Mechanical Attachment

Mount Style Surface Mount

Dimensions

Dimensions 1 x .5 x .3 mm

Usage Conditions

Operating Temperature Range -55 – 155 °C
 Temperature Coefficient ±25 ppm/°C

Packaging Features

Packaging Method Taped & Reeled

Product Compliance

[For compliance documentation, visit the product page on TE.com>](#)

EU RoHS Directive 2011/65/EU	Compliant
EU ELV Directive 2000/53/EC	Compliant
China RoHS 2 Directive MIIT Order No 32, 2016	No Restricted Materials Above Threshold
EU REACH Regulation (EC) No. 1907/2006	Current ECHA Candidate List: JAN 2020 (205) Candidate List Declared Against: JAN 2020 (205) Does not contain REACH SVHC
EU REACH Regulation (EC) No. 1907/2006	Current ECHA Candidate List: JAN 2020 (205) Candidate List Declared Against: JAN 2020 (205)
Halogen Content	Low Halogen - Br, Cl, F, I < 900 ppm per homogenous material. Also BFR/CFR/PVC Free
Solder Process Capability	Reflow solder capable to 260°C

Product Compliance Disclaimer

This information is provided based on reasonable inquiry of our suppliers and represents our current actual knowledge based on the information they provided. This information is subject to change. The part numbers that TE has identified as EU RoHS compliant have a maximum concentration of 0.1% by weight in homogenous materials for lead, hexavalent chromium, mercury, PBB, PBDE, DBP, BBP, DEHP, DIBP, and 0.01% for cadmium, or qualify for an exemption to these limits as defined in the Annexes of Directive 2011/65/EU (RoHS2). Finished electrical and electronic equipment products will be CE marked as required by Directive 2011/65/EU. Components may not be CE marked. Additionally, the part numbers that TE has identified as EU ELV compliant have a maximum concentration of 0.1% by weight in homogenous materials for lead, hexavalent chromium, and mercury, and 0.01% for cadmium, or qualify for an exemption to these limits as defined in the Annexes of Directive 2000/53/EC (ELV). Regarding the REACH Regulations, TE's information on SVHC in articles for this part number is still based on the European Chemical Agency (ECHA) 'Guidance on requirements for

substances in articles' (Version: 2, April 2011), applying the 0.1% weight on weight concentration threshold at the finished product level. TE is aware of the European Court of Justice ruling of September 10th, 2015 also known as O5A (Once An Article Always An Article) stating that, in case of 'complex object', the threshold for a SVHC must be applied to both the product as a whole and simultaneously to each of the articles forming part of its composition. TE has evaluated this ruling based on the new ECHA "Guidance on requirements for substances in articles" (June 2017, version 4.0) and will be updating its statements accordingly.

Compatible Parts



TE Model / Part # 1-2176092-8
RP 2A 0.25W 1K0 0.1% 25PPM 1K RL



TE Model / Part # 2176093-5
RP 2A 0.25W 10K 0.1% 25PPM 1K RL



TE Model / Part # 1625867-2
RP 1J 0.166W 10K 0.1% 25PPM 1K RL



TE Model / Part # 2176308-5
RP 1E 0.1W 147K 0.1% 25PPM 5K RL



TE Model / Part # 2-2176308-7
RP 1E 0.1W 249K 0.1% 25PPM 5K RL

Customers Also Bought



TE Model / Part #2176050-7
RLP73M 1E R091 5% 5K RL



TE Model / Part #2176308-3
RP 1E 0.1W 140K 0.1% 25PPM 5K RL



TE Model / Part #7-2176306-3
RP 1E 0.1W 6K49 0.1% 25PPM 5K RL



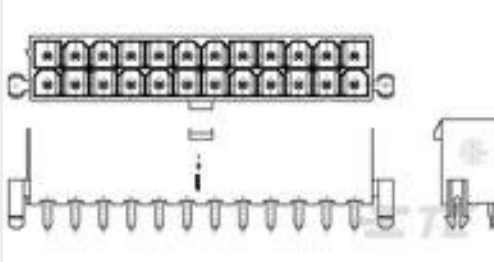
TE Model / Part #5406533-5
INV MOD JACK,1X1,LED (G/G)



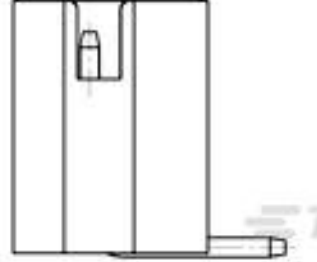
TE Model / Part #4-1825059-0
ADF08SATR04=DIP,FLUSH,SMT-JL



TE Model / Part #5-104178-5
08 SYS 50 HDR SRST UNSHRD SN



TE Model / Part #1-2029265-6
16P VAL-U-LOK VRTHDR W/PGS GW



TE Model / Part #1775470-7
HPI CONN., 2.0MM, V/T, SMT, 7P, 80U"

Documents

Product Drawings



RP 1E 0.1W 221K 0.1% 25PPM 5K RL

English

CAD Files

3D PDF

3D

Customer View Model

[ENG_CVM_CVM_2-2176308-2_BA.2d_dxf.zip](#)

English

Customer View Model

[ENG_CVM_CVM_2-2176308-2_BA.3d_igs.zip](#)

English

Customer View Model

[ENG_CVM_CVM_2-2176308-2_BA.3d_stp.zip](#)

English

By downloading the CAD file I accept and agree to the [Terms and Conditions](#) of use.

Datasheets & Catalog Pages

RP73-0915

English